

**barbaric**



# Wood handling







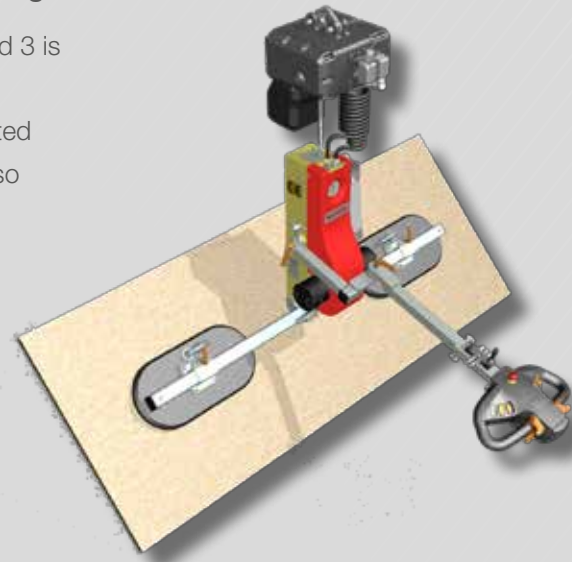
**uniWood Lifter Series**

Our standard lifter series for most commonly used wood board materials. Next to their lightweight and compact build these lifters convince with great ergonomics and maximum safety.

ideas that move.

**The standard lifter for wood handling**

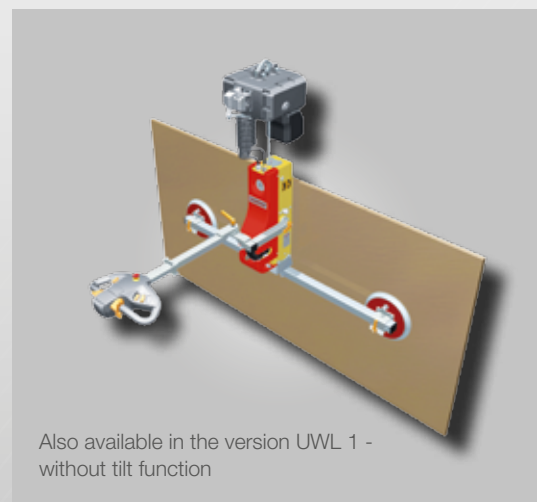
With its 90 ° tilting function, our uniWood 3 is particularly versatile in the field of wood production, as boards can be manipulated both upright and horizontal. The lifter also impresses with its light, slim design and particularly easy operation. In addition to most commonly used coated wood materials, the uniWood 3 is also ideal for handling air-permeable panels (OSB, chipboard, MDF over 8 mm thickness) and materials with a slightly textured surface.



**Other features**

- > Adjustable control handle
- > compact design and low build height
- > Load capacity: max. 250 kg
- > Special operation handle for one-hand operation
- > Hoist: continuously, max. 10 m/min.

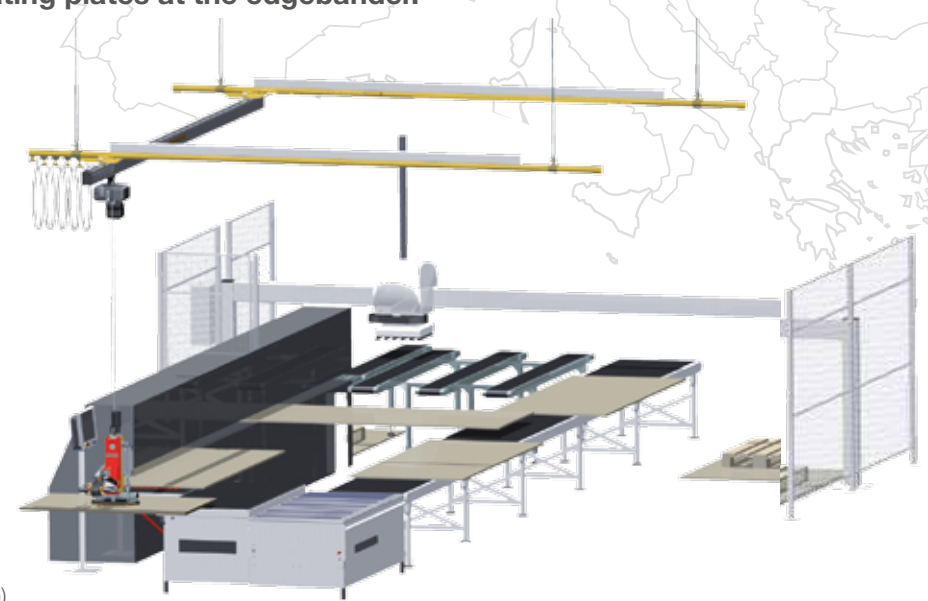
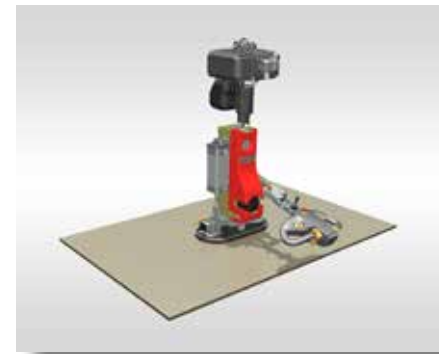
In combination we offer multiple versions of crane or rail systems for a complete handling solution.



Also available in the version UWL 1 - without tilt function



**The perfect complement for manipulating plates at the edgebander.**



> Version UWL 3S - with tilt function (also available in the version UWL 1S (without tilt function))

**Panel handling made easy**

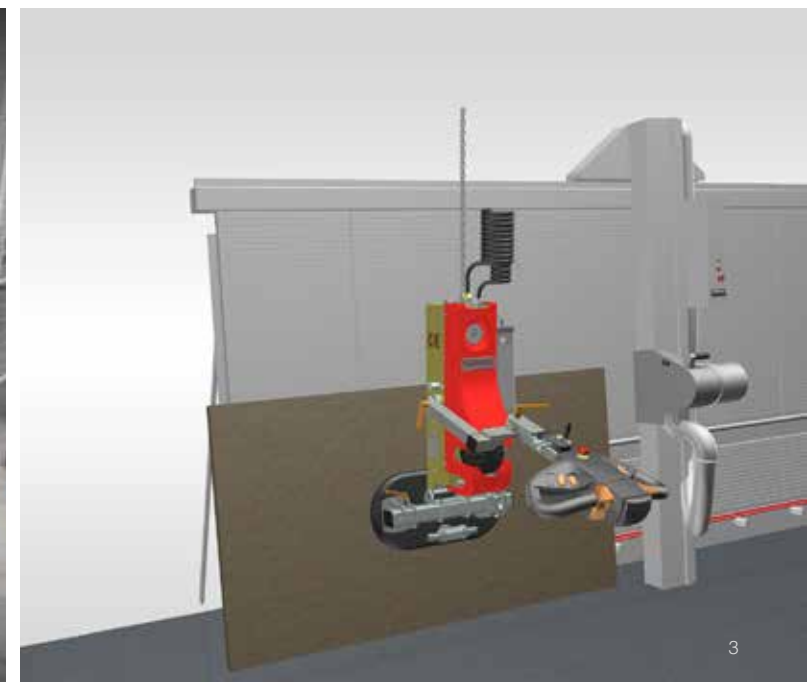
With its slim and compact design with low mass the uniWood 3S is ideal for quick handling of plates on all processing machines.

The load suspension with only one suction cup allows the lifting of parts of all sizes. Also structured and glossy surfaces can be gripped easily and without damage. Included is a 90° tilting device for vertical picking up and placement of the parts.

**Universally applicable**

With this system, the feeding of edgebanders and stationary panel saws with only one operator is possible. The uniWood 3S is an ideal complement for handling of large special parts that can not be transported by the standard return system.

- > Load capacity: max. 200 kg
- > Special operation handle for handling by one hand
- > Hoist: continuously, max. 10 m/min.





The special handling system with narrow construction for vertical and horizontal transport of doors.

### Characteristics

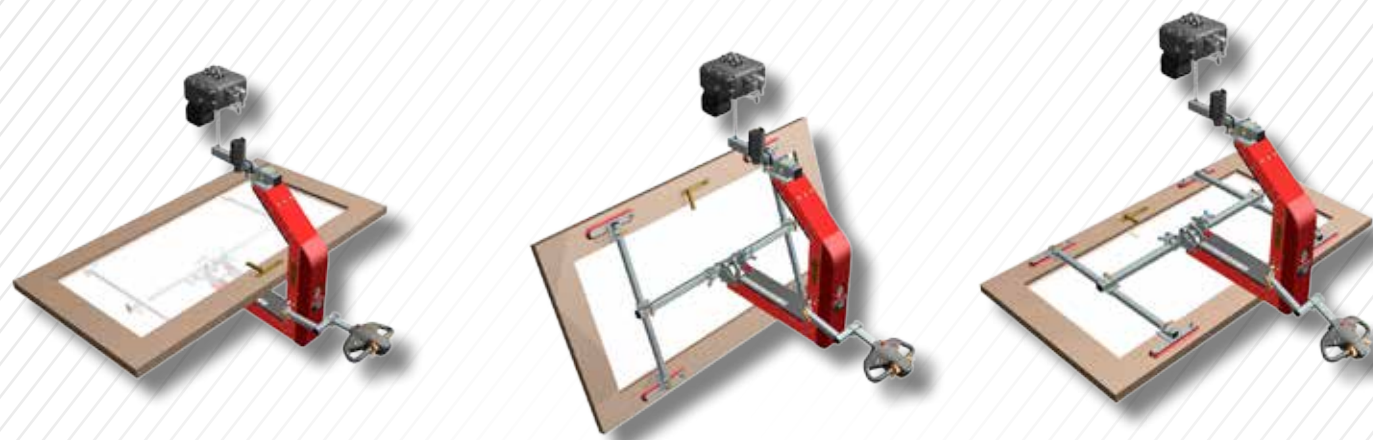
- > Tilting of parts 180° horizontal
- > Continuously variable tilting speeds
- > Complete handling system with lifting gear
- > One-handed operation through ergonomic handle
- > Continuous and smooth movements
- > Manual adjustment of the center of gravity



### Technical data

- > Load capacity: 220 kg / 250 kg
- > Tilting speed: approx. 6 sec./90°
- > Size of suction cups: 4x or 6x 377 x 81 mm  
Special versions on request
- > Lifting speed: 0-10 m/min continuously variable through frequency converter
- > Lifting height: approx. 2.0 m
- > Operating voltage: 230 V / 50 Hz

### Special 180° tilting function for part flipping



The safety innovation for your Barbaric handling system.



Also available as an UPGRADE KIT for existing handling solutions!

An innovative Upgrade for your handling system.

The safetyKit vastly increases user safety and adds a ton of other features to the handling system as well.

Main advantages at a glance:

- > Maximum safety for the operator
- > Pressure and vacuum monitoring
- > Weight sensor for load observation
- > Eco mode (compressed air saving function)
- > Automatic test of suction performance and tightness
- > Even easier handling
- > Detailed error logs & statistical Analysis of lifter data
- > Service and maintenance infos







## Handling of cut or dried planks.

The special lifting device for moving whole posts, KVH, sections such as squadrons or rough sawn boards by a server.

Delivery incl. chain hoist or for hooking into an on-site hall crane.

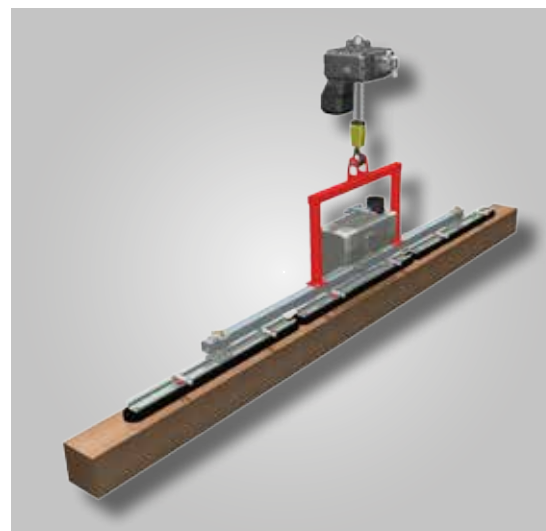
Power supply by supply to the customer's indoor crane (400 V, 3 phases) due to the built-in transformer possible. Thus, no additional cable is necessary. The control can be carried out via a control handle, wired or by radio.



## Technical data

- > Load capacity: up to 1500 kg
- > Operating voltage: 230 V / 50 Hz or (400 V / 50 Hz via transformer)
- > Functions are displayed by means of lamps and pressure gauges

Special solutions, for example: Control via customer crane operation and higher working loads on request.

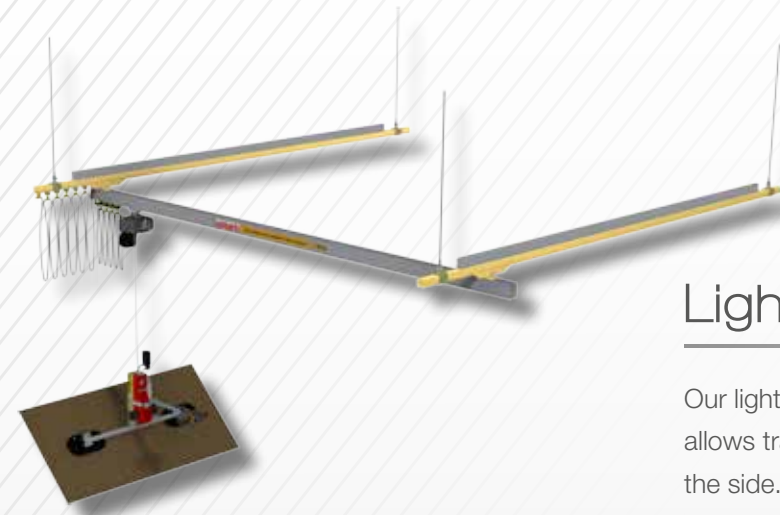
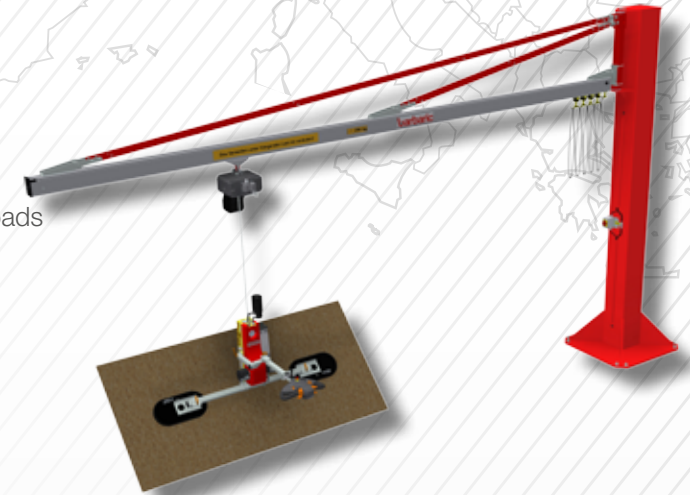


# Crane- and craneway systems

Combining high performance with ease of use. Our crane systems are specifically designed and built for handling tasks.

## Pillar jib crane SSK

Slewing crane systems in lightweight construction for all working loads and arm lengths. On request with enlarged mounting plate.

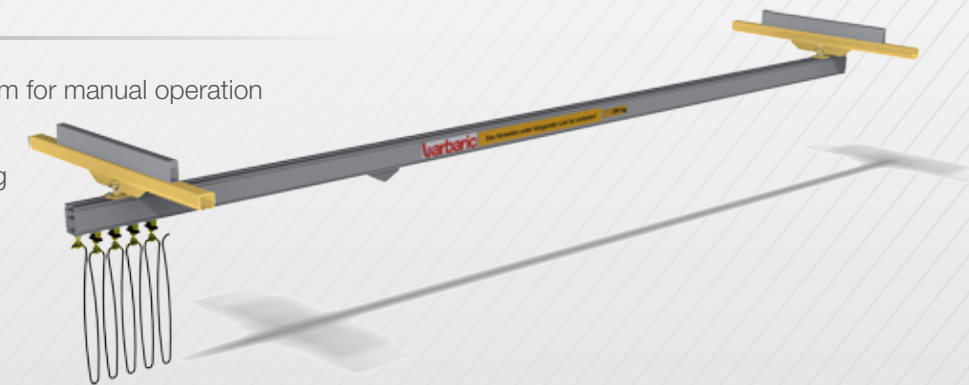


## Light craneway system SSY

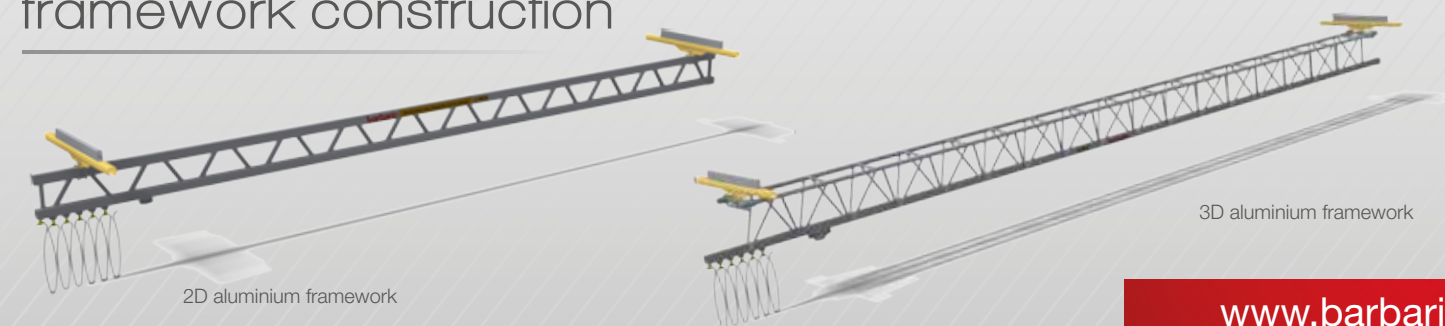
Our lightweight aluminium craneway system for manual operation allows track gauges of up to 8 m. All trolleys with guide rollers on the side.

## Craneway system with aluminium bridge

Our lightweight aluminium craneway system for manual operation allows track gauges of up to 20 m and working loads of up to 500 kg – combining high performance with maximum ease of use.



## Bridges with framework construction





## Storage and retrieval of panels out of a shelf rack on the standing panel saw.

### Design

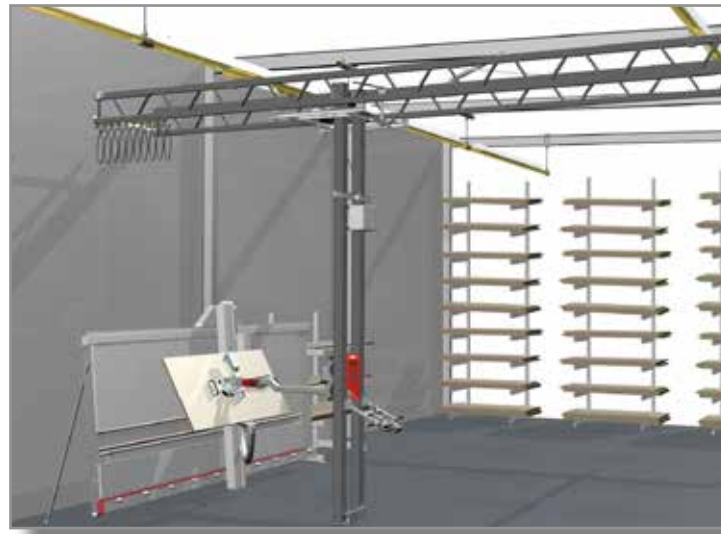
- > rail system with dual bridge construction
- > lift mast rotating 360°
- > lightweight aluminium profiles as carriage guideways
- > special lifting traverse for panel separation

### Electrical control

All control elements are located in our unique control handle. Separate holds on the framework are used for manipulator guiding and rotating.

### Security features

The system is equipped with a security unit avoiding unintentional release of the load. Panels only can be released when the weight of the panel is supported by the rack shelf or another plain surface. For additional safety a pressure gauge and an alarm horn are installed on the device.

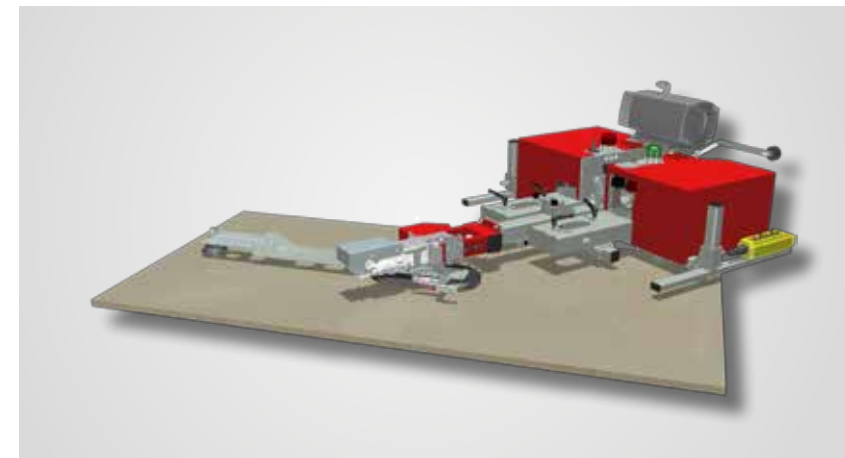


## Manipulator for use on all standard pallet trucks and forklifts.

Ideal for large manipulation areas and maximum mobility for handling panels or parts.

Design: Built in batteries for power supply and fork fixation clamps for a strong secure hold.

- > Incl. 90° tilt mechanism
- > 90° manual turning function
- > Load capacity: max. 100 kg
- > Optional: electrical turning 90°
- > Optional: Increased load capacity to max. 250 kg



### Technical data

- > Load capacity: max. 100 kg
- > Lifting speed: max. 10 m/min (continuously variable due to frequency conversion)
- > Vacuum generation: with electrical vacuum pump (25 m³/h)
- > Operating voltage: 230 VAC / 50 Hz
- > Tilting device: 90°
- > Rotating device: 90° (manual rotation)
- > Span: up to 12 m
- > Lifting height: up to 8 m
- > Lifting mast: 360° rotatable, not endless
- > Display on the operating handle - camera mounted on the lifting carriage

### Optional features

- > Increased load capacity to 250 kg
- > Vacuum generation: by ejector (6 bar compressed air required)
- > Endless turning of the lifting mast
- > Electrically driven crane bridge
- > Pneumatic brake for turntable (6 bar compressed air required)
- > Custom made beams
- > Electric turning 90°





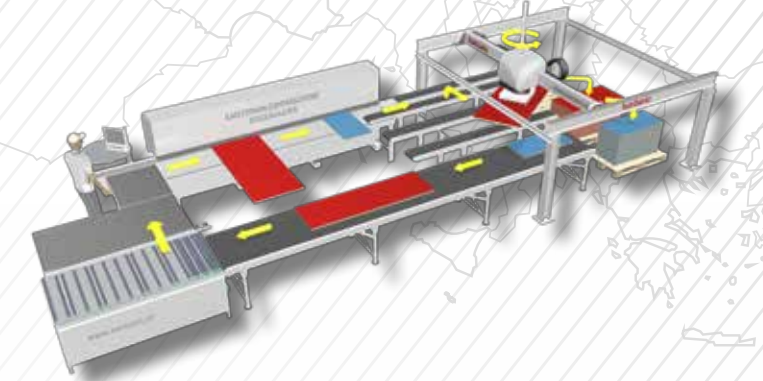
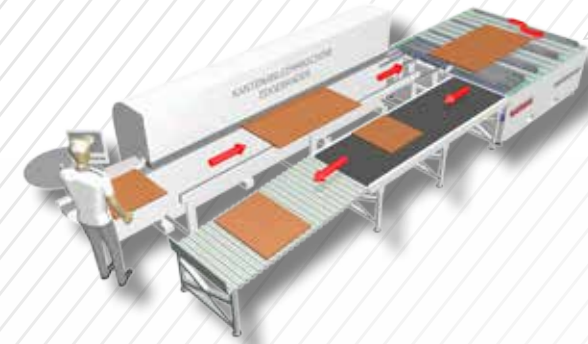
# Panel and parts handling for craft producers and industry

We offer the ideal handling solution – not only with our manual vacuum lifters. Besides our lifter series we develop sophisticated automatic systems for wood panel and part handling for either medium-sized wood production or industrial applications.



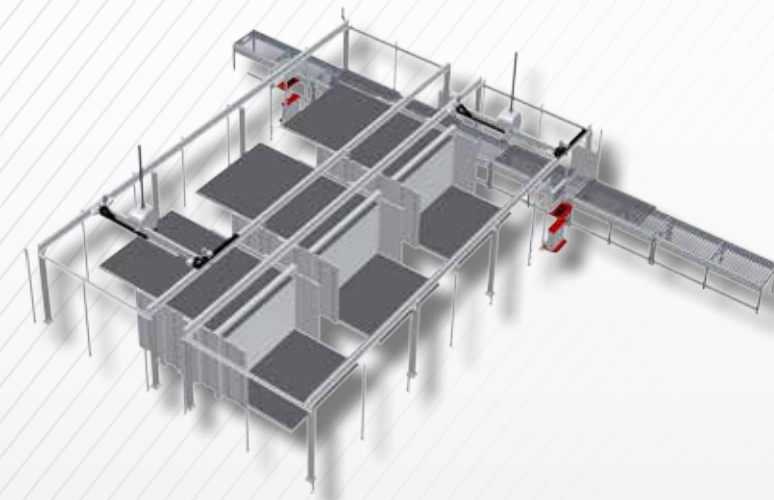
## Return systems RTS

Return systems for edge banding machines with and without destacking function



## Buffer storage PBX

Buffering of parts in furniture production



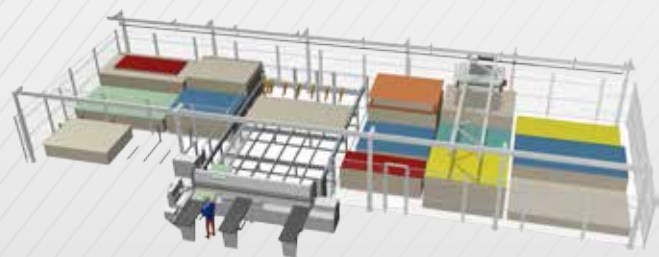
## Door manipulator TMP

Optimization of production processes in the door production



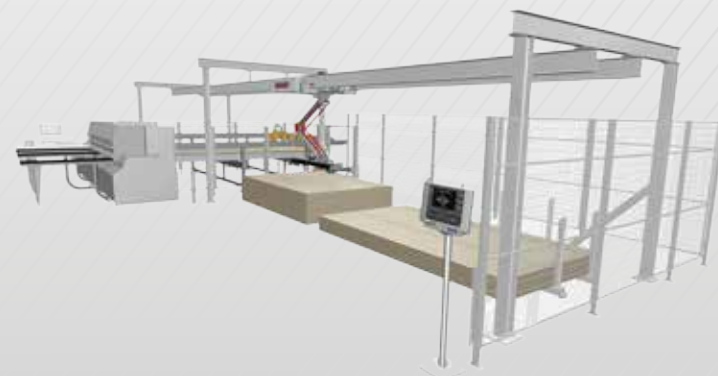
## Storage system CSF

Plate storage in individual leads



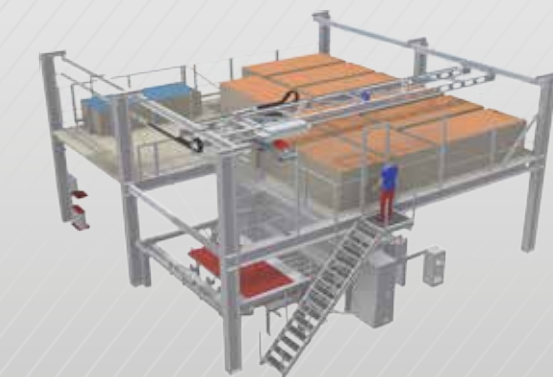
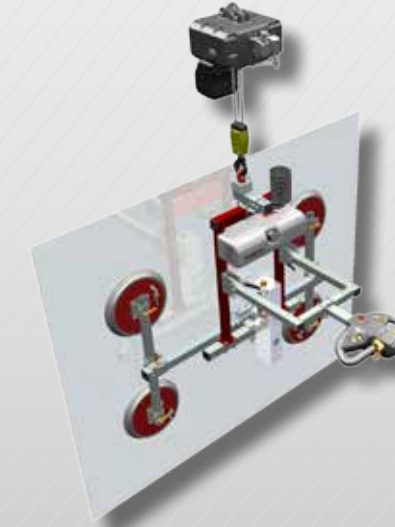
## Feeding system LCV

Simple solution for panel feeding



## Manual handling solutions in the glass and window industry

Vacuum lifting devices for manipulating glass panels, windows and ISO panels. Versions as standard lifter, safety lifter or as battery lifter for construction site operation.



Ideas that move.



# barbaric

## Headquarters

**Barbaric GmbH**  
Pummererstr. 12  
4020 Linz, Austria  
Phone: +43 732 779800  
e-mail: office@barbaric.at

## Production site

**Barbaric GmbH**  
Lichtenberger Str. 37  
4201 Eidenberg, Austria

## Sales locations

**barbaric**  
Germany

**Barbaric GmbH Germany**  
Lammgasse 7  
75382 Althengstett, Germany  
Phone: +43 732 779800  
email: office@barbaric.at

**barbaric**  
North America

**Barbaric North America Inc.**  
301 Kitty Hawk Drive  
US-27560 Morrisville  
Phone: +19194252803  
email: info@barbaric.us

