

Linearly guided pressing frame



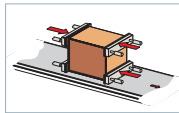
Operating panel



Crossing lamellas



Pressing cheeks with tolerance compensation



## MPH 410 - *BASIC* - Solid Equipment at a Low Price

**This versatile and torsion-free carcass clamp was particularly developed for the efficient and flexible utilization in the field of craftsmen, in the interior finishing work as well as for the industrial special-purpose production.**

- No positioning of the pressing elements required
- All-over pressing for best quality in your carcass assembly
- Pressing surfaces with tolerance com-

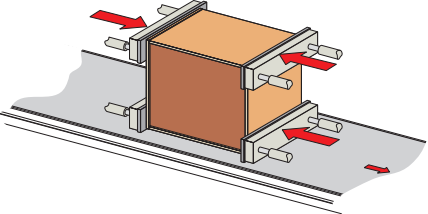
pensation, thanks to that compensation of workpiece tolerances and absolutely tight carcasses

- Highly stiff pressure unit, absolute rectangularity of your furniture is guaranteed
- Simplified drive concept
- No air connection required
- Simplest operation by means of push-buttons

MPC 410  
MPC 300  
MPC 100  
MDE 160  
MDE 120  
MPH 510  
MPH 450  
**MPH 410**



**HOMAG Automation GmbH**  
Ligmatech Str. 1  
09638 Lichtenberg  
Germany  
[www.homag-automation.com](http://www.homag-automation.com)



# MPH 410 - *BASIC* - Solid Equipment at a Low Price

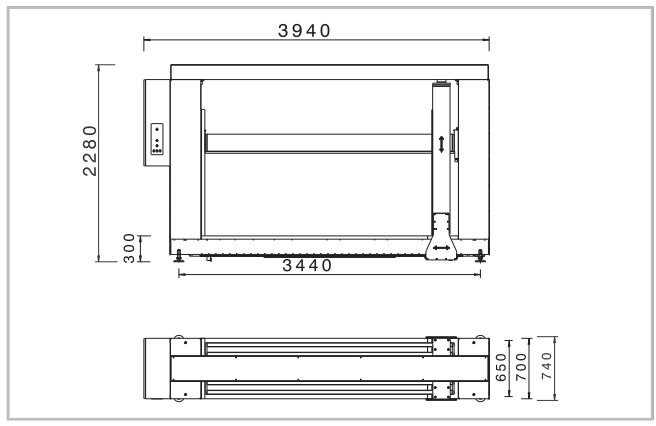
The basic machine consists out of a solid, buckling resistant welded construction. Horizontal and vertical pressure frame are designed as crossing, buckling resistant lamellas.

The pressing surface is covered with full floating plywooden plates. Thereby workpieces tolerances can be compensated to achieve completely closed cabinets.

Movement of pressure frames is effected by self-impending trapezoidal spindles and frequency contolled motors with two speeds.

The pressure frames are guided by solid linearguides.

The carcasses are pressed centrally.



	MPH 410
corpus length	250 - 2,500 mm
corpus depth	250 - 700 mm
corpus height	150 - 1,400 mm
press capacity, vertical / horizontal	15 KN (optional 12 - 18 kN)
fast motion	no (optional 50 mm/s)
slow motion	25 mm/s
working height	300 mm
weight	2.2 t
pneumatics	none
transport interface	no
control	contactor control



### Comfort package

Consists of following upgrades:

- variable press capacity
- 2 movement speeds (fast and slow motion)



**lifeline | service**

- **eparts** Spare parts ordering online - around-the-clock !