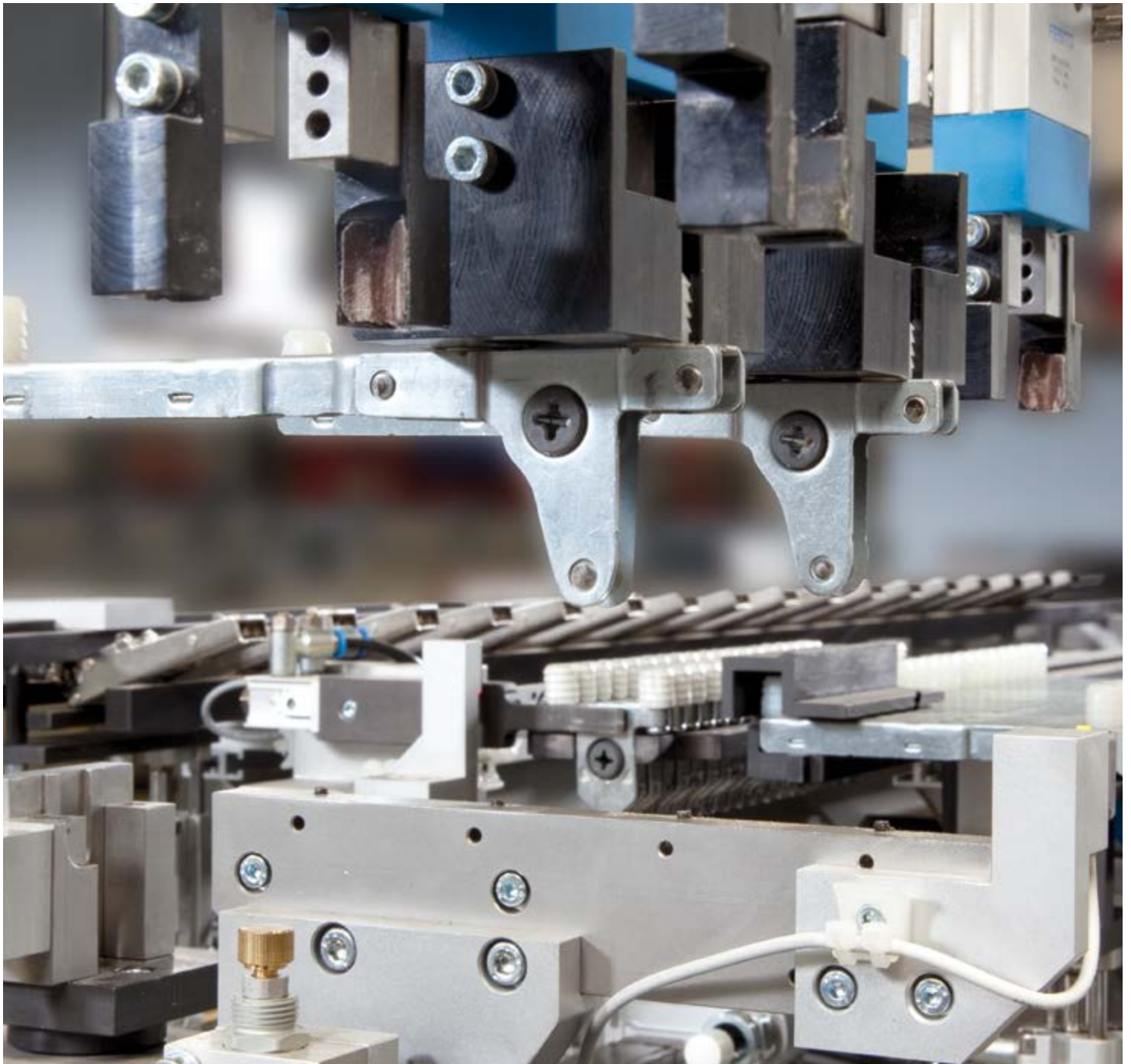


Front Processing Center  
ABF 600 profiLine







## ABF 600 – Gentle handling of your fronts

You may really entrust us with the most precious elements of your furniture: the fronts. Our CNC-controlled front processing treats them exactly as it should be – gently, professionally and efficiently. Regardless, whether the fronts are to be drilled or provided with fittings – or both.

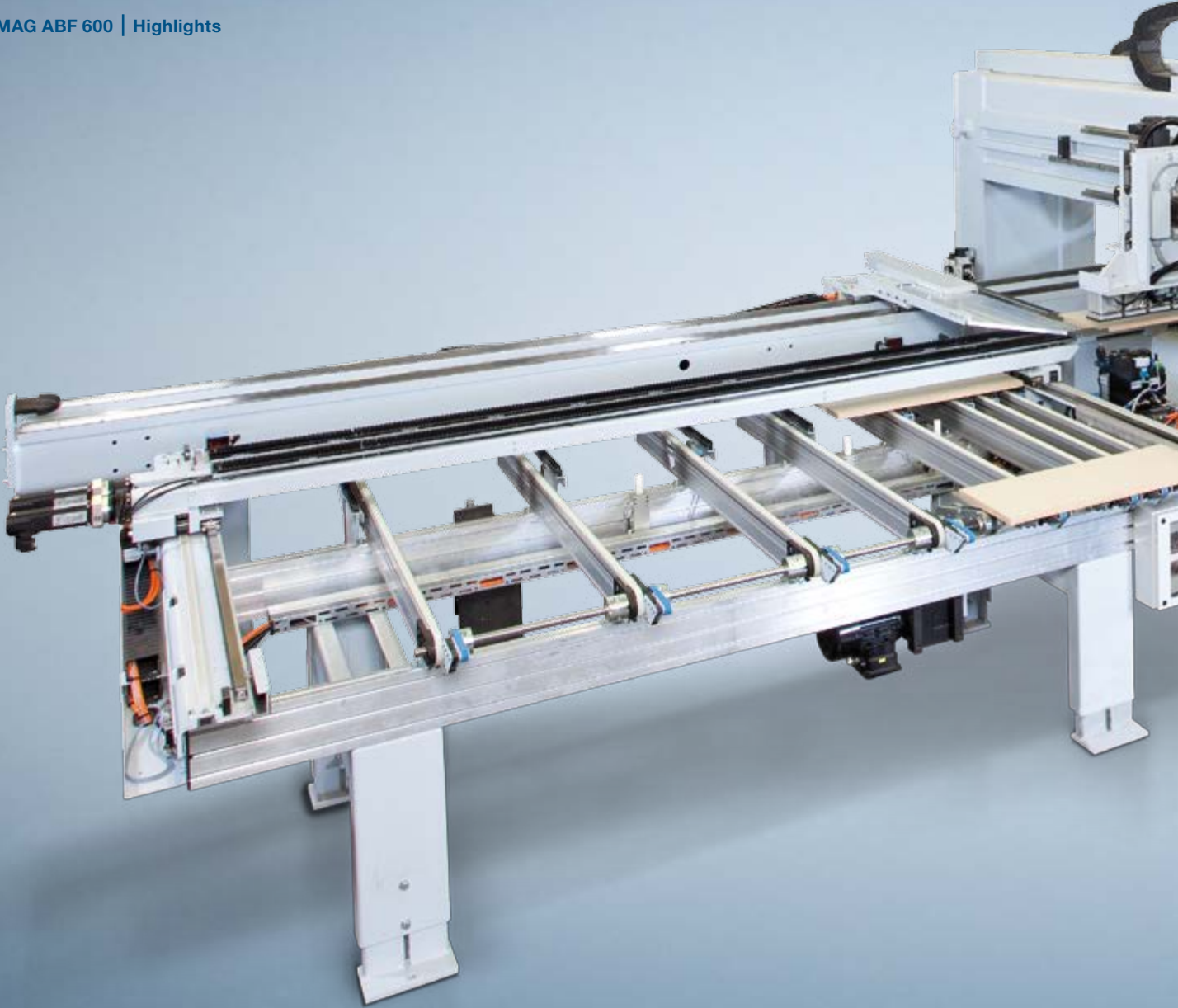
Fast workpiece transport – gains time  
Smooth handling – gains quality  
Precise processing – gains impression

The Result: **YOUR SOLUTION**

### Contents

- 04 ABF 600 | Highlights
- 06 The equipment types
- 10 Software
- 11 Technical Data

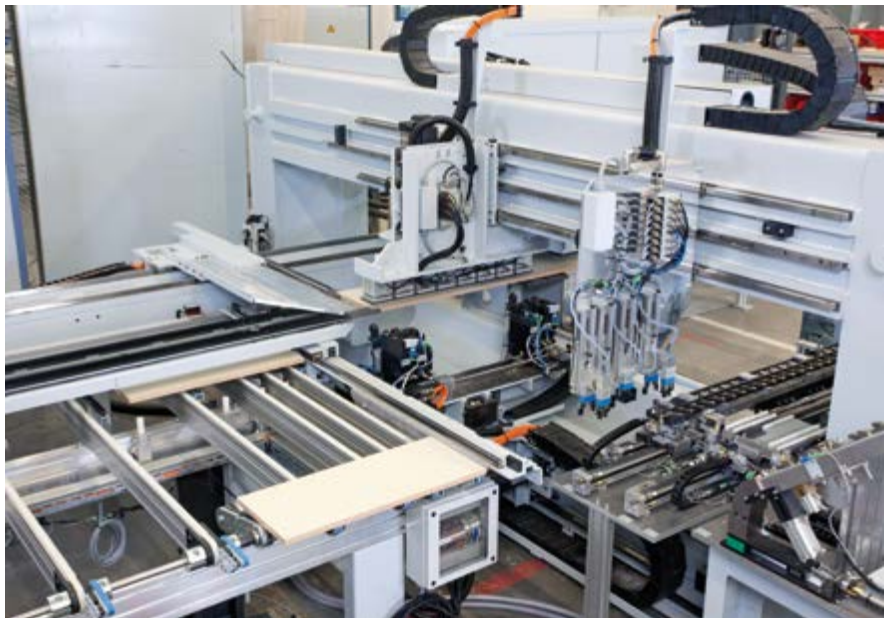
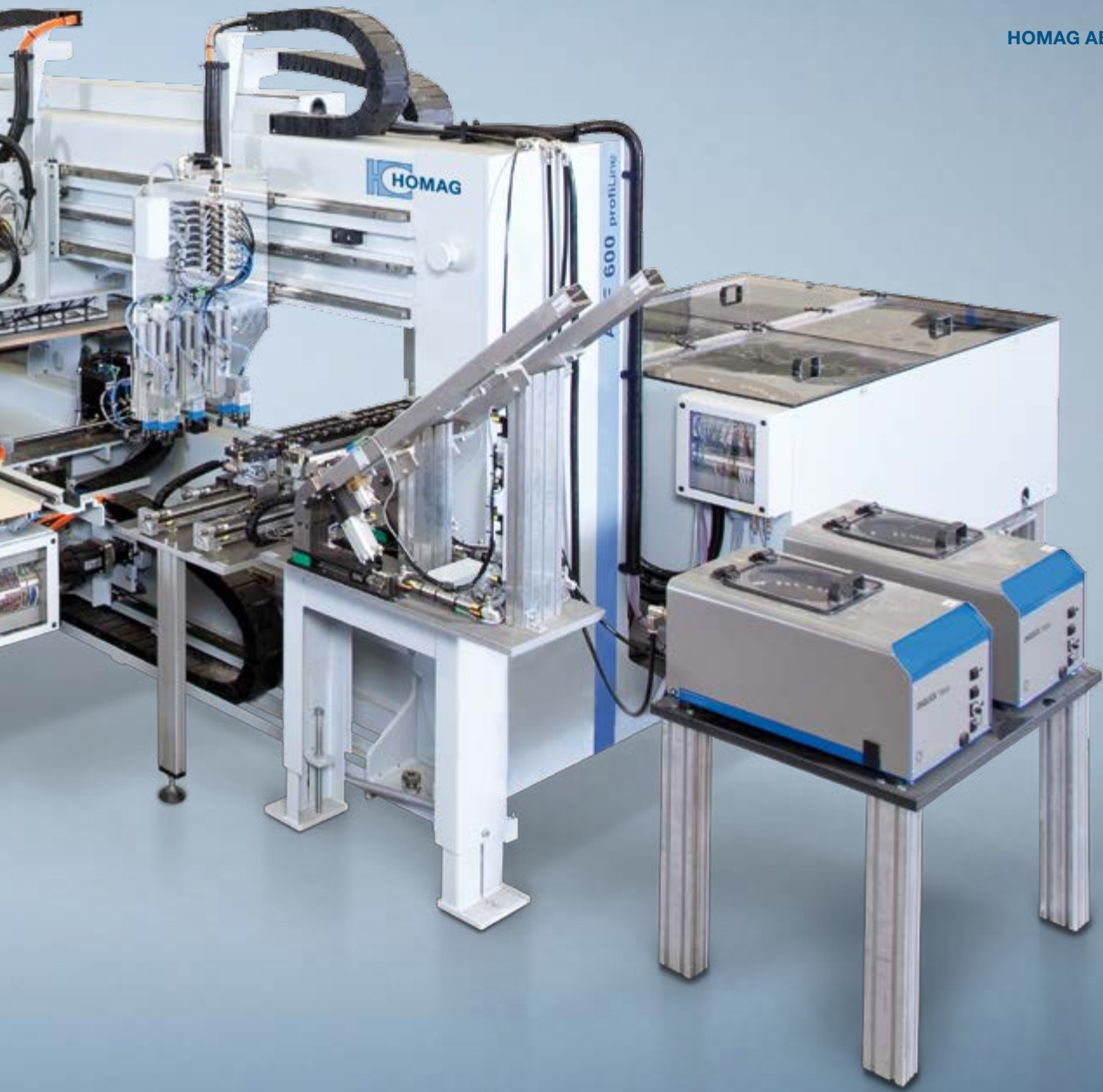




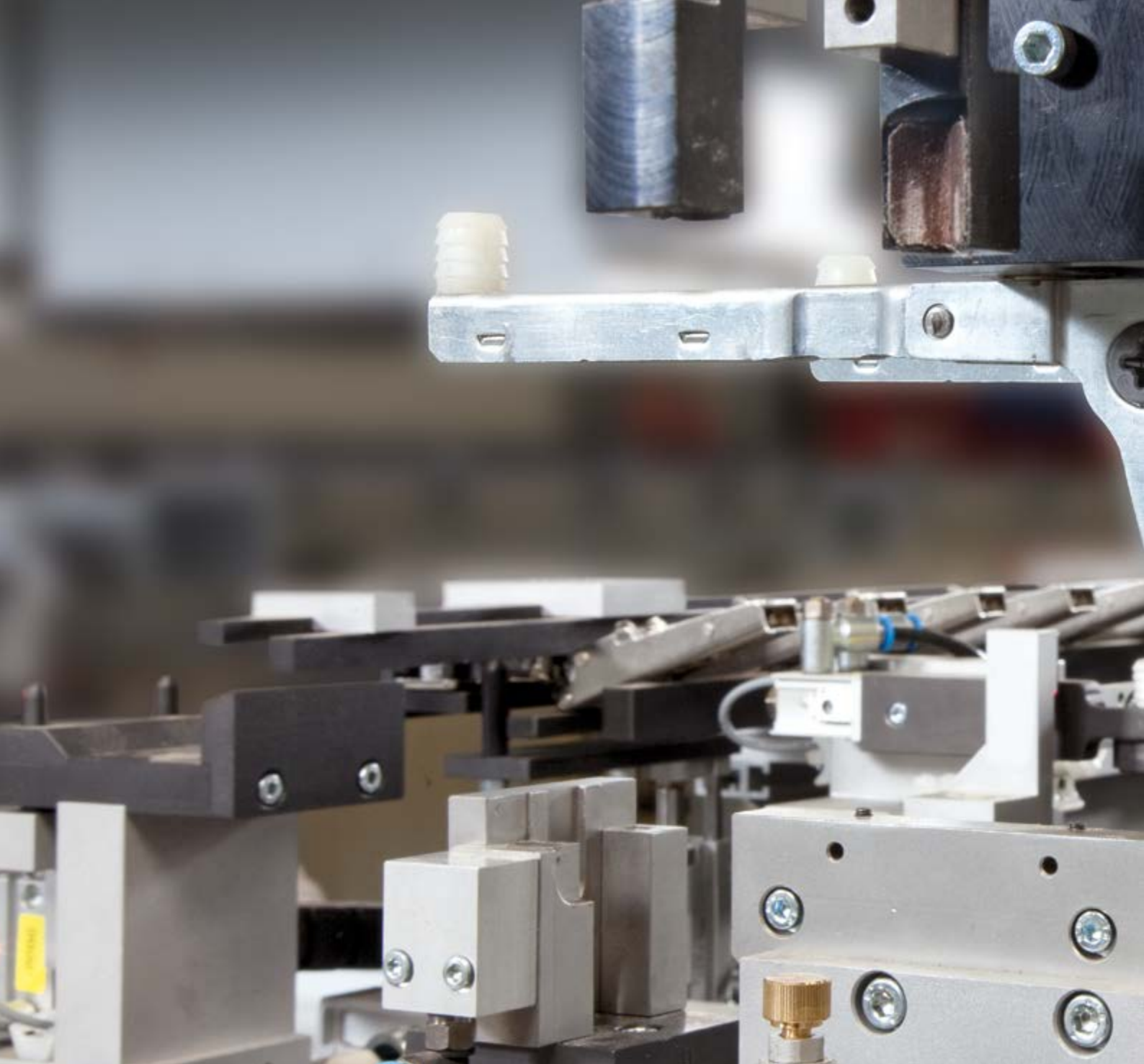
## ABF 600

### The performance range:

- **Safe and precise workpiece handling by dynamic high-speed clamping system (140 m/min)**
- **Complete processing of fronts:**
  - Vertical drilling from top and bottom
  - Vertical routing from top and bottom
  - Fitting insertion from bottom
- **Highly precise processing by servo-motorized axis adjustment**
- **Surface-friendly workpiece transport by clamping system**
- **Adjustable fitting feeding**
- **Flexible process integration as one-man operation or with automated workpiece handling**







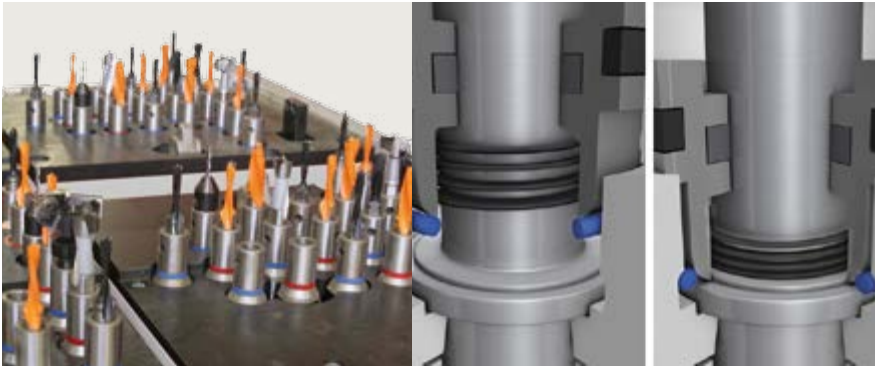
## The equipment types

**THE EQUIPMENT POSSIBILITIES OF THE ABF 600** enable you to meet the varied processing requirements with one machine.



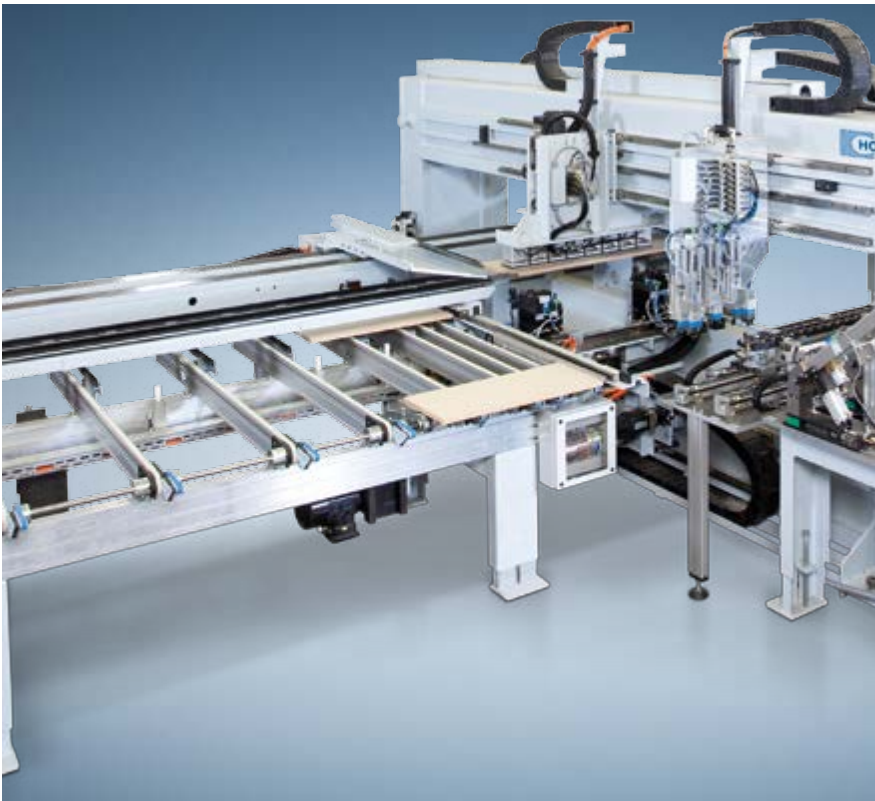






**Automatic spindle clamping system**

- Patented system
- Always exactly the same drilling depth – irrespective of materials
- Constant quality by high repeat accuracy



**Workpiece handling**

- Clamping systems for highly dynamic and precise positioning of workpieces (140 m/min)
- Permanent workpiece support by surface-friendly brush systems



**Processing unit | Drilling and routing**

- High-speed drilling from top and bottom incl. automatic spindle clamping
- Routing from top and/or bottom



**Automated workpiece handling**

- Robots, e.g. from LIGMATECH
- Handling with vertical buffer system



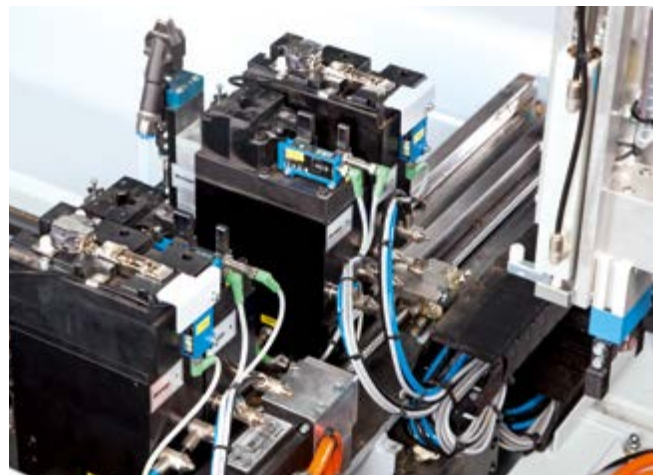
## Fitting insertion technology



Pick&place feeding system, e.g. for plug hinges



Fitting infed by means of oscillating conveyor



Press-in unit for fittings



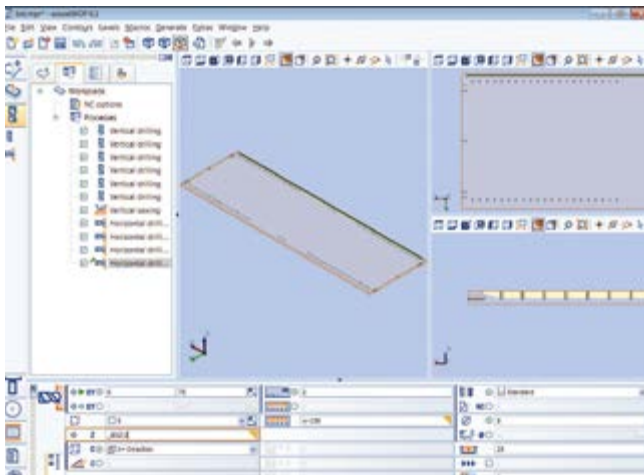
Linear transport section to transfer and separate hinges

# Software

**WITH THIS SOFTWARE PACKAGE YOU ARE »READY TO RACE«.** You will receive one of the most established CNC-programming systems, the woodWOP software, which has proven itself by more than 30.000 installations worldwide.

**Please use our website:**  
**Worldwide largest forum for woodWOP:**  
**Free Download of woodWOP-components:**  
[www.homag.com/Produkte/Software](http://www.homag.com/Produkte/Software)





### woodWOP

- Worldwide established CNC-programming system – already more than 30.000 installations
- More safety and control in programming by 3D-presentations of all relevant elements



### powerControl

- 17" TFT monitor
- Provision teleservice capability
- Front USB interface
- Ethernet connection 10/100 Mbit
- Ergonomic hand terminal



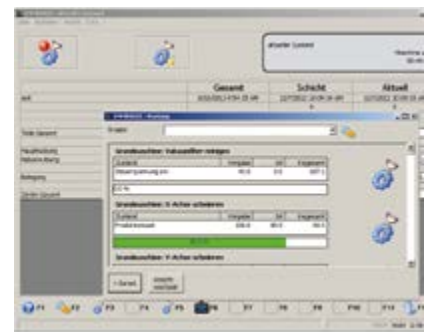
### Tool database

- With graphic operator guidance to manage tool data



### Production list software

- For management and creation of product lists for individual manufacturing



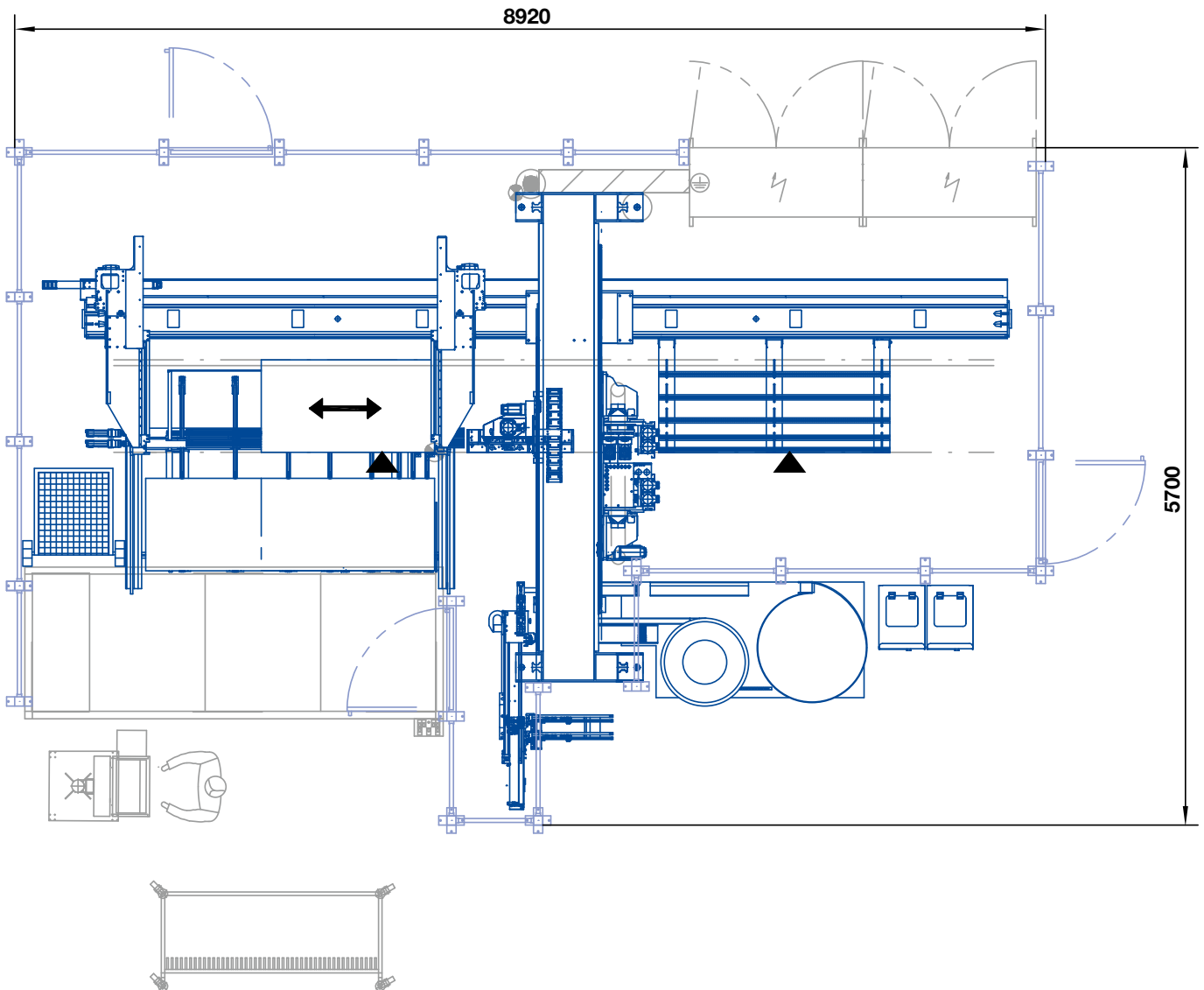
### Machine Data Recording Basic

- Machine Data Recording – collecting and evaluating machine states via time meter and event meter



# Technical data

## Sample layout ABF 600



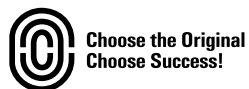
### WORKPIECE DIMENSIONS

	REVOLVING DOORS		DRAW / DRAWER FRONTS	
	MIN.	MAX.	MIN.	MAX.
Front height	190 mm	2500 mm	100 mm	750 mm
Front width	140 mm	750 mm	190 mm	1500 mm
Front thickness	16 mm	25 mm	16 mm	25 mm

Further dimensions on request

**HOMAG Bohrsysteme GmbH**

Benzstraße 10-16  
33442 Herzebrock-Clarholz  
GERMANY  
Tel.: +49 5245 445-0  
info-herzebrock@homag.com  
www.homag.com



For the Success of Original  
Technology. A VDMA Campaign