

# Compact. Smart. Vertical.

**HE HOMAG**

**Our CNC Processing Center**  
DRILLTEQ V-500

**YOUR SOLUTION**







# DRILLTEQ V-500

## Compact. Smart. Vertical.

The flexible power pack on less than 10 m<sup>2</sup>: Space-saving due to vertical construction. No setting times due to clamping system. Faster drilling due to powerful drilling equipment. Resource-saving due to no-vacuum clamping technology.

### YOUR SOLUTION

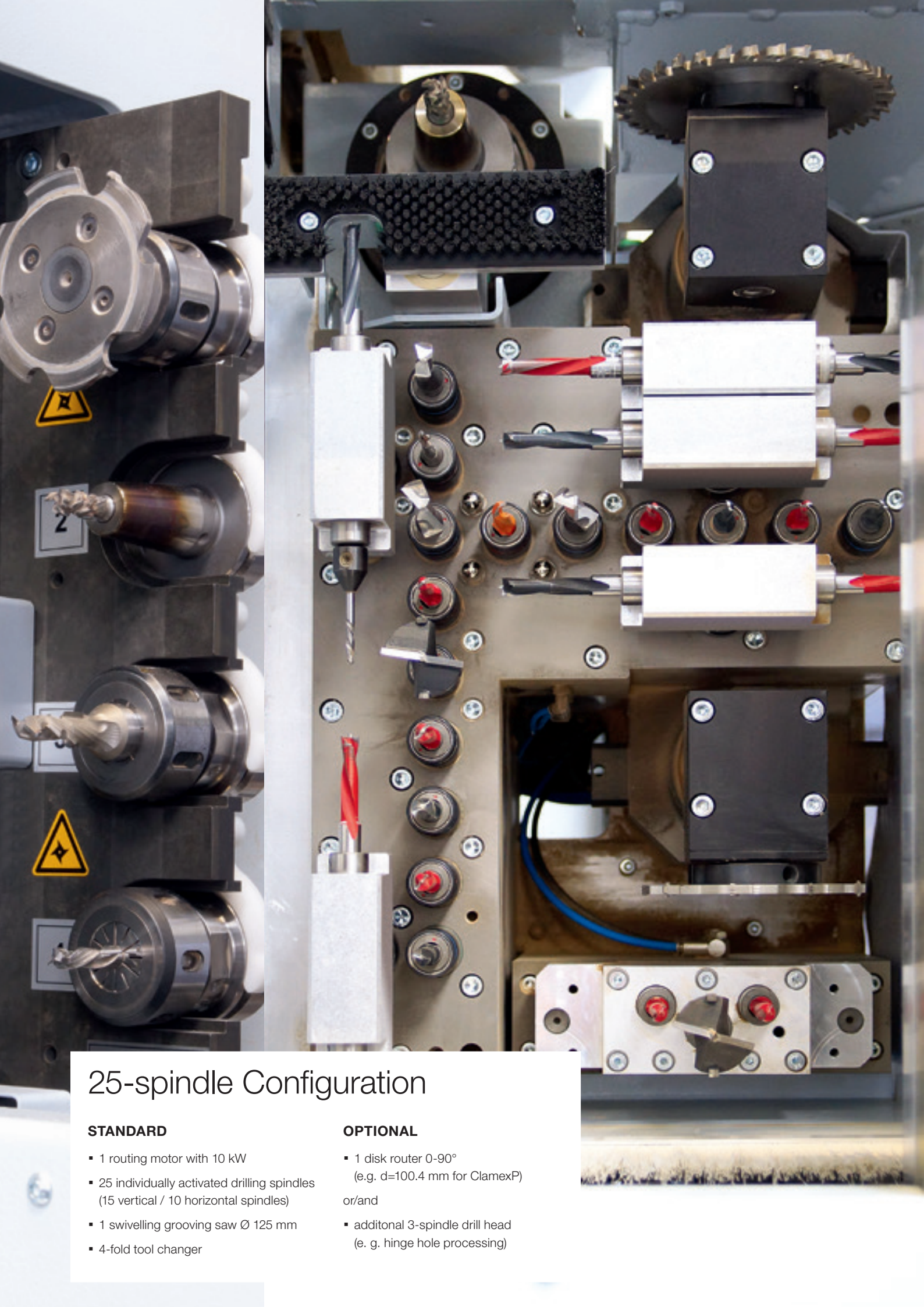
[MORE: HOMAG.COM](https://www.homag.com)



### CONTENTS

- 04 25-Spindle Configuration
- 05 36-Spindle Configuration
- 06 All inclusive – Hardware
- 08 Option – Dowel Insertion
- 09 Option – Process Optimization
- 10 Option – Workpiece Return System
- 12 Option – Robot Connection
- 14 All inclusive – Software
- 15 Option – Software
- 16 powerTouch2
- 18 Life Cycle Services
- 19 Technical Data





## 25-spindle Configuration

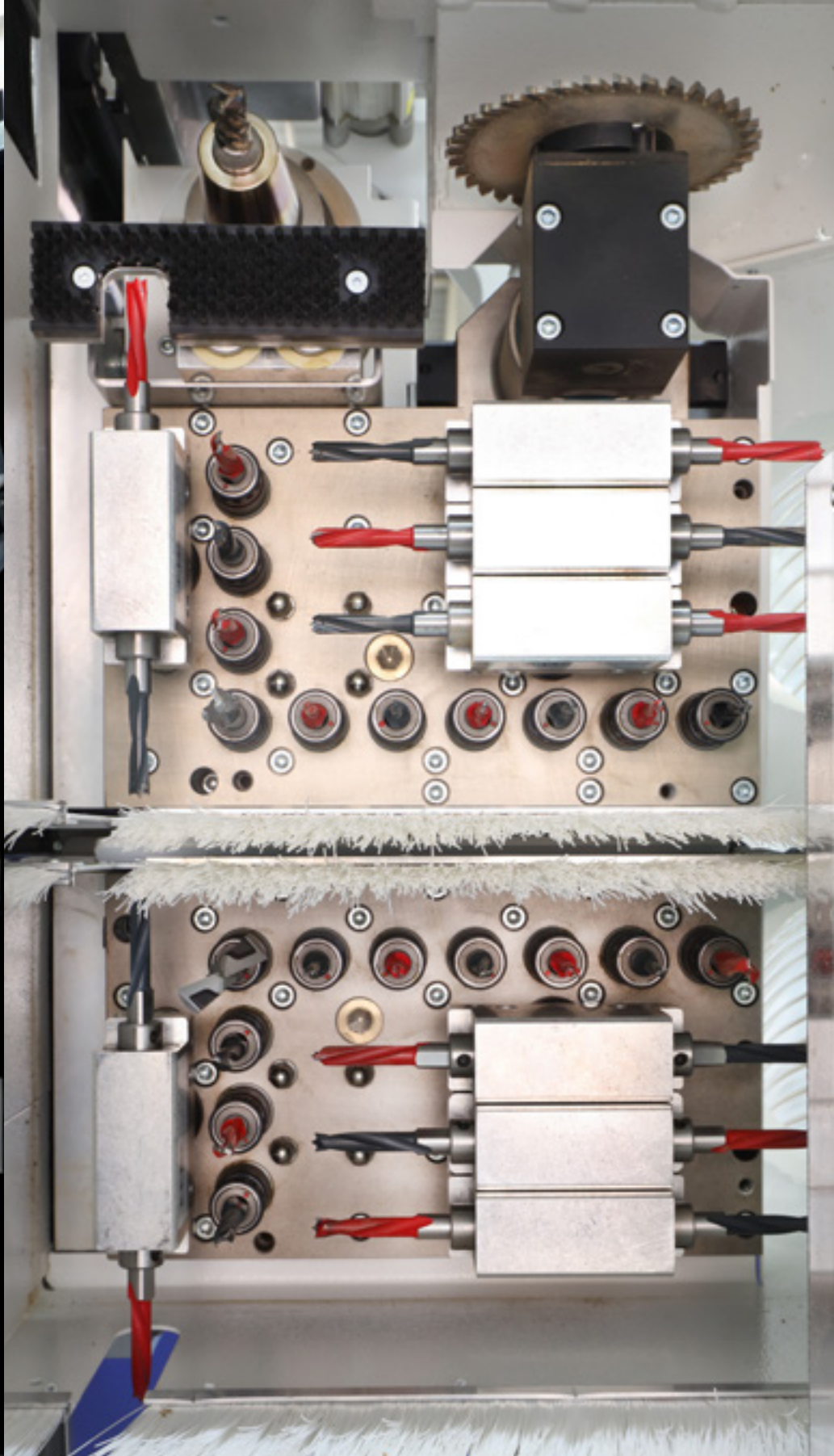
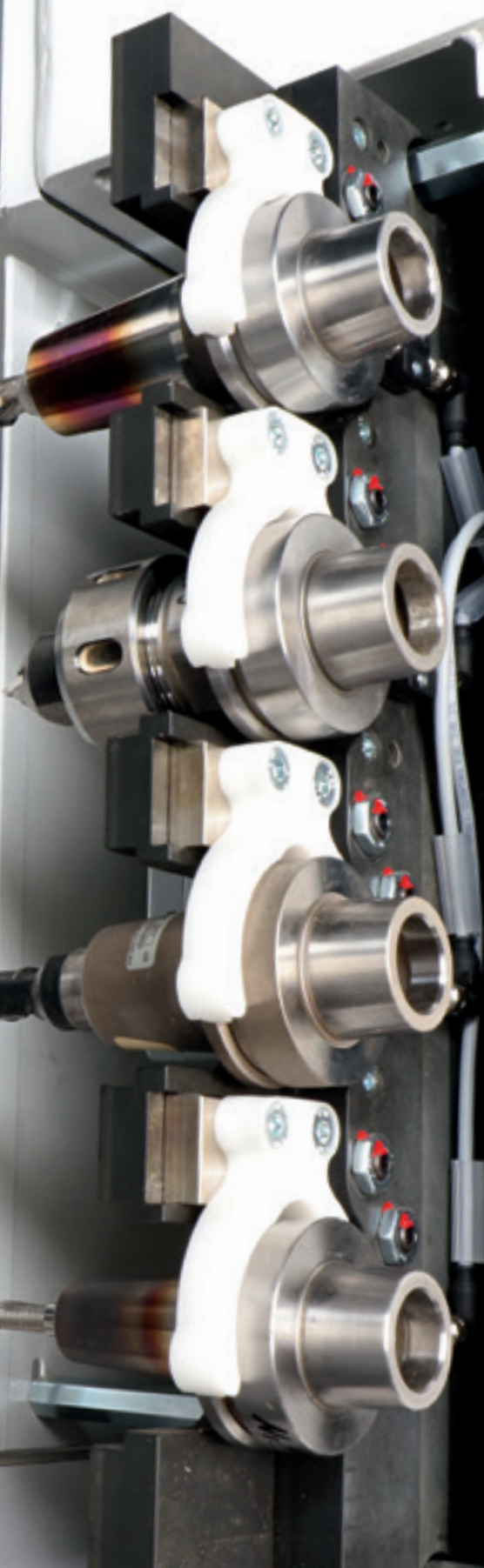
### STANDARD

- 1 routing motor with 10 kW
- 25 individually activated drilling spindles (15 vertical / 10 horizontal spindles)
- 1 swivelling grooving saw  $\varnothing$  125 mm
- 4-fold tool changer

### OPTIONAL

- 1 disk router 0-90° (e.g.  $d=100.4$  mm for ClamexP) or/and
- additional 3-spindle drill head (e. g. hinge hole processing)





## 36-Spindle Configuration

### STANDARD

- 1 routing motor with 10 kW
- 36 individually activated drilling spindles (2 x 10 vertical / 2 x 8 horizontal)
- 1 swivelling grooving saw  $\varnothing$  125 mm
- 4-fold tool changer

### Your benefits:

Especially in the case of complex drilling patterns the Split-Head configuration (2 x 18 spindles) provides significant time savings.

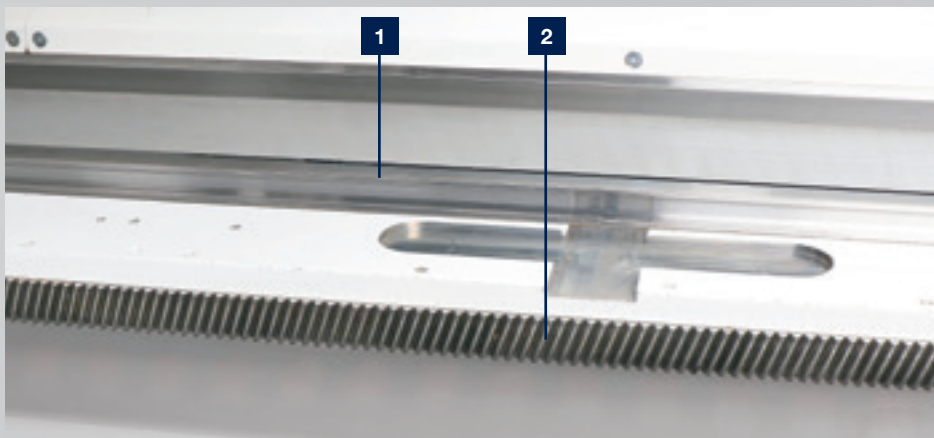
## All inclusive – Hardware

**TOP EQUIPMENT RIGHT FROM THE BEGINNING:** Already in the standard elementary technologies are included, which ensure sustainable highest processing quality.



### Flexible processing height

- Working height from 50 mm (A) to 1250 mm (B)
- Large working field, more flexibility



**1** Covered linear guide with closed guide carriage

**2** Rack and pinion drive systems in X

### High quality engineering

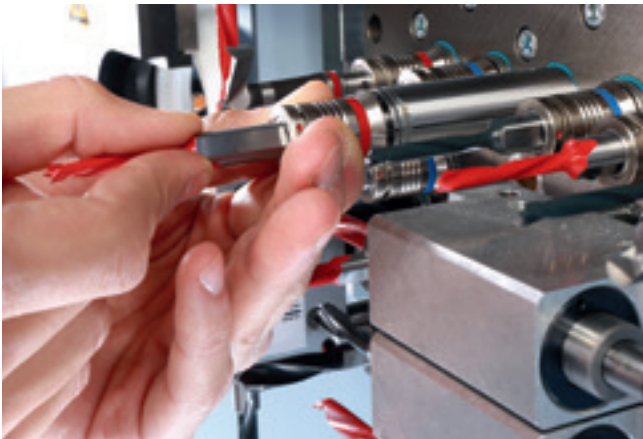
HOMAG stands for quality. For this reason we use high-quality components in all our series. Combined with robust and solid steel constructions this ensures long service lives and reliable processes. These are our standards, and we are ready to be measured by them.





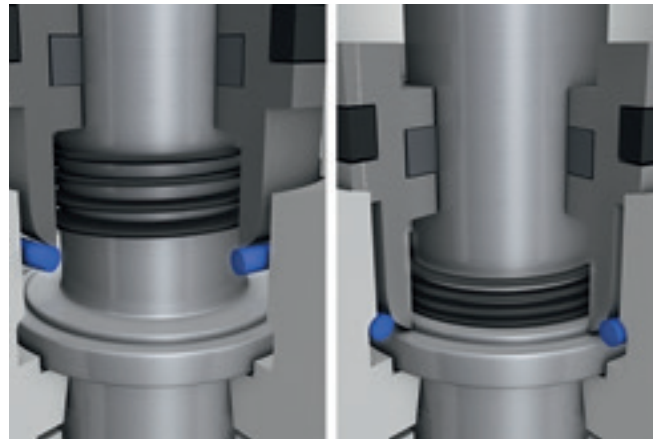
**powerControl with powerTouch2**

- Full-HD multitouch display with wide screen 16:9
- Front USB interface
- Ethernet connection 10/100 Mbit



**Drill quick-change system**

- The patented system ensures easy installation or change of drilling bits. Your easy way to save time!



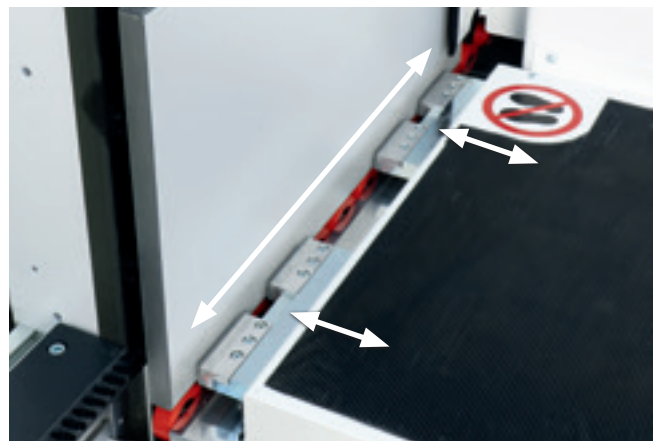
**Automatic spindle clamping**

- Patented system for exact drilling depth at any time with different materials
- Lasting assurance of drilling quality



**Workpiece load- and workpiece removal area**

- Mechanical support via roller conveyor in the loading- and removal area of the machine.



**CNC-controlled clamping system**

- No-vacuum fixing and precise positioning of workpieces. You save 100% vacuum power.

## Option – Dowel Insertion

The dowel insertion function is combined with one of the two main configurations. They give you much more flexibility in your application fields.



### Vibration conveyor

- For standard dowel 8 x 30 mm, 8 x 35 mm or 8 x 40 mm
- Machine will be delivered with dowel dimension 8 x 35 mm set by the manufacturer



### Dowel driving unit

- Horizontal dowel insertion by means of powerful aggregate technology
- Exact insertion of dowels into defined positions

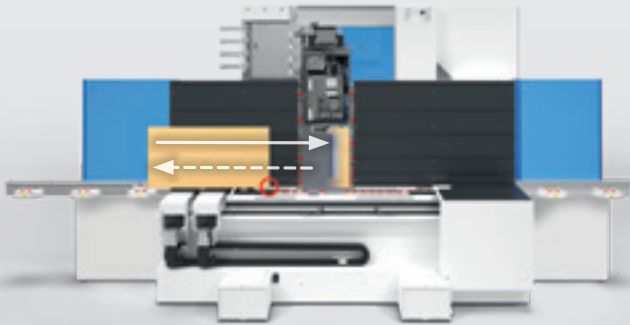


### Glue supply system

- Extension of the dowel insertion unit for the use of low viscose glue (e. g. white glue)



## Option – Process Optimization

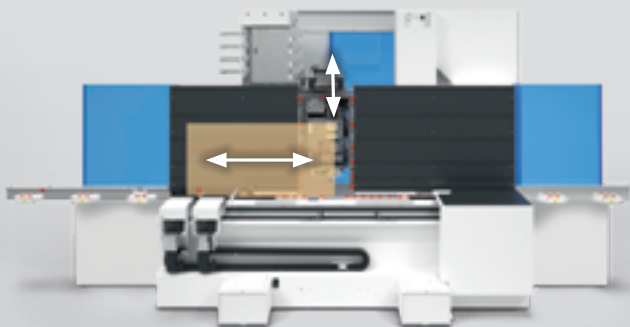


### 1. PROCESS ACCELERATION:

Let the machine calculate for you! In doing so you accelerate processes and safeguard quality

#### Length depending processing in X-direction – automatic adjustment of drills depending on dimensions

- After the workpiece has been released for processing its length is measured accurately by a measuring run. Dimensiondepending drillings are then corrected automatically by possibly determined tolerances. You save time and gain quality.



### 2. PROCESS SAFEGUARDING:

Plausibility check – Benefit from additional safeguarding of processes

- Control of the workpiece by sensor technology in X- and Y-direction. Comparison with the values in the database. If the defined tolerance value is exceeded, the current process stops. At the same time the operator receives a message to correct the workpiece. This way you remain on the safe side.



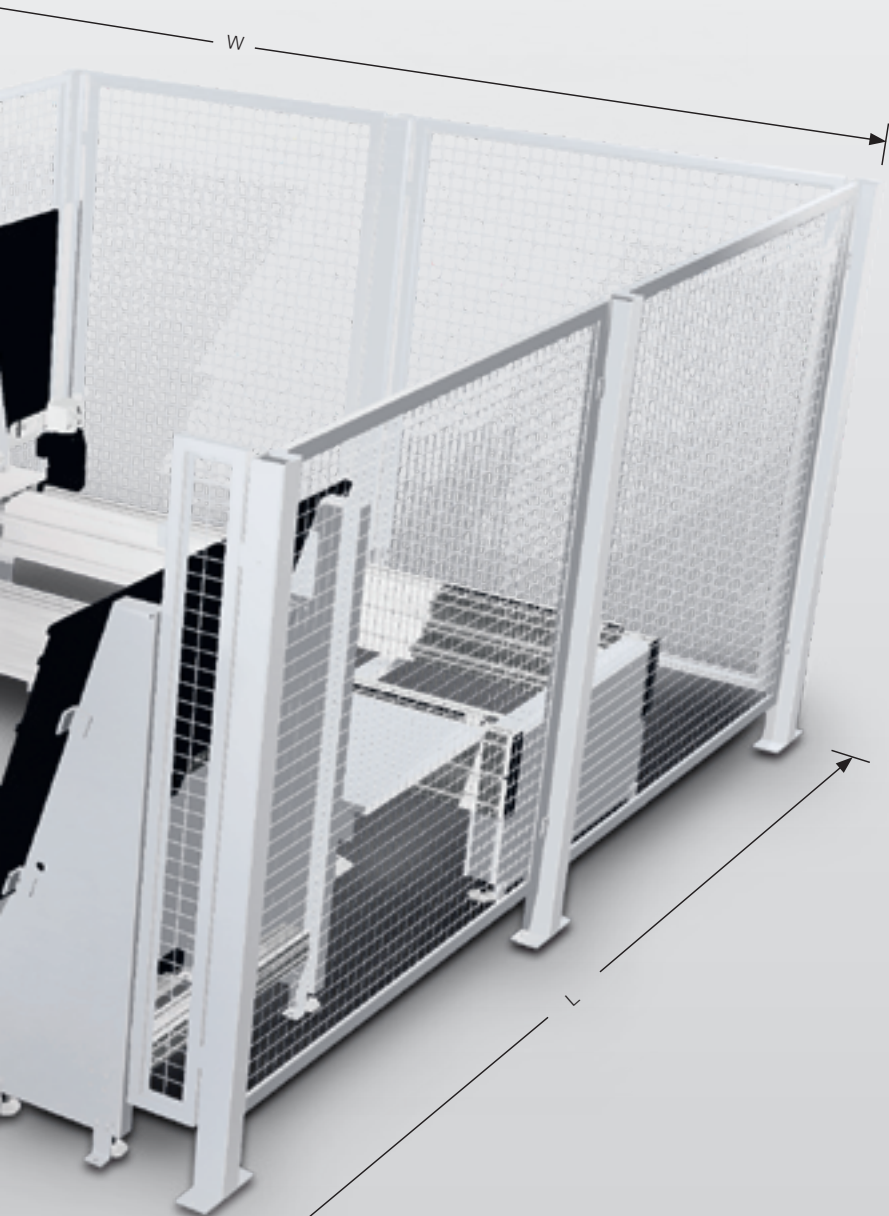
### 3. PROCESS AUTOMATION:

Automate your processes – Benefit from the optional barcode connection

- Barcode reading system inclusive: Scanner, Software (also available separately)
- Supported barcodes: 1D – Barcode, 2D – Data Matrix Code
- Every workpiece is exactly identified for the further workpiece flow
- Basis for a faster flow of workpieces with higher process quality

## Option – Workpiece Return System





### Your benefits at a glance



**Minimized  
waiting time!**

# 15%

**Your processes  
become more  
efficient by up  
to 15%**



**Compact handling concept!**

Place requirement for minimum stage of extension: L 6400 mm x W 3900 mm  
Place requirement for maximum stage of extension: L 7200 mm x W 3900 mm



## Option – Robot Connection

DRILLTEQ V-500 with robot. Safe, precise, automatic handling of workpieces for more efficient production.



### Your benefits at a glance



**More time for value adding activities through maximum technical availability.**



**Perfect solution for future-oriented companies:**

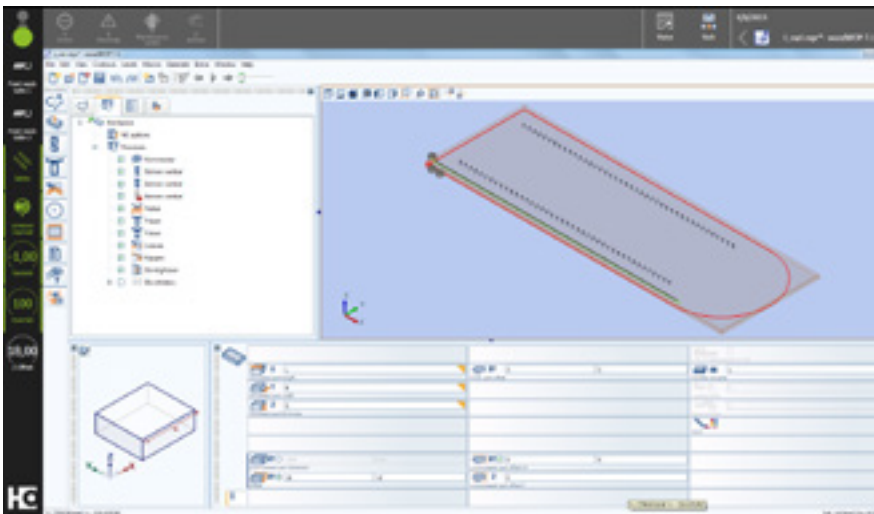
- Independent processing
- Compact installation space





# All inclusive – Software

**WITH THIS SOFTWARE PACKAGE YOU ARE »READY TO RACE«.** You will receive one of the most established CNC-programming systems, the woodWOP software, which has proven itself by more than 30.000 installations worldwide.

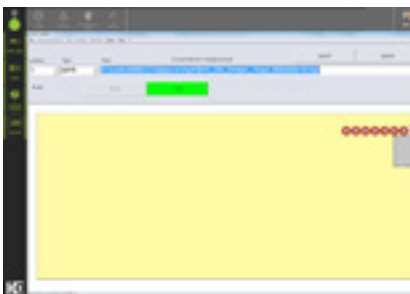


**Nutzen Sie auch unsere Internetpräsenz!**

Weltweit größtes Forum zum Thema woodWOP:  
[forum.homag.com](http://forum.homag.com)

## woodWOP | License Machine

- Fast and intuitive operation thanks to simple, direct navigation
- Select from a choice of variables for flexible variable programming
- Quickly create individual subprograms
- Increased programming security through 3D images of workpieces, processing and clamping equipment.



## Slot assignment

- Simple control of main machine functions through soft keys
- Graphical configuration
- Automatic mirroring of workpieces



## woodWOP DXF Basic

- Interface for CAD-Data Import
- Basis to generate woodWOP programs



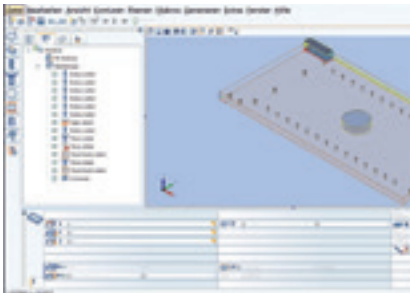
## Machine data acquisition MMR Basic

- Record quantities and actual operating times on the machine
- Integrated maintenance instructions for optimum time and quantity-based planning, as well as performing maintenance



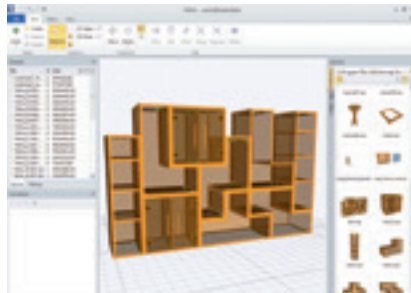
# Option – Software

**WITH ADDITIONAL SOFTWARE MODULES** you can further optimize your processes.



### woodWOP | License Office

- Single user or network licenses available
- Incl. DXF-Import CAD-Plugin to create your own CAD drawings on the machine and at the workplace



### woodAssembler

- To visualize woodWOP programs (MPR) in 3D
- Enables the construction of individual workpieces to finished objects



### 3D CNC-Simulator

- Simulates the processing acc. to the order set in the NC program
- Allows time calculation



### tapio-ready

- Simply “connect” the machine with tapio to use all innovative digital tapio products
- The free use of tapio MachineBoard is included in the standard

## ADDITIONAL SOFTWARE

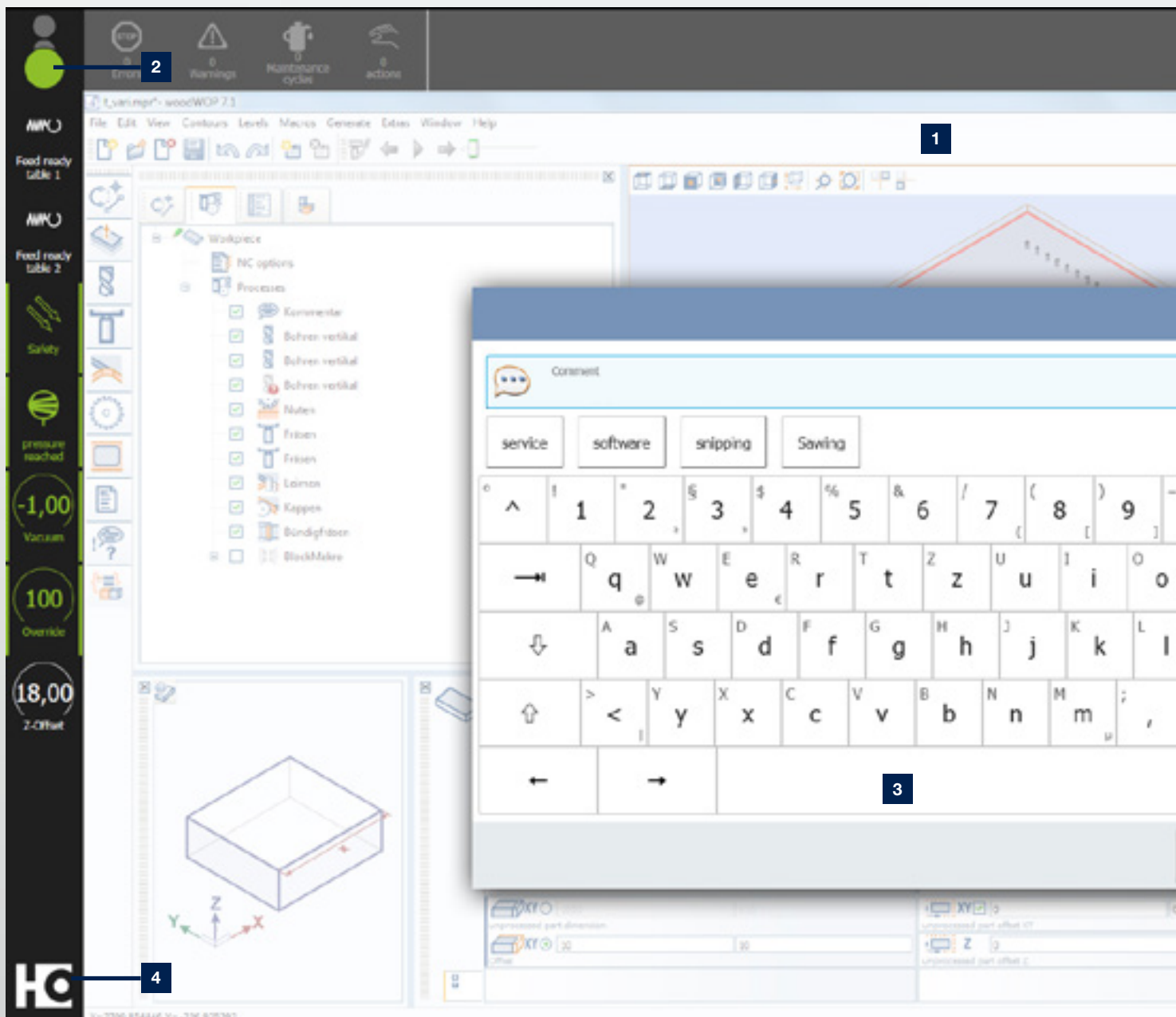
1. woodWOP Office

2. 3D CNC-Simulator

3. woodAssembler



Package

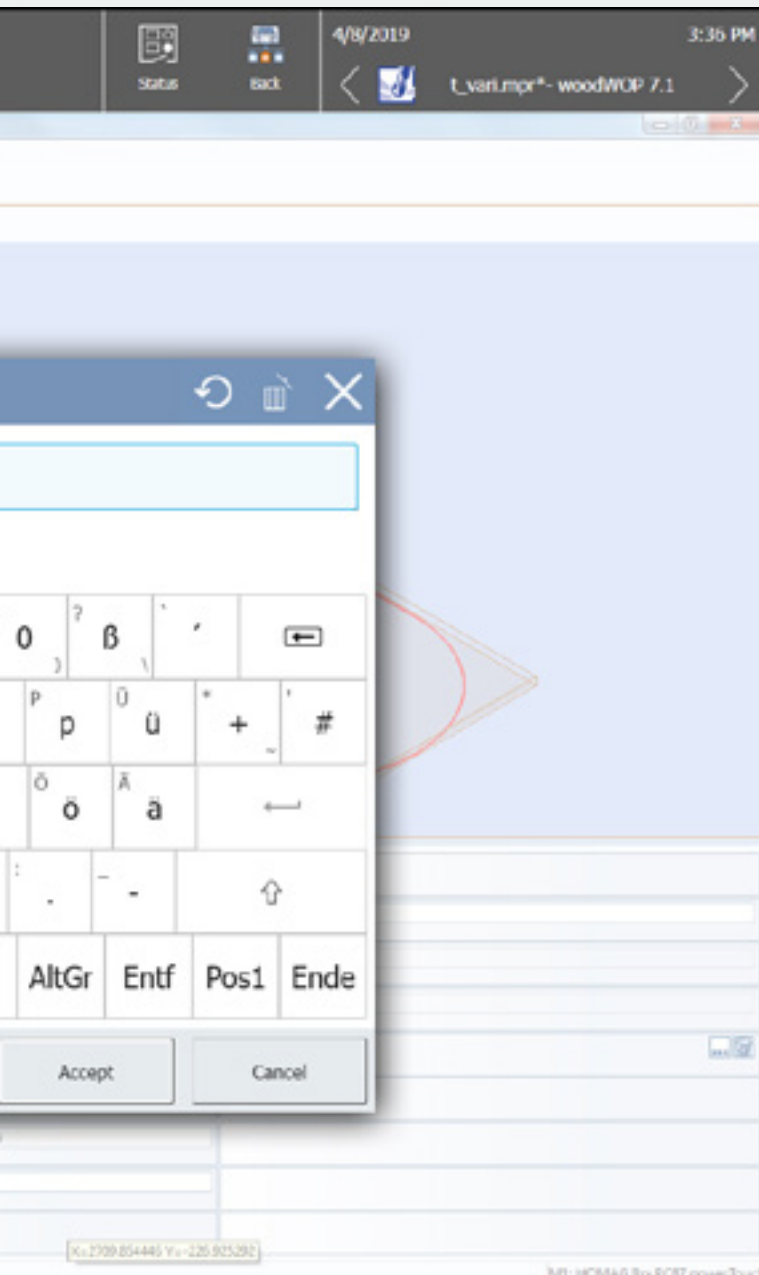


**1** The powerTouch2 screen is clearly structured. You can see all the important information at a glance, but you still have all the details.

**3** A functional pop-up keyboard that can be kept open, including automatic word completion for faster entries (when you enter the first letters, frequently used applications are proposed and you can select them directly).

**2** We have also improved the traffic light dialog further. You can now directly influence the machine's production readiness by selecting actions via the traffic light icon.

**4** Enhanced "Start" menu with additional information displayed (e.g. an indication of how many messages are currently pending or status bars that show the progress of the application) and direct access to actions (e.g. confirmation of actions without having to jump to the application).

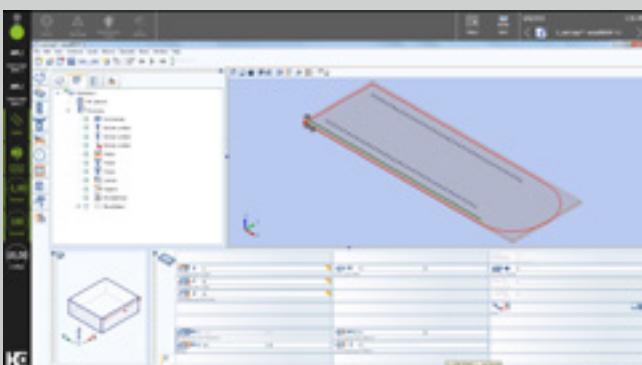


## The next generation of powerTouch: **powerTouch2**

Faster, more comfortable, clearer: Enjoy the benefits of our further improved powerTouch user interface. We have optimized our standardized operating concept and further adapted it to our customers' requirements. Controlling your HOMAG machines is now even faster and more intuitive. The new, modern design has a clear structure. The innovative touch operation allows you to achieve the desired result easily and comfortably.

With the new powerTouch generation, you can enter information at your machine even more quickly. Compared to the previous version, you can achieve a time saving of up to 30%. This is possible thanks to new features, such as automatic word completion, a pop-up keyboard that can be kept open and Windows-like functions, such as the selection of common actions directly via the start button.

Our successful powerTouch philosophy – **standardized, simple, ergonomic, evolutionary** – consistently further developed



### THE HIGHLIGHTS AT A GLANCE:

- Direct and efficient operation, up to 30% faster
- Clearer and more informative thanks to additional information and live illustrations instead of program icons
- New applications for operating and controlling machines and systems (e.g. NCCenter in the PC87 control system on CNC machines or woodCommander 4 on throughfeed machines)
- Fresh, attractive design, based on the new HOMAG machine design



For you more than...

**1,350**

service employees worldwide

**90 %**

less on-site service thanks to  
successful remote diagnosis

**5,000**

customer training sessions per / year

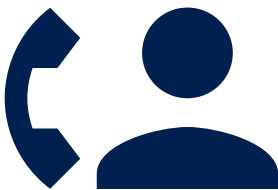
**150,000**

machines, all electronically documented  
in 28 different languages – in eParts

## HC LIFE CYCLE SERVICES

Optimal service and individual consultations are included in the purchase of our machines. We provide support through service innovations and products that are tailored exactly to your company's requirements. With short response times

and fast customer solutions, we can guarantee excellent availability and cost-effective production for the entire life cycle of your machine.



### REMOTE SERVICE

- Hotline support via remote diagnosis by our trained experts regarding control, mechanics and process technology. Thus, more than 90 % less on-site service required and consequently a faster solution for you!
- The ServiceBoard App helps to solve tasks in a fast, simple and concrete way. This is achieved by mobile live video diagnosis, automatic sending of service requests or the online spare parts catalog eParts.



### SPARE PARTS SERVICE

- High spare parts availability and fast delivery.
- Ensuring quality by predefined spare parts and wear parts kits, comprising original spare parts.
- Identify and inquire for spare parts online under [www.eParts.de](http://www.eParts.de) 24/7, or buy even faster and more comfortably in the new HOMAG Webshop eCommerce.



### FIELD SERVICE

- Increased machine availability and product quality by certified service staff.
- Regular checks through maintenance / inspection guarantee the highest quality of your products.
- We offer you the highest availability of technicians in order to reduce downtimes in case of unpredictable troubles.

# Technical data



\* A corresponding safety distance must be maintained in the in and outfeed direction! (See documentation)

## TECHNICAL DATA

			DRILLTEQ V-500	DRILLTEQ V-500 with automatically return system
<b>Workpiece dimensions max.</b>	Length x width x height	mm	3,050 x 1,250 x 80	2,300 (3,050) x 1,250 x 80
<b>Workpiece dimensions min.</b>	Length x width x height	mm	200 x 50 x 8	350 x 60 x 8
<b>Workpiece weight max.</b>		kg	60	60
<b>Vector speed</b>		m/min	(X - Y) 50 - (Z) 15	(X - Y) 50 - (Z) 15
<b>Total machine weight</b>		kg	approx. 3,500	approx. 3,500
<b>Installation dimensions</b>	L x W x H	mm	4,740 x 2,380 x 2,500	6,340 (7,090) x 3,800 x 2,500

## **HOMAG Group AG**

info@homag.com

www.homag.com



## **YOUR SOLUTION**