

• OUR MANUFACTURING PROGRAM •

DOUBLE BOARD EDGER NBE 50

for edging and splitting of boards and slabs.

- Robust construction
- Trouble free operation
- One fixed plus one movable saw
- Quick release manual cutting width adjustment
- Footpedal assisted top roller lift
- Top roller shockabsorber cushioned
- Machine available in left or right hand execution

MEMBER OF THE NUKOR GROUP

N **NUKOR** **SAWMILLING**
(PTY) LIMITED

Nukor House, 92 Op de Bergen Street, Fairview, Johannesburg. P.O. Box 3456, Johannesburg, 2000.
Telephone (011) 624-1500/9. Telex 4-85625 SA. Fax (011) 614-2848.

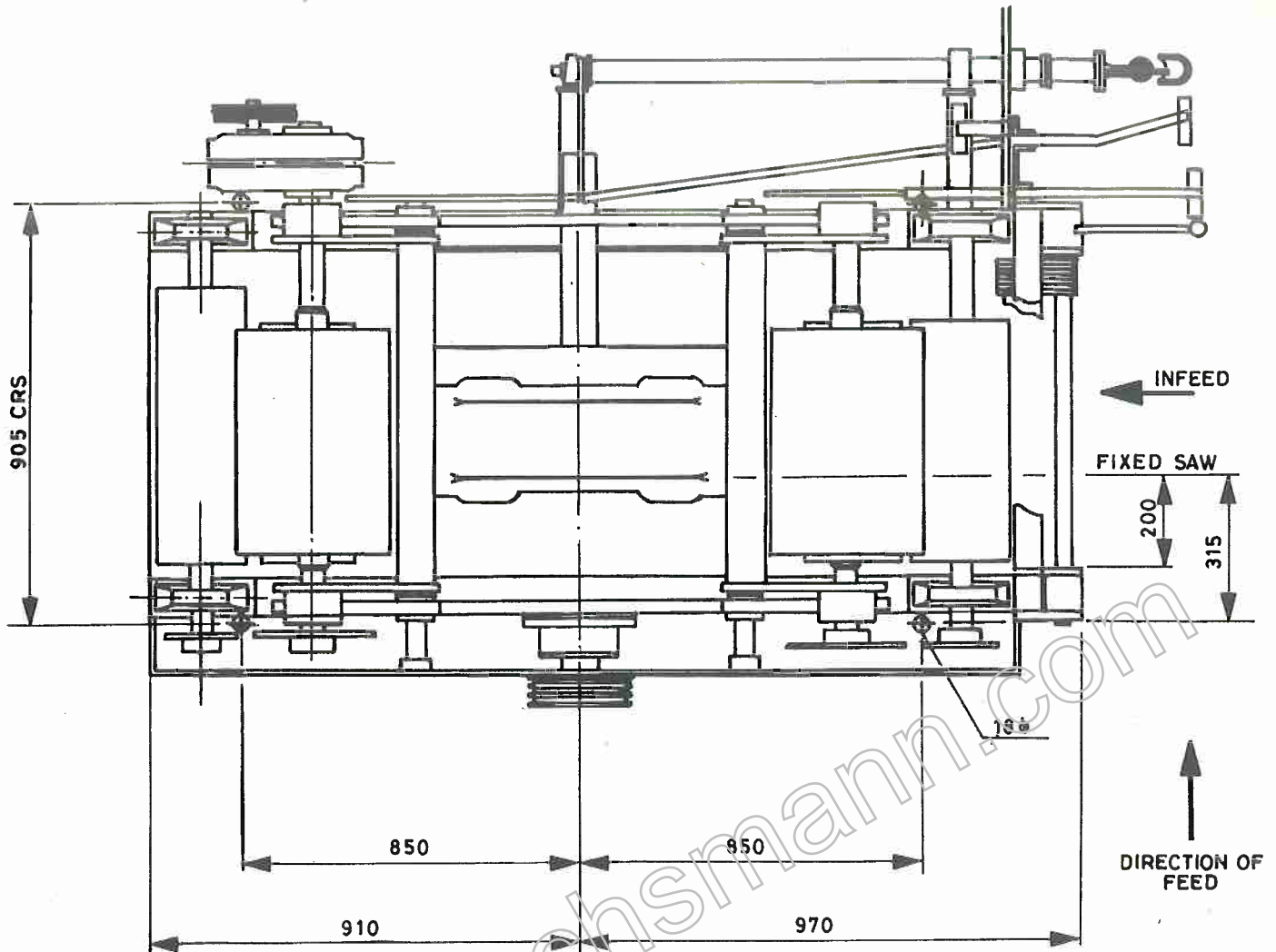


ILLUSTRATION SHOWS LEFT HAND MACHINE

Maximum passage width	: 625 mm
Maximum passage height	: 120 mm
Maximum edging width	: 320 mm
Minimum edging width	: 50 mm
Maximum saw blade diameter	: 500 mm
Main drive motor (recommended)	: 30 kW
Feed drive motor (2 speed)	: 2,3/4,4 kW
Feed speeds	: 90/45 m/min.
Net weight of machine, approx.	: 2 400 kg
Shipping volume, approx.	: 4 m ³