





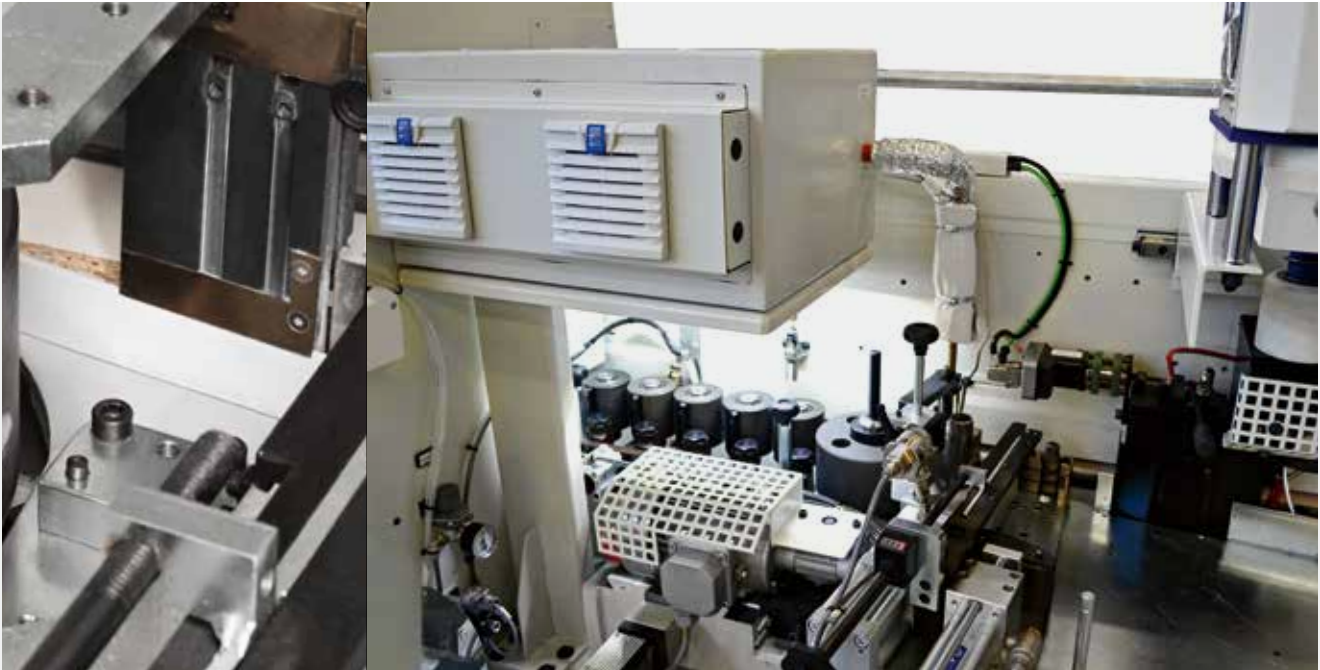
PERFECT DESIGN

Flawless appearance of the panel, seamless finishing between all surfaces, high technical quality, low production costs. All possible with the use of AirFusion edgebanding technology.

AirFusion grants these characteristics by processing the edged panel without the use of glue, with a performance level suitable for the small company as well as for the medium furniture industry.



AirFusion uses specific edges, the same as those used with the Laser application. This type of edges has, in addition to the decorative layer, a functional layer with the right adhesive properties that are activated / melted by AirFusion therefore allowing its application to the panel. The edges are available in all colors, finishes and decoration, in order to stimulate maximum creativity and business opportunities.

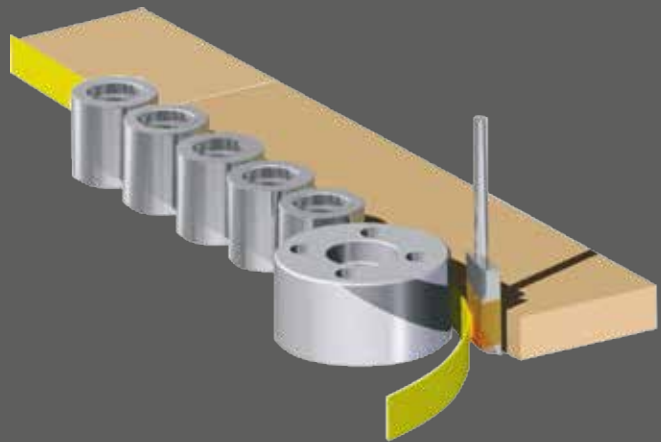


ZERO GLUE LINE

AirFusion works by means of hot air under pressure which is blown directly onto the functional layer of the edge using a nozzle located immediately before the first pressure roller.

The compact design makes AirFusion compatible with the technology of traditional edge banding installed in the machine.

AirFusion is managed directly by the control of the edge bander to allow simple and quick setting of the process parameters .



TECHNICAL DATA



	AF15	AF25
Panel thickness: min/max (mm)	8/60	8/60
Edge height: max. (mm)	65	65
Edge thickness: min/max (mm)	1/3	1/3
Feed speed with 23 mm high edge: max (m/min)	15	25
Installed power	6	10.5
Compressed air consumption (NL/min)	1.300	1.300
Compressed air inlet (Bar)	8	8
heating time from room temperature (MIN)	15	15
Type of edges	Coextruded /pre-glued	Coextruded /pre-glued



SCM GROUP SPA

Via del Lavoro, 1/3 - 36016 Thiene (VI) - Italy
tel. +39 0445 359511 - fax +39 0445 359599
stefani@scmgroup.com
www.scmwood.com



00L0385057G