



- **NRGL** is a new laser system designed for cutting, engraving and marking of sheets and roll materials with maximum working area of 3200x2000 mm.
- Workable materials: paper, cardboard, genuine and fake leather, natural and artificial textiles, rubber, wood, plastics, etc.
- X-Y plotter system with fixed working table and motorized Z axis.
- Axes movement system with four brushless motors for the X axis and one brushless motor for the Y axis with digital control.
- Cutting head with Z axis brushless motor and with proportional valve for gas pressure management for cutting and marking.
- Icaro software (CAM): cutting and marking process management, advanced functions like rubber stamps creation, raster gray scale levels up to 16 bit and 3D cut.
- High performances with reasonable investment.
- Superior quality MADE IN ITALY.



Suction inlet on the cutting head



Safety optic barriers

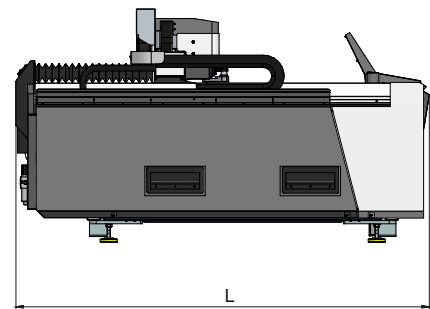
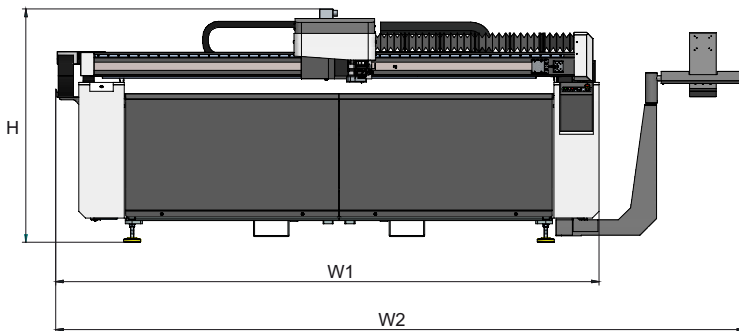
Main technical features:	
Models available (class 4)	1612 - 2215 - 3215 - 3220
Useful work area (mm)	1600x1200 - 2200x1500 3200x1500 - 3200x2000
Nozzle / head clearance (mm)	70 (with 5" focal unit)
Sealed CO ₂ laser source	power available from 150 W to 350W
Repeatability (mm)	± 0,1
Resolution X-Y axes (mm)	0,005
Max. acceleration (m/s ²)	10
Max. vector speed (mm/s)	2000
Max. raster speed Y axis (mm/s)	2000
Max. resolution bitmap file (dpi)	1200
Max. gray levels bitmap file	65536
Interface software	CAM Icaro on Windows™ platform
Reading file compatibility vector	.dxf; .plt (hpgl); .ai; .eps; .pdf;
Reading file compatibility bitmap	.bmp; .jpg; .tiff; .wmf; .pcd; .pnt; .pcx; etc.
Norm compliance	2006/95/CE Low Voltage Directive 2006/42/CE Machinery Directive 2004/108/CE Electromagnetic Compatibility Directive laser safety class IEC EN 60825-1:2015-07



03/2016

Options available increasing flexibility:

- Cutting kit with print marker recognition; CCD optics+software
- 3D plug-in for cutting/contouring 3D surface materials (compatibility with .dxf 3D files);
- Creasing kit for cardboard and corrugated cardboard
- Available focal units and lens holders: 3,75"; 5"; 7,5"



NRGL 1612
W1 = 2605 mm
W2 = 3565 mm
L = 2150 mm
H = 1395 mm

NRGL 2215
W1 = 3245 mm
W2 = 4205 mm
L = 2470 mm
H = 1395 mm

NRGL 3215
W1 = 4250 mm
W2 = 5010 mm
L = 2470 mm
H = 1395 mm

NRGL 3220
W1 = 4250 mm
W2 = 5010 mm
L = 3080 mm
H = 1395 mm

The system is CE certified.
The features and the specifications of the system may change without notice.

SEI Deutschland GmbH
Moosweg 9
D-82386 Huglfing (Germany)
T. +49 8802 91360-0 • F. +49 8802 91360-66
www.seilaser.de • info@seilaser.de