

Specialist for frame works.

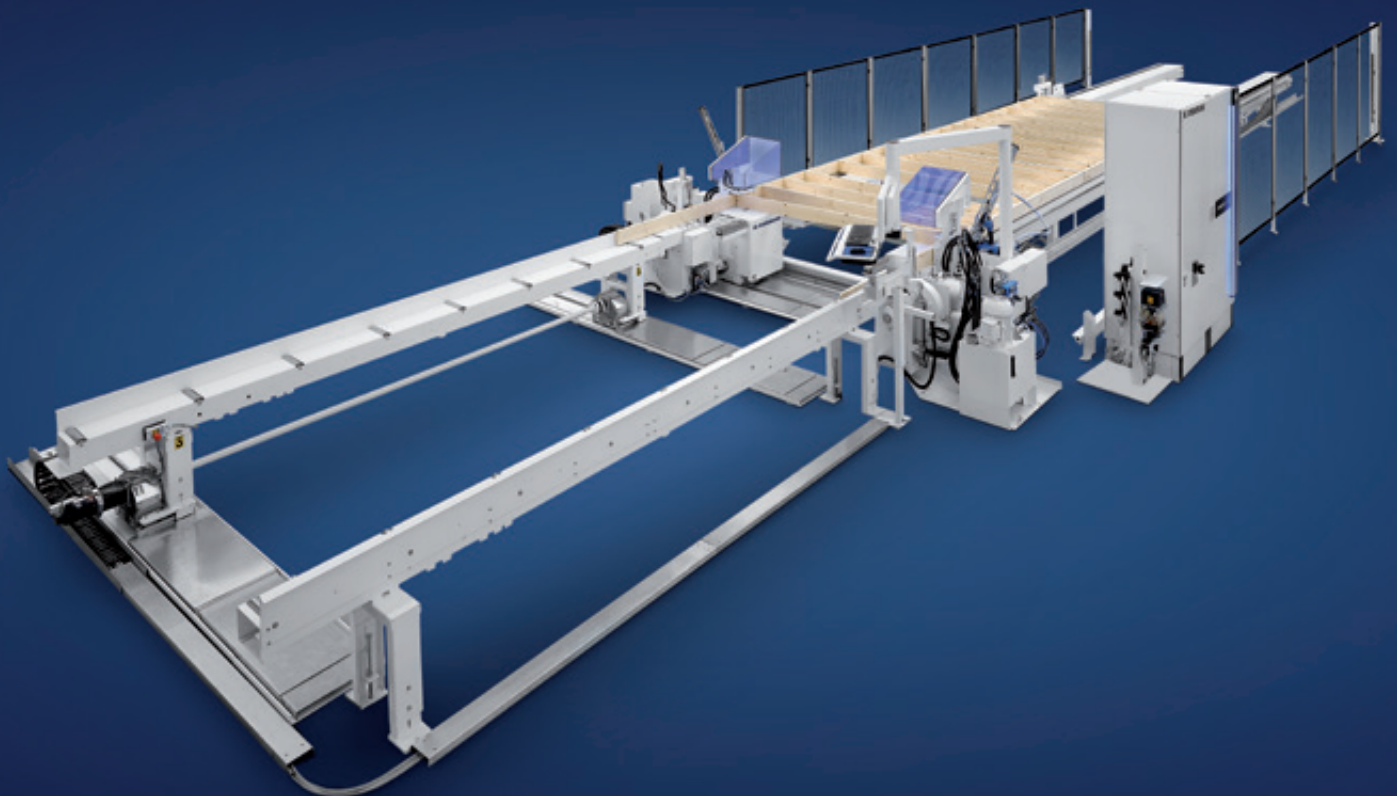
HC WEINMANN

**Our frame work stations
and combi wall systems**

FRAMETEQ F-300/500/700

FRAMETEQ M-300/500

YOUR SOLUTION







FRAMETEQ – Customized production

The FRAMETEQ series sets new standards for creating frame works in wood frame constructions. Standard frame works as well as complex constructions can be manufactured quickly and easily. The machines offer a high level of flexibility for manufacturing and enable efficient production in batch size 1. The machines can be integrated in production lines to provide a wide range of applications and high levels of performance.

YOUR SOLUTION

**MORE INFORMATION AVAILABLE AT
[HOMAG.COM/WEINMANN](https://www.homag.com/weinmann)**

CONTENTS

06	FRAMETEQ F-300/500/700 standard features
08	FRAMETEQ F-300
10	FRAMETEQ F-500
12	FRAMETEQ F-700
16	Options for FRAMETEQ F-300/500/700
18	Automation
20	FRAMETEQ M-300/500 standard features
22	FRAMETEQ M-300
26	FRAMETEQ M-500
30	Production solutions
32	Machine layout and technical data
34	Software
36	tapio
38	Service

Frame work production – precise, simple and versatile

The FRAMETEQ series guarantees precision and safety in the manufacture of frame works for wall and gable elements. The latest CNC technology is used to clamp and attach the plates and studs, ensuring consistent high quality. You benefit from highly flexible and efficient wall production.



Consistent high precision

- NC-controlled stopper system guarantees a high level of dimensional accuracy
- Exact stud distance due to NC-controlled outfeed gripper
- Versatile fastening options as well as customized nail patterns thanks to CNC axes

Safe and ergonomic

- Comprehensive safety features
- Clear and easy operation by a single person
- Ideal processing height and swiveling control panel that can be positioned flexibly

Highly flexible use

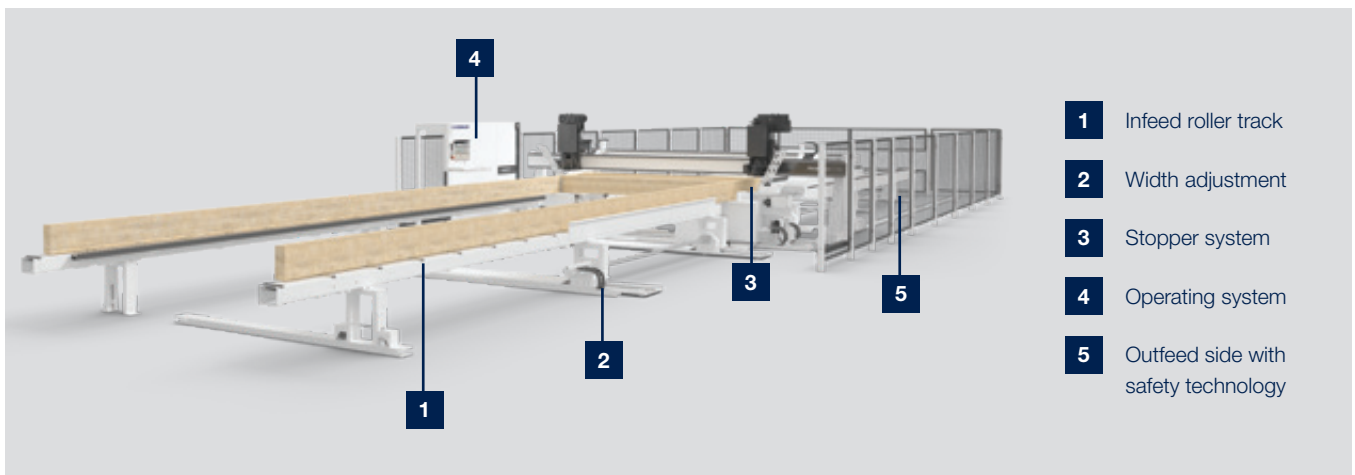
- Individual production in batch size 1
- Can be expanded at any time thanks to modular design
- Ideally suited to wall and gable elements in wood frame construction, as well as wall, base and floor elements in modular construction

The right machine for your needs

The FRAMETEQ range is made up of two different series with five different types of machines. Depending on the product range, performance requirements and space available, you can choose between frame work stations and combi wall systems.

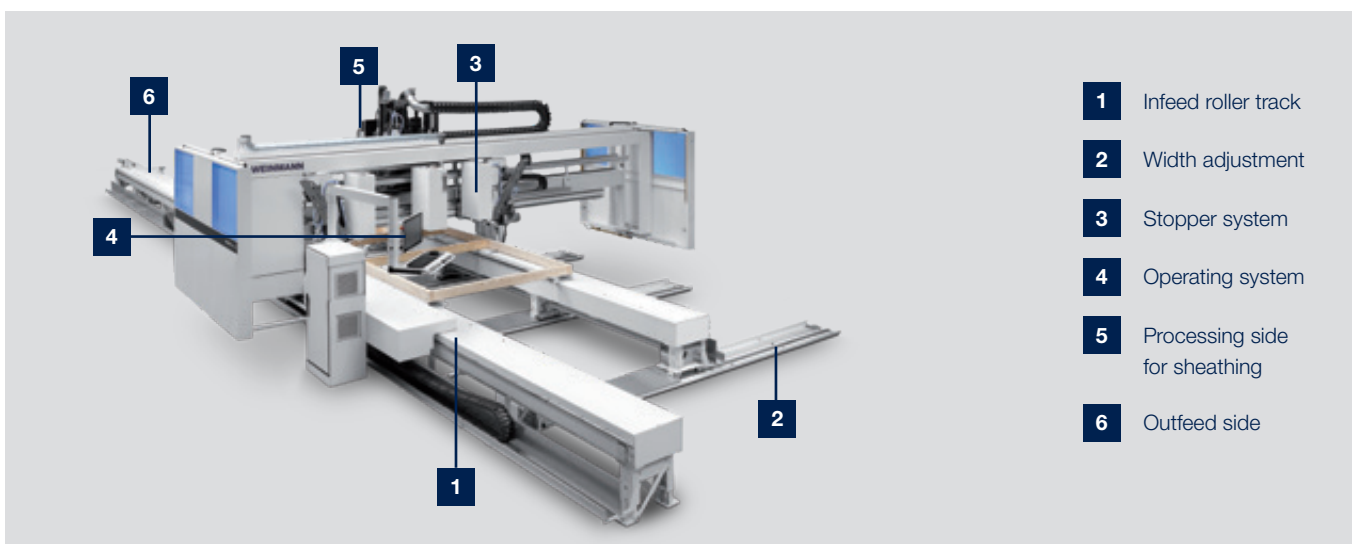
FRAMETEQ F-300/500/700 frame work stations

Automate your entire frame works with frame work stations. The machine accepts the data record created in CAD. This data is then used to set the element width on the machine. The top and bottom plates are fed over a roller track, positioned at the stops and clamped. The studs are then placed into the frame work station and also positioned, clamped and nailed on horizontally. The outfeed gripper pulls the frame work into the next position and the procedure is repeated until the entire frame work is completed. The processes are carried out with different levels of automation depending on the machine type.



FRAMETEQ M-300/500 combi wall systems

In addition to frame work production, combi wall systems also offer automated attachment and processing of sheathing. The process of producing frame work differs only in the case of the FRAMETEQ M-300, where the frame work production is stationary. With the FRAMETEQ M-500, the frame work is produced in the same way as in frame work stations. The sheathing is placed on the finished frame work manually and is attached and processed with the units installed on the FRAMETEQ. Frame work with sheathing on one side is produced on just one workstation.



FRAMETEQ F-300/500/700 frame work stations – The right solution for your requirements

You can find the right type of machine in this series to suit the capacity you need. Three different types of frame work station are available, which vary in terms of the degree of automation and possible performance. From the economical entry-level variant to the standard model and the integrated high-performance system, we offer a variety of solutions – adapted to your requirements.



	FRAMETEQ F-300	FRAMETEQ F-500	FRAMETEQ F-700
	Frame works produced with ease	Automated and high-performance	Complex frame works – individually produced
NC axes for nailing devices	Can be moved pneumatically	Automatically by servo motors	
Width adjustment	Manual	Automatic	
Automatic outfeed	–	✓	
Output	0.4–0.6 m/min	0.8–1.5 m/min	0.5–1.0 m/min
Capacity (per year/shift)	Approx. 100 houses	Approx. 800 houses	Approx. 500 houses

Versatile standard feature for practical use

Precision and safety – even with the standard features for frame work stations. CNC technology, high-quality design and state-of-the-art operating options form the basis for all machines of the FRAMETEQ F-300/500/700 series.



Infeed roller track

Manual placement of top and bottom plates via loose, non-driven rollers.



NC-controlled stopper system

Specification of the placement positions of individual studs, as well as fully automatic clamping and connection of frame work. The frame work remains clamped even while the plates and studs are connected.



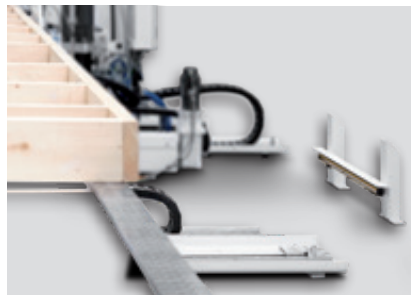
NC-controlled outfeed gripper

Exact stud distances: the frame work is automatically fed to the respective placement positions.



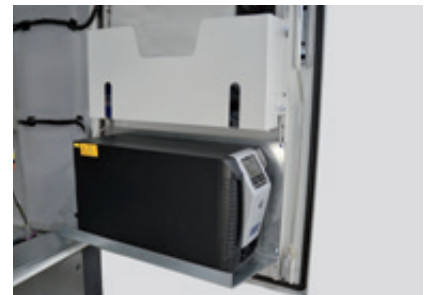
Convenient operating system

- Clear screen display and intuitive powerTouch user interface for easy operation
- Integrated data flow thanks to fully automatic data transfer from all common CAD programs
- tapio-ready: all the processes in the value chain combined into a single digital platform



Comprehensive safety system

- High level of work safety thanks to protected working area with the highest safety standards
- Light barriers, protective fences, as well as various protective devices on the fastening units

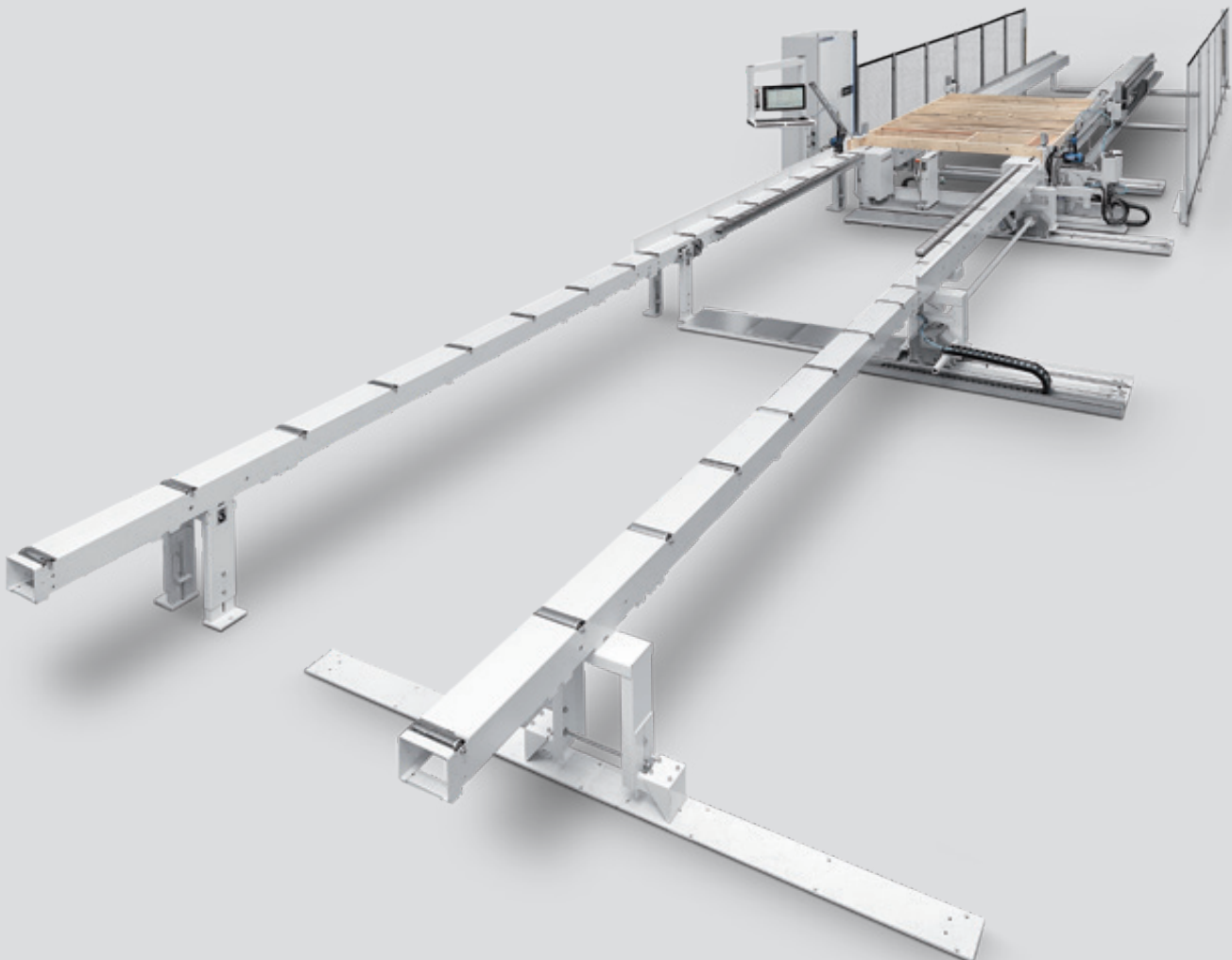


Uninterrupted power supply

Safeguarding of the control computer and controlled shutdown in case of power failure.

FRAMETEQ F-300 frame work station– Frame works produced with ease

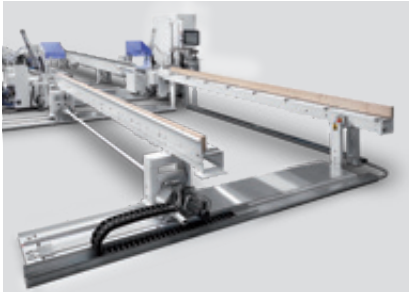
The FRAMETEQ F-300 provides an entry-level solution for automated frame work production. Once the data record has been read in, the element width is set manually. The top and bottom plates are fed manually on a roller track and positioned at the stops, automatically clamped and spread. The distances of the studs are taken directly from CAD. The outfeed gripper moves to the appropriate place, meaning that the placement position is clearly specified. The operator then loads the studs and positions them at the specified stops. Plate and stud connection is also automated.



Highlights

- Entry-level solution for automated frame work production
- High levels of quality thanks to automated positioning and attachment of studs
- Modular expansions available

Standard features



Manual width adjustment

Infinitely variable adjustment of different wall heights.



Fastening units can be moved pneumatically

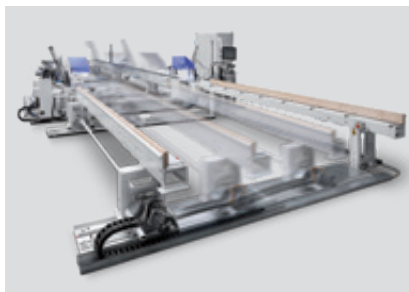
The attachment is performed using two positions that are adopted automatically. If necessary, the respective end positions can be changed manually.



Outfeed-side small roller conveyor

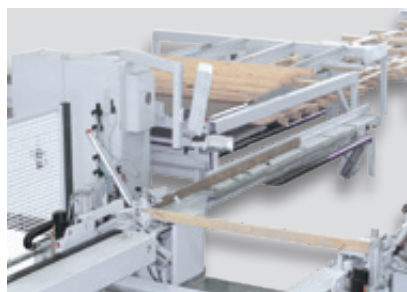
Automatic outfeed transport of elements to next workstation.

Options



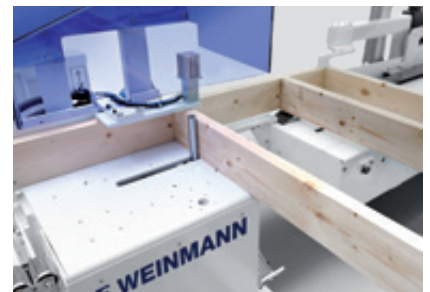
Automatic width adjustment

The infeed roller track, outfeed gripper and the stopper system are automatically adjusted to the respective wall height based on the data records. There is minimal setup time even with different dimensions.



Provision of multi-beams

Storage and provision of special studs such as multi-, L-, U- or other combinations. The operator removes the studs and places them directly in the frame work.



Stud positioning

The manually loaded studs are positioned automatically with the aid of bolts and stops. This ensures a consistently high quality and makes the work process considerably more efficient.

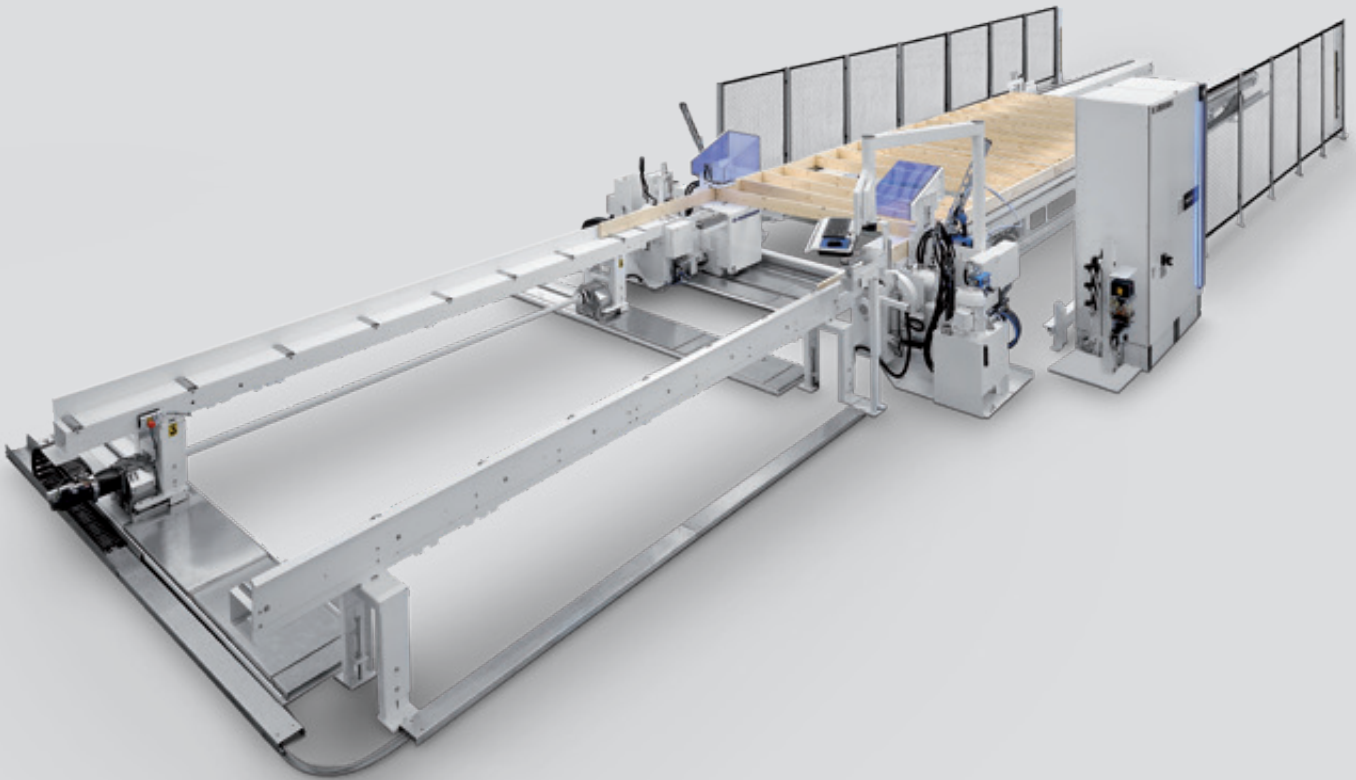


NC-controlled vertical traversing axes for fastening units

The variably positionable fastening devices create a wide variety of nail patterns. This facilitates the fastening of, for example, multi-beams, L-, U- and T-studs as well as the production of window and door modules. The height of the nailing devices is thereby automatically adapted to different element thicknesses.

FRAMETEQ F-500 frame work station – Automated and high-performance

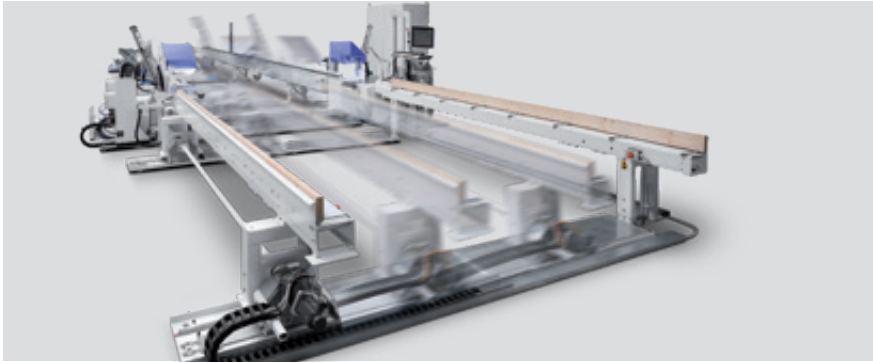
In addition to the automated clamping and connection of studs and plates, this version also offers automated adjustment for different wall heights and automated outfeed transport. Once the data record has been read in, the element width is set automatically for the stopper system and the outfeed gripper. In addition, the manually loaded studs are positioned, clamped and attached automatically. The FRAMETEQ F-500 optimizes your production of standard walls and gable elements and makes your manufacturing processes highly efficient.



Highlights

- Output of up to 800 houses/year
- Minimal setup times, even for different wall heights
- Consistently high quality thanks to automated processes

Standard features



Automatic width adjustment

Infinitely variable adjustment of different wall heights, with minimal setup times.



Stud positioning

Automatic positioning of the manually loaded studs with the aid of bolts and stops leads to consistently high quality and efficient work processes.



NC-controlled vertical traversing axes for fastening units

Automatic adaptation to different element thicknesses.



Automatic outfeed

The frame works are transported to the next workstation via hinged slat conveyors.

Options



Offset stud installation

- Positioning of studs flush to the top and bottom edges of the upper plates
- Minimum distance between two consecutive studs is 30 mm



Drilling unit

Production of drill holes, for example for electrical installation or suspension points.

- Optional 1–2 drilling units for top and bottom plate
- Stepped drills can be used for drilling holes in various sizes

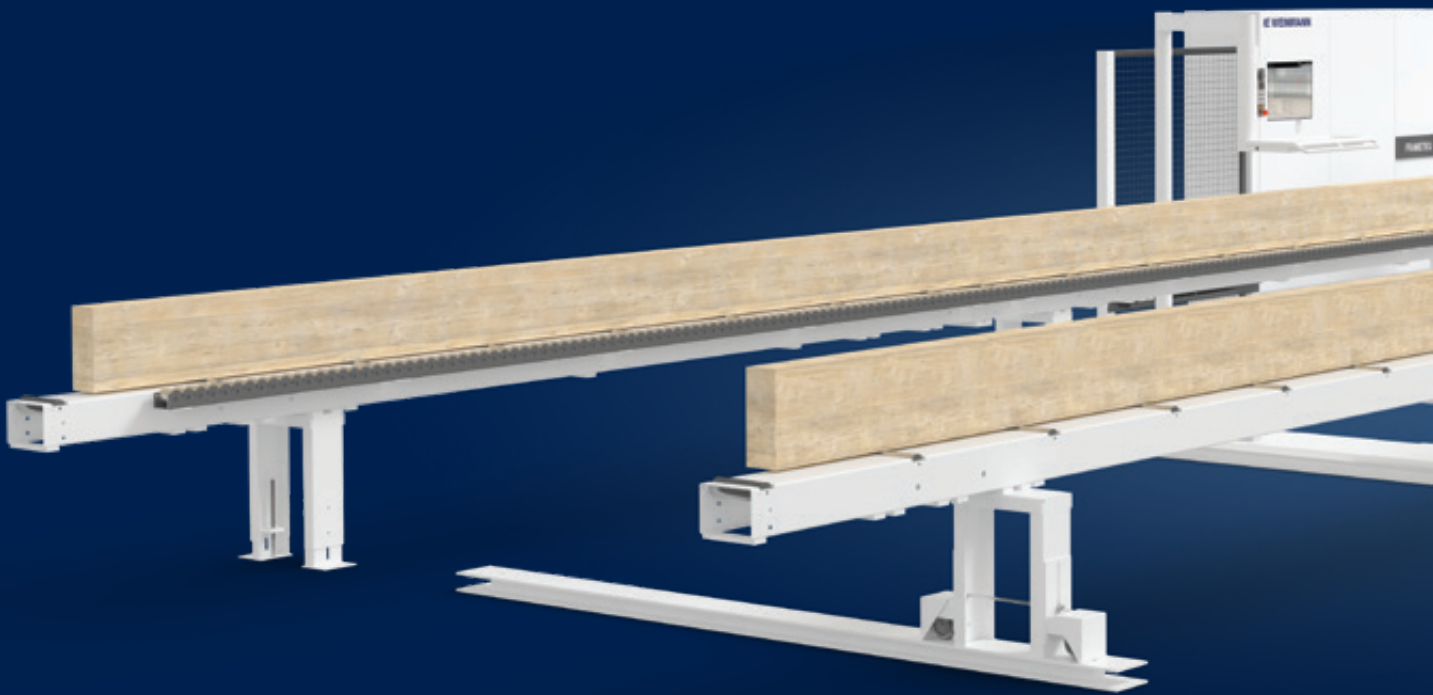


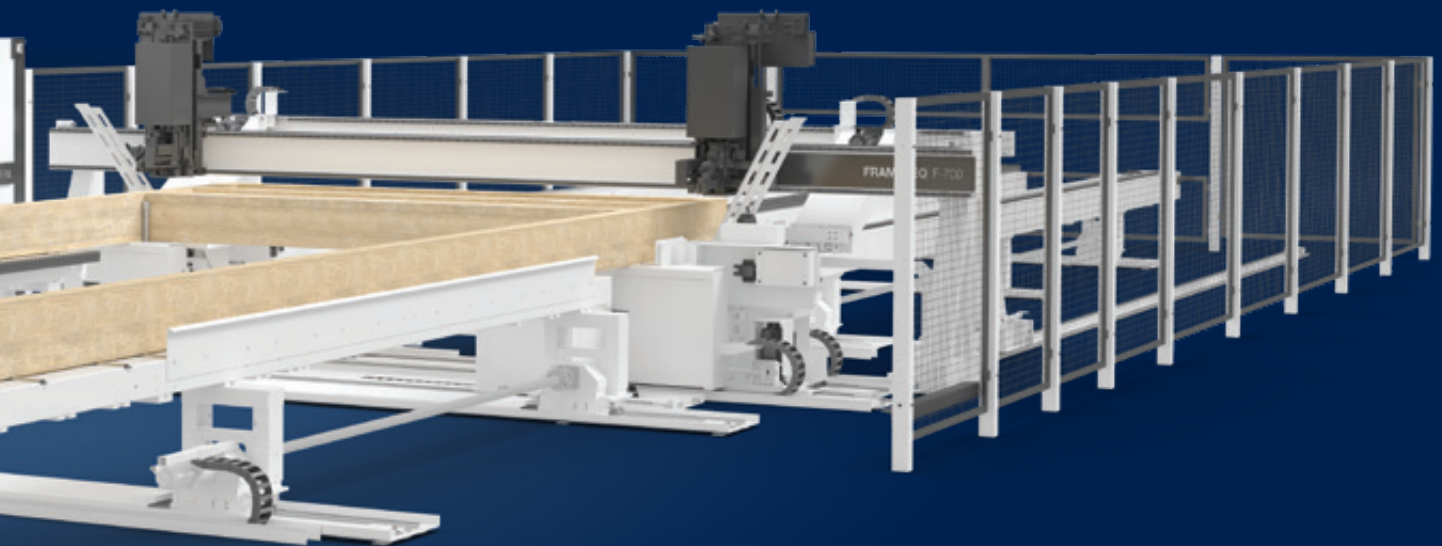
Provision of multi-beams

Storage and provision of special studs such as multi-, L-, U- or other combinations. The operator removes the studs and places them directly in the frame work.

FRAMETEQ F-700 frame work station – Complex frame works, individually produced

The FRAMETEQ F-700 enables fully automated production of a wide variety of frame works. A wide range of studs, for example for gable slopes or spandrels are placed at a wide range of angles with the aid of the special outfeed gripper. Complex and demanding frame works are produced significantly more quickly with the FRAMETEQ F-700.

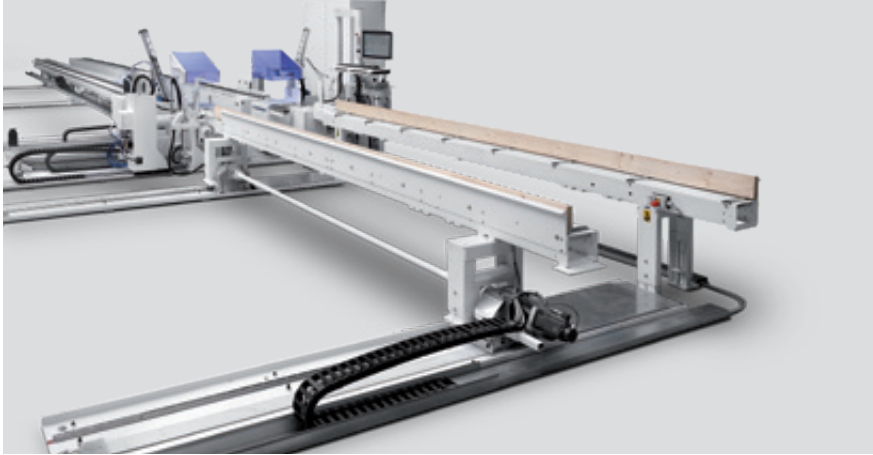




Highlights

- Efficient production of complex frame works
- Customized production in batch size 1
- Fully automated processes

Standard features



Automatic width adjustment

Infinitely variable adjustment of different wall heights, with minimal setup times.



Stud positioning

Automatic positioning of the manually loaded studs with the aid of bolts and stops leads to consistently high quality and efficient work processes.



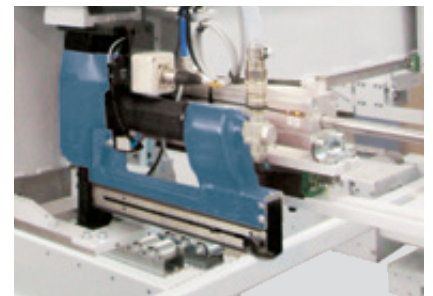
NC-controlled outfeed gripper

The outfeed gripper is guided on the base and grips the studs from the outside. This enables a wide range of timbers, for example for gable slopes, to be positioned automatically.



Automatic outfeed

The frame works are transported to the next workstation via hinged slat conveyors.



Four NC axes for corrugated nailer

Two nailing devices on the top and bottom plates respectively connect plates and studs as well as spandrel beams and studs.

- Parallel movement over the entire element width
- Rotatable chucks: 0/90°

Options



NC-controlled vertical traversing axes for fastening units

Automatic adaptation to different element thicknesses.



NC-controlled clamping system for longitudinal studs

- Precise alignment and clamping of longitudinal studs
- Inserting, clamping and connecting of spandrel beams and lintel beams for windows and doors



NC-controlled clamping system for gable and longitudinal studs

- Inserting, clamping and connecting of angled plates
- Production of gable elements, as well as doors and windows



Drilling unit

Production of drill holes, for example for electrical installation or suspension points.

- Optional 1–2 drilling units for top and bottom plate
- Stepped drills can be used for drilling holes in various sizes

Additional options for FRAMETEQ F-300/500



Support table for longitudinal studs and gables

Enables the convenient installation of lintel and spandrel beams as well as the production of gables. The insert table is available in two different versions:

- Manually movable insert table on linear guides for the manual installation of the longitudinal studs
- NC-controlled positioning of the insert table with two integrated fastening devices



Nail plate press

Connection of top or bottom plates that are too short, in order to produce frame works in the required length.

- Manual actuation of the pressing process
- Two-stage high-performance hydraulic unit
- Optimization software ensures that the connections do not coincide with processing. There are no pressings in the area of modules, spandrels and lintels.
- Consideration of the required wood lengths via an unprocessed-part database ensures optimized wood consumption.



Snipping saw unit

Plates are automatically cut to the respective element length of the frame work and multiwalls are split into individual segments with the aid of partial sawing. The plates are clamped pneumatically throughout the sawing procedure.

Additional options for FRAMETEQ F-300/500/700



Units for manufacturing elements with modules

- Module transport route: small roller conveyor for transporting modules, either manually or automatically
- Module table: additional table for the manual production of window and door modules
- Module support: Liftable rollers simplify the installation of prefabricated window and door modules. The operator feeds the modules over the rollers to the infeed. This means that even heavy modules are installed quickly and easily, without the operator having to carry the heavy weight themselves.



Modules for the switch cabinet

- Heating unit
- Cooling unit



Installation of fastening units

- Marking unit for applying marks on the plate, for example, the positions of the panel layers
- Labeling unit for applying labels on the plate or on the studs, for example on production units

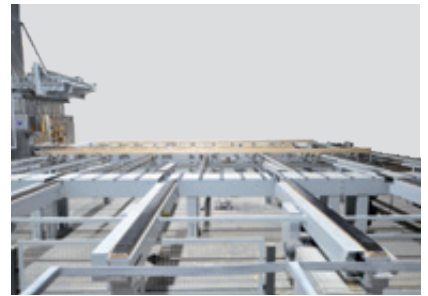


Stud provision

The stud packages are placed on a sturdy steel table by a forklift truck. The operator removes the studs from there and manually feeds them to the frame work station.

Efficient production solutions for material handling

WEINMANN handling systems offer fully automatic solutions for complete material logistics for frame work production. Heavy manual work is eliminated – thus improving the work ergonomics and creating attractive jobs. The continuous material flow increases efficiency throughout the production process.



Simplified infeed of top and bottom plates

The top and bottom plates are fed to the frame work station fully automatically. This can be done either via cross conveyors, linear gantries or driven roller tracks.



Fully automatic stud infeed with STORETEQ H-100 handling portal

The STORETEQ H-100 removes the studs from material storage and makes them available to the frame work station via an additional pick-up point. From there, the studs are fed via roller conveyors directly to the frame work station.

- Additional buffer line
- Higher capacity due to additional pick-up point
- Stud infeed from several pick-up points
- Infeed of a wide variety of wood dimensions



Fully automatic frame work production with integrated robot

The six-axis robot places the various studs into the frame work fully automatically at a wide range of angles. Combined with a handling portal for standard beams and an additional storage space for special beams, the studs are provided at the appropriate positions. The robot removes the studs from there and places them in the frame work.

- Handles studs with lengths from 780–3500 mm and a weight of up to 75 kg
- Ideal stud placement using different placement procedures
- Robot accesses multiple pick-up points
- Installation of up to six parts per minute



"The robot has enabled us to greatly reduce the physical strain on our employees. The robot also offers greater flexibility, as it feeds both standard and special beams to the frame work station."

René Honrath, head of the technical division at Bien-Zenker

FRAMETEQ M-300/500 combi wall system – Two steps, but only one machine

Create the entire frame work, complete all work on sheathing and perform attachment and processing on just one workstation. Elements for timber frame construction that are planked on one side are manufactured in an automated process with just one operator. Two versions are available for this.



	FRAMETEQ M-300	FRAMETEQ M-500
	Stationary frame work production in extremely confined spaces	Frame work production in throughfeed ensures high performance
NC-controlled stopper system		✓
NC-controlled outfeed gripper	–	✓
Automatic width adjustment		✓
Automatic outfeed		Option
Output for open elements	0.25 m/min	0.3 m/min

Standard features offer many options

Combi wall systems are equipped with relevant modules for frame work production as well as for attaching and processing sheathing.



Comprehensive safety system

Protected work area with the highest safety standards. The safety system is designed differently depending on the type of machine:

- FRAMETEQ M-300: Three safety light barriers and two sliding safety doors
- FRAMETEQ M-500: circumferential safety light barrier as well as additional horizontal safety light barriers



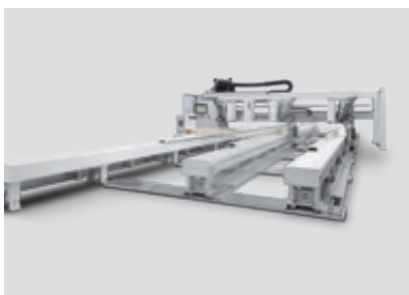
Convenient operating system

- Clear screen display and intuitive powerTouch user interface for easy operation
- Integrated data flow thanks to fully automatic data transfer from all common CAD programs
- tapio-ready: all the processes in the value chain combined into a single digital platform



NC-controlled vertical traversing axes for nailing device chucks

The variably positionable fastening devices create a wide variety of nail patterns. This facilitates the fastening of, for example, multi-beams, L-, U- and T-studs as well as the production of window and door modules. The height of the nailing devices is thereby automatically adapted to different element thicknesses.



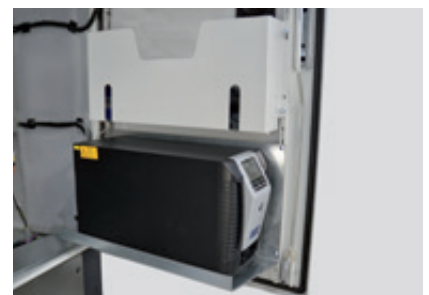
Automatic width adjustment

Infinitely variable adjustment of different wall heights, with minimal setup times.



NC-controlled stopper system

Specification of the placement positions of individual studs, as well as fully automatic clamping and connection of frame work. The frame work remains clamped even while the plates and studs are connected by the nailing devices.



Uninterrupted power supply

Safeguarding of the control computer and controlled shutdown in case of power failure.

FRAMETEQ M-300 combi wall system – Production even in confined spaces

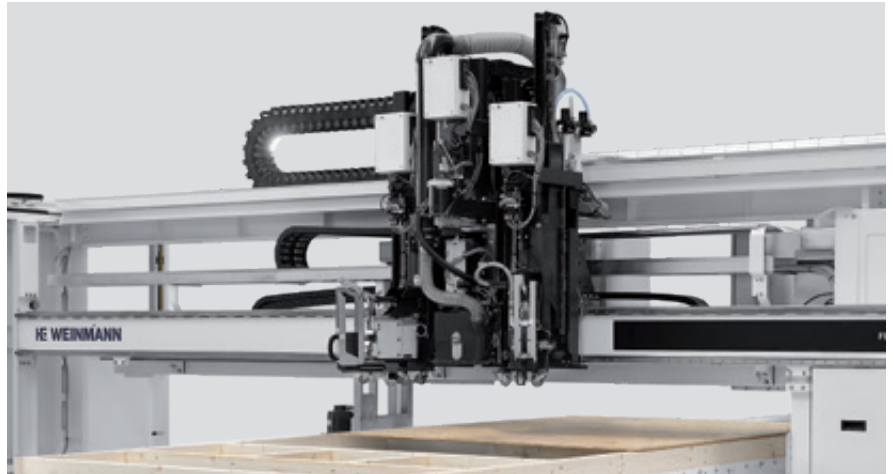
The FRAMETEQ M-300 offers you the ideal solution for the stationary manufacture of frame works. The top and bottom plates are manually fed via a roller track, positioned at the stops and clamped. The NC-controlled stopper system travels to the stud positions specified in the data record and the operator inserts the studs into the respective positions manually. The studs and plates are clamped and connected automatically. The operator places the sheathing on the completed frame work. Finally, the FRAMETEQ M-300 moves over the element and then attaches and processes the sheathing with the installed units. Complete two tasks with just one machine – even in extremely confined spaces.



Highlights

- Low space requirements
- Two work steps, just one machine
- Wall and gable elements can be manufactured

Standard features



Multifunction carrier with integrated stopper system

All units are installed on a carrier system, both for manufacturing the frame work as well as processing the sheathing.

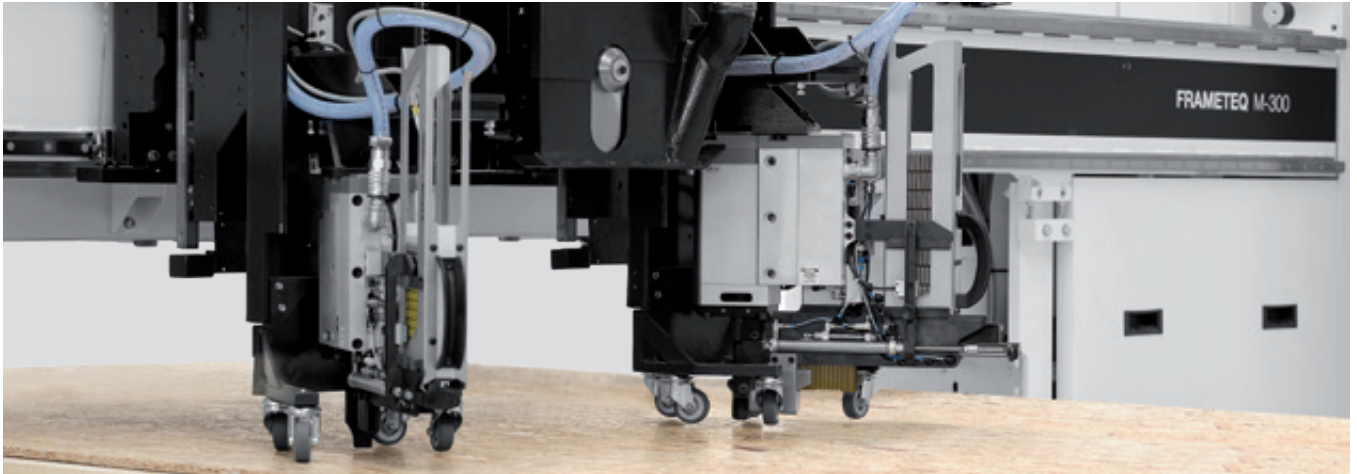
- Frame work production: stop pins for the studs as well as NC-controlled chucks for fastening devices
- Sheathing: fastening and processing units



Fully interpolating routing

The FRAMETEQ M-300 is prepared for a chuck for fastening and processing units with fully interpolating X- and Y-axes. This means that free-forms such as circles, arcs or gable slopes can be manufactured.

Options



Three chucks for processing and fastening devices

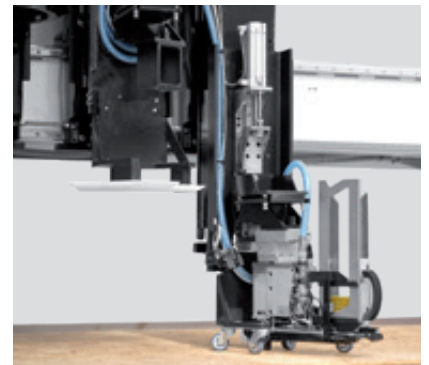
Enables automated movement of units for fastening and processing the sheathing.

- Stapling device
- Milling and sawing unit
- Marking and labeling unit
- Batten shoe for automatic positioning and fastening of slats



Y-axis with NC drive unit

Enables automated movement of units for fastening and processing the sheathing.



Automatic height adjustment for fastening units

The height of the staple/nailing devices is automatically set to two defined positions depending on the sheathing material.



Extended processing area

Frame works with a height of up to 300 mm can be produced.



Adjustable X-stop

For manufacturing of elements with protruding top or bottom plates.



Liftable rollers for longitudinal transport

The finished element is pneumatically lifted and transported to the next station on the rollers.



Gable and window station

Simple production of gable elements as well as installation of window lintels and spandrel beams on free-moving support table as well as a positioning pin that can be moved manually in the Y-direction.



Wooden floors

Sheathing with non-slip surface compensates for differences in height between the ground and the rails and increases work ergonomics and safety.

Stud provision

The stud packages are placed on a sturdy steel table. The table moves to the respective installation position with the FRAMETEQ M-300. This enables the operator to access the studs at any time and insert them in the frame work.



Central extraction system

Minimize the amount of dust.



Cover for width adjustment device

Improved accessibility for the work area thanks to the installation of covers over the guide rails.

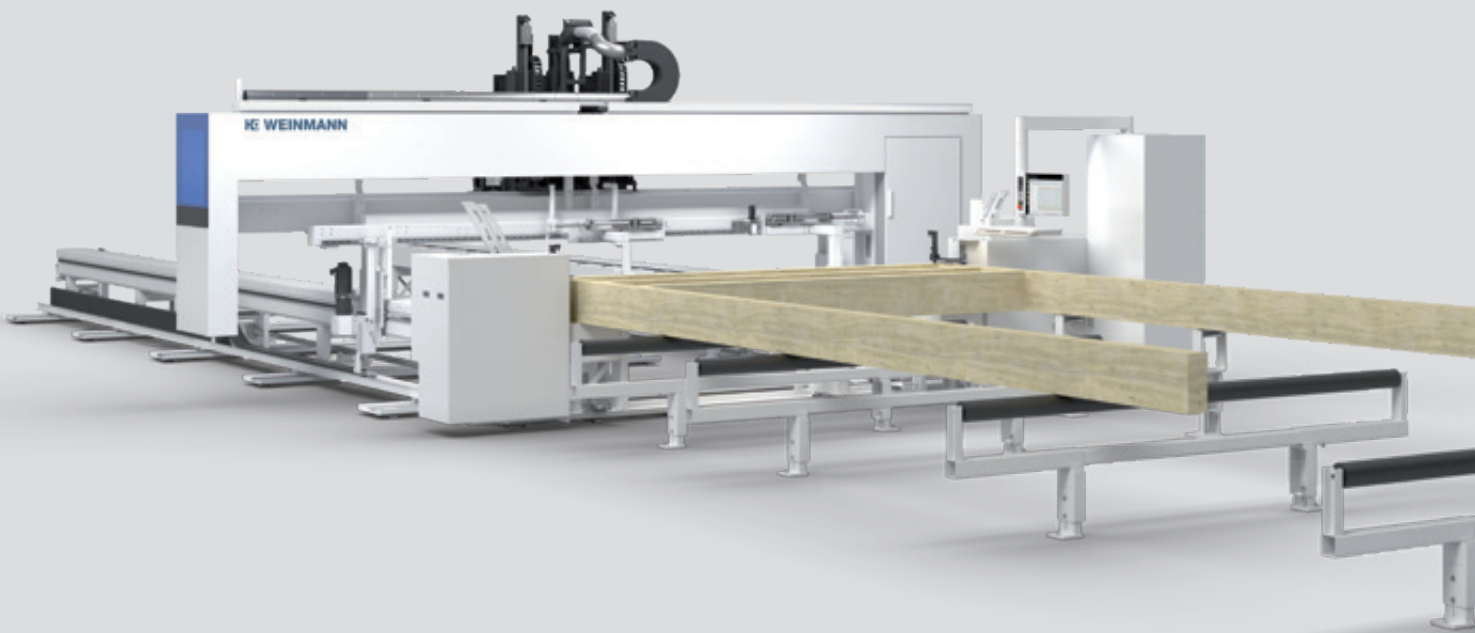


Modules for the switch cabinet

Depending on the requirements, a cooling unit and/or a heating unit is available.

FRAMETEQ M-500 combi wall system – High performance in element production

In this system, the top and bottom plates are also fed manually via the roller track and the operator insert the studs. The integrated outfeed gripper picks up the frame work automatically and transports it to the next insertion position. The finished frame work is transported to the end of the outfeed table, automatically aligned, clamped and the sheathing is applied. Aligning and clamping ensures that the frame work is aligned at a right angle. Subsequent manual alignment is not necessary. The sheathing is attached and processed with the installed devices and the element is completed.



Highlights

- High performance thanks to efficient production processes
- Customized production with no setup time
- High output per m² of occupied production area

Standard features



Frame work stopper system

High level of dimensional accuracy of elements due to traveling NC stopper system.

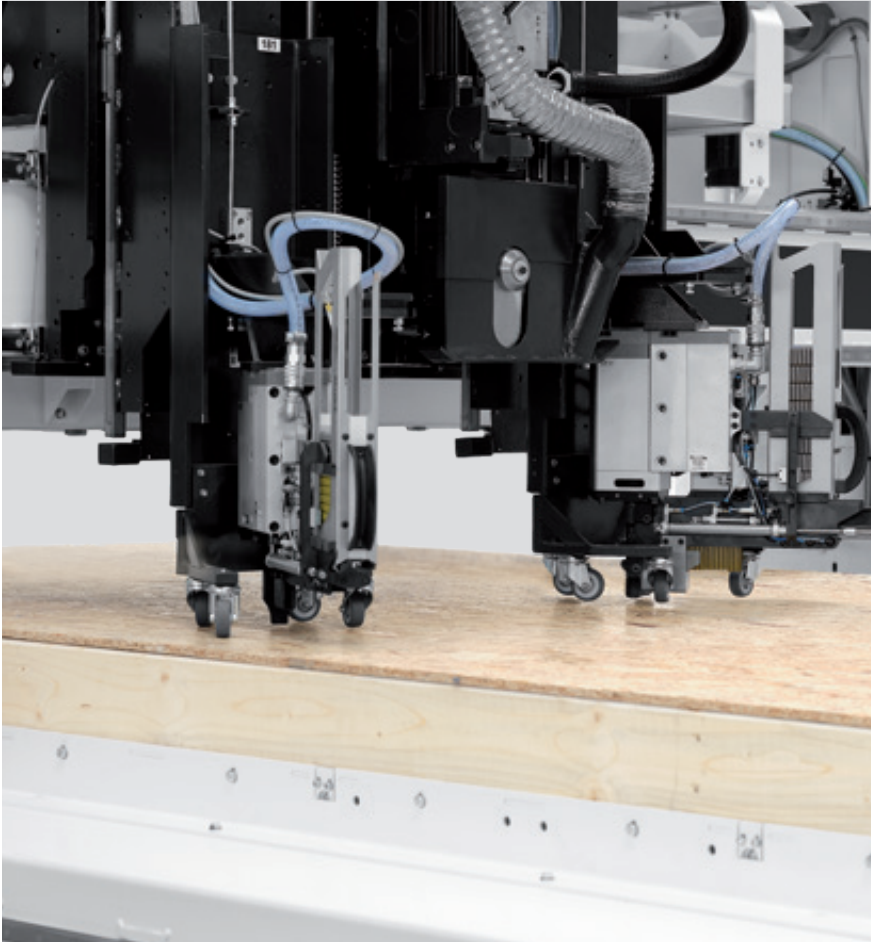
- Infeed-side support rollers for the top and bottom plate
- Clamping and stopper system with automatic width adjustment
- CNC-controlled processing of the Z-axis enables free staple and nail positioning
- Removal with fully automatic clamping and alignment function as well as NC-controlled outfeed gripper with automatic width adjustment
- Outfeed-side roller conveyors with retractable X-stop pin for manual outfeed of the element



Sheathing processing station

- Outfeed gripper with integrated device carrier beams and Y-axis
- Chuck for fastening devices with fully interpolating X-and Y-axes
- Three places for processing or fastening units

Options



Three chucks for processing and fastening devices

Enables automated movement of units for fastening and processing the sheathing.

- Stapling device
- Routing and sawing unit
- Marking and labeling unit
- Batten shoe for automatic positioning and fastening of slats



Stud provision

The stud packages are placed on a sturdy steel table by a forklift truck. The operator removes the studs from there and manually feeds them to the frame work station.



NC-controlled vertical traversing axes for fastening units

Automatic adaptation to different element thicknesses.



Snipping saw unit

Plates are automatically cut to the respective element length of the frame work and multiwalls are split into individual segments with the aid of partial sawing. The plates are clamped pneumatically throughout the sawing procedure.



Nail plate press

Top and bottom plates that are too short are connected in order to manufacture the frame work in the required length.

- Manual actuation of the pressing process
- Two-stage high-performance hydraulic unit
- Optimization software prevents the connection from coinciding with processing. There are no pressings in the area of modules, spandrels and lintels.
- Consideration of the required wood lengths via an unprocessed-part database ensures optimized wood consumption.



Gable and window station

Simple production of gable elements as well as installation of window lintels and spandrel beams on free-moving support table as well as a positioning pin that can be moved manually in the Y-direction.



Automatic longitudinal transport to the subsequent workstation

The finished elements are transported to the subsequent workstation by means of motor-powered transport.



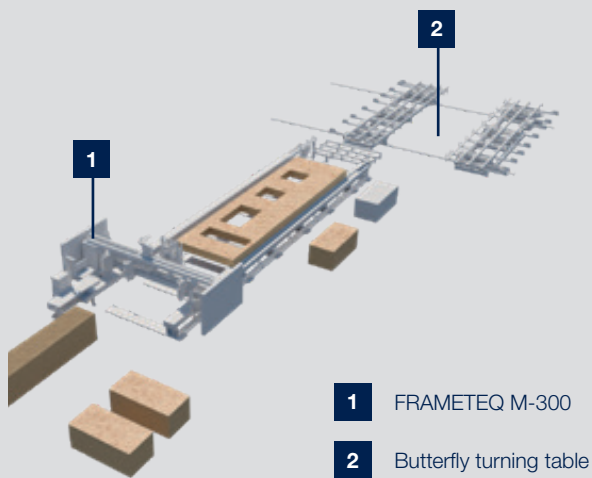
Modules for the switch cabinet

Depending on the requirements, a cooling unit and/or a heating unit is available.

Wide variety of uses

The FRAMETEQ M-300 and M-500 can be combined with butterfly turning tables and multifunction bridges from WEINMANN. The production systems offer solutions for the production of open and closed elements.

FRAMETEQ M-300
with butterfly turning table



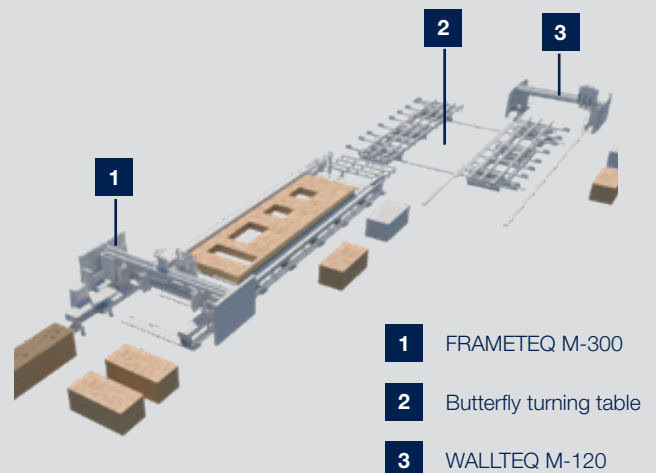
Application

- Open wall elements, insulated and closed on one side with foil
Capacity of up to 110 houses/year *
- Closed wall elements
Capacity of up to 70 houses/year *

Personnel requirements

- Approx. 2–3 employees

FRAMETEQ M-300
with butterfly turning table
and WALLTEQ M-120



Application

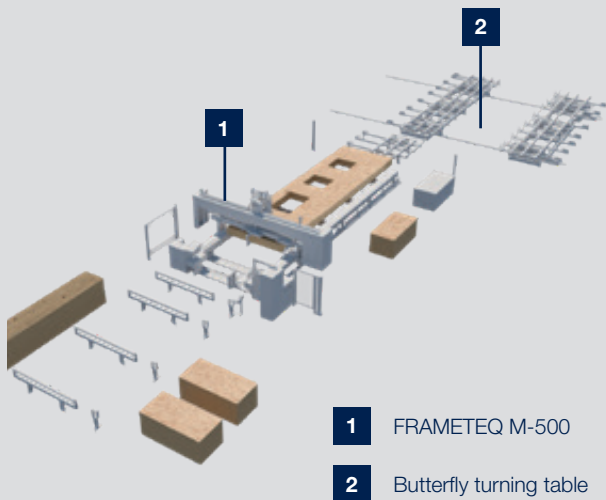
- Closed wall elements
Capacity of up to 150 houses/year *

Personnel requirements

- Approx. 3 employees



FRAMETEQ M-500
with butterfly turning table



- 1 FRAMETEQ M-500
- 2 Butterfly turning table

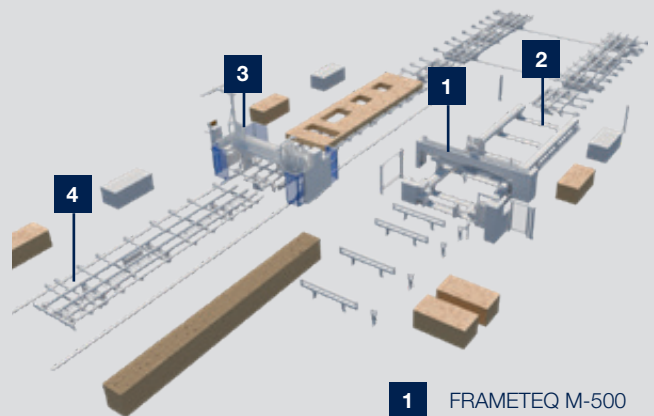
Application

- Open wall elements, insulated and closed on one side with foil
Capacity of up to 150 houses/year *
- Closed wall elements
Capacity of up to 85 houses/year *
- Increased capacity, since FRAMETEQ M-500 can be used as a pure frame work station

Personnel requirements

- Approx. 2–3 employees

FRAMETEQ M-500
integrated in production line



- 1 FRAMETEQ M-500
- 2 Butterfly turning table
- 3 WALLTEQ M-380
- 4 Element tables

Application

- Closed wall elements
Capacity of up to 180 houses/year *

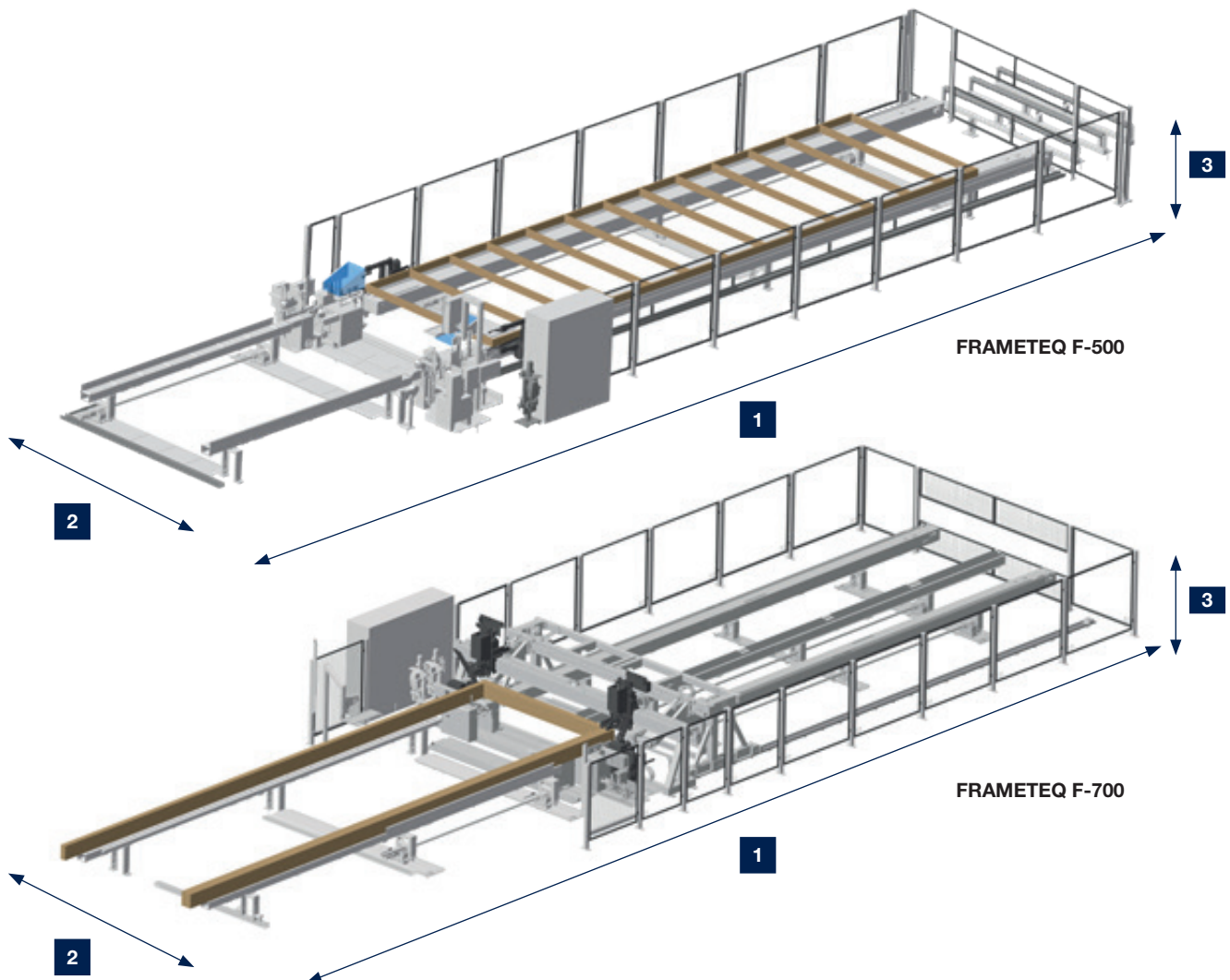
Personnel requirements

- Approx. 4-5 employees

*All capacity information relates to the manufacture of wall elements; depending on the wall construction

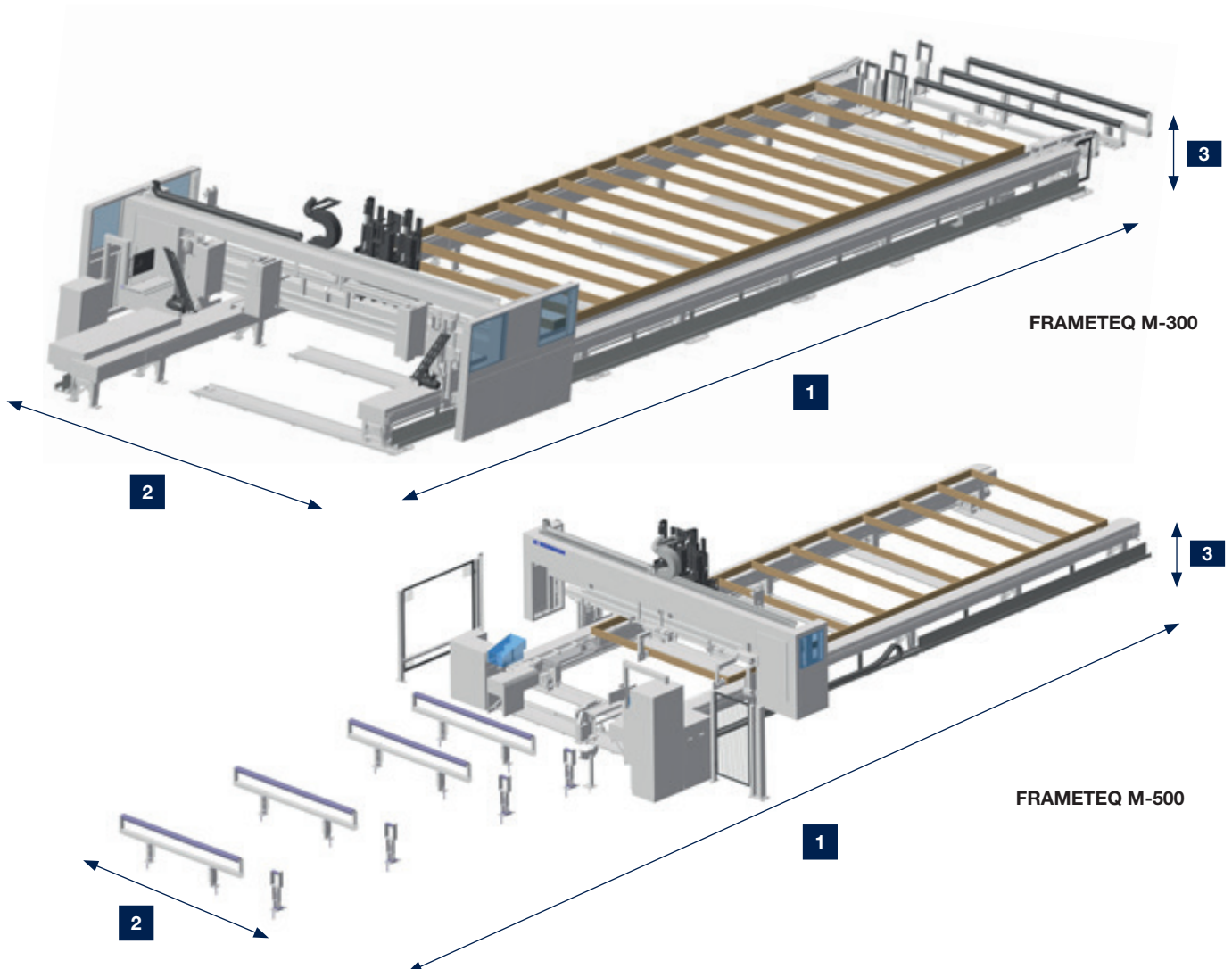
FRAMETEQ F-300/500/700 technical data

PRODUCT DIMENSIONS	FRAMETEQ F-300	FRAMETEQ F-500	FRAMETEQ F-700
Plate cross-sections	38 x 75 to 80 x 200, optionally up to 300		38 x 75 to 200 x 300
Stud cross-sections	38 x 75 to 80 x 200, optionally up to 300		38 x 75 to 160 x 300
Min. frame work thickness (mm)	75		
Max. frame work thickness (mm)	200 (optionally up to 300)		300
Min. frame work height (m)	1.5		
Max. frame work height (m)	3.2 (optionally up to 3.8)		
Wall length	6 / 8 / 10 / 12		
MACHINE DIMENSIONS			
1 Length (m)	15.1 / 17.1 / 19.1 / 21.1		16.5 / 18.5 / 23 / 25.5
2 Width (m)	6.6 (optionally: 7.2)		7 (optionally: 7.6)
3 Height (m)	2.1		



FRAMETEQ M-300/500 technical data

PRODUCT DIMENSIONS	FRAMETEQ M-300	FRAMETEQ M-500
Plate cross-sections	38 x 75 to 80 x 200, optionally up to 300	
Stud cross-sections	38 x 75 to 80 x 200, optionally up to 300	
Max. frame work thickness (mm)	200 (optionally up to 300)	
Max. element thickness (mm)	250 (optionally up to 300)	
Min. wall height (m)	1.2	
Max. wall height (m)	3.2 (optionally up to 3.8)	
Wall length	6 / 8 / 10 / 12	
MACHINE DIMENSIONS		
1 Length (m)	12.5 / 14.5 / 16.5 / 18.5	15 / 19 / 24 / 26
2 Width (m)	6.6 (optionally: 7.2)	8.2 (optionally: 8.8)
3 Height (m)	3.2	

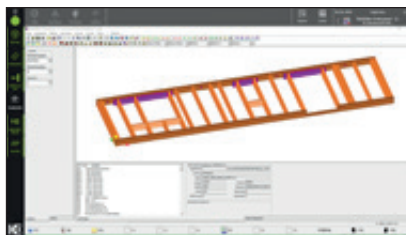


Software — The foundation for efficient production

Software is becoming an increasingly important factor in the use of machines. To enable short routes and realize customer requirements to the best possible extent, we develop the work preparation software and machine software completely in-house. Take advantage of our range of software modules that are perfectly tailored to your machine.

The advantages at a glance

- One software package for multiple machines
- Uniform operation of each WEINMANN machine
- Exceptionally user-friendly
- Easy to understand programs with a simple structure
- Software in your local language
- Complete solutions for the integration of the machine into the manufacturing process
- Coordinated modules
- Modern software architecture
- Free software updates



wupWorks 3

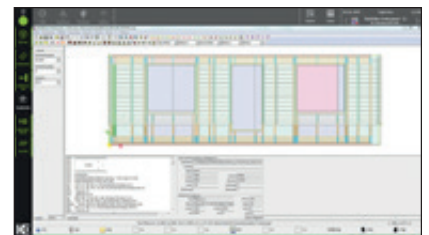
The wupWorks 3 software automatically converts WUP files created in a CAD program into CNC programs.

The corresponding data is displayed graphically as a 3D model. Fully automatic optimization cycles ensure the best results. The software also selects the correct tools automatically.

wupWorks work preparation

wupWorks work preparation allows you to optimize your production orders while you are still in the office. With the time simulation feature, you can determine the processing time and thus optimize your quotation, as well as data control and optimization. The software can generate unprocessed timber lists and automatically match tooling between the machine and the office.

- Less machine downtime thanks to elimination of data record optimization
- Shortening of machine throughput times



wupEditor Basic

In wupEditor, you can read a WUP or BTL file generated in a CAD program, convert it into a drawing and then edit this drawing. In addition, you can use macros to quickly and easily create or complete components and transfer components straight into wupWorks, without using a CAD system.

- Simple data checking
- Fast adjustment and expansion
- Easily create complete components using macro functions
- Create your own macro functions
- Minimal downtime during production; adjust the component directly at the machine
- Graphical 3D display



The next generation of powerTouch: powerTouch2

Faster, more convenient, clearer:

Take advantage of our advanced powerTouch touch user interface.

- Direct and efficient operation, up to 30% faster
- More informative and more transparent thanks to additional information and live preview images instead of program icons
- New applications for the operation and control of machines and plants
- Fresh, attractive design based on the new WEINMANN machine design

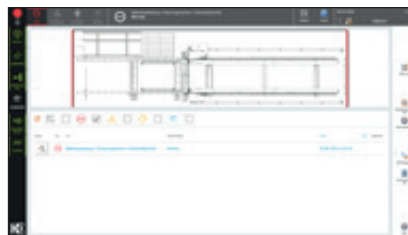


wupClient

The wupClient production line control unit enables communication between individual machines and a production system. The entire flow of data from CAD up to execution by the relevant machine is displayed. The production line control unit (wupServer or external control systems) used in combination with the wupClient installed on the machine provides central control of the production flow. The machines receive the right information at the right time, the elements are produced in the desired order and the outlay for logistics is reduced.

Tool database

The software is used to maintain all tool data, including dimensions, collision dimensions and permitted speeds. A graphical user interface supports the user during data entry, allowing the machine software to select the right tools for the task at hand.

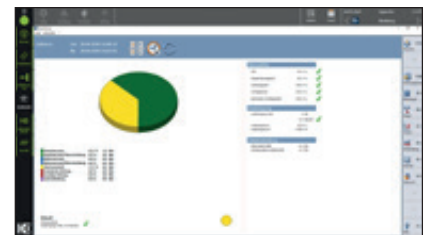


woodScout

The woodScout diagnostic system displays warnings and errors for diagnostic purposes. The program enables systematic troubleshooting, which increases machine availability.

You can also add your own comments to the expert information displayed. The integrated machine documentation automatically opens at the correct location for the fault description in question. The program provides information in a simple and user-friendly way, enabling you to resolve faults quickly and independently.

- Displays faults and warnings
- Quick and easy diagnosis and troubleshooting
- Reduces machine downtime



MMR Basic, Professional & Office

The MMR software module (Machine Monitoring & Reporting) records all production and machine data. The software logs a wide range of important data, including the number of workpieces produced and the run time of the machine. The usage-dependent maintenance instructions ensure that the right maintenance is carried out at the right time.

- Manual justification option when machine is in standby mode
- Display of maintenance information for the necessary service work
- Evaluation of key figures as daily and shift values
- Graphic evaluation of the machine statuses
- Fault analysis of error messages on the machine
- Option to connect to MMR Office to analyze data centrally in the office

Easy to get. And easy to use.

tapio is the open wood industry ecosystem

This means that everyone involved in the wood industry can participate.
Because together with our business partners, we develop digital solutions for everyone.



Just have a try:

Free use of the MachineBoard app! Just register under tapio and „connect“ the machine www.tapio.one. The complimentary usage is limited in time.

Apps that make work easier.

tapio
Partner

DataSave

- Protects machine and configuration expertise
- Faster service for machine breakdowns
- Saves time when restarting production
- Saves on maintenance costs
- Automatic backups of several machines

ServiceBoard

- Create service cases quickly and easily and send them to the correct service partner
- Live video diagnostics to solve service cases with image support
- Video reduces the language and distance barriers
- Also works without a machine connection to tapio (and is therefore ideal for older machines)

MachineBoard

- Push notifications
- Machine data and status can be viewed from anywhere in real time
- Lists of errors, warnings, maintenance tasks and actions
- Displays the remaining time until the next intervention by the machine operator



Free demo for all tapio apps with no registration required. Simply download test.

Currently available in the EU and Switzerland.

(Due to the fast pace of the IT-landscape, the compatibility to the tapio platform is warranted for five years.)

HC LIFE CYCLE SERVICES

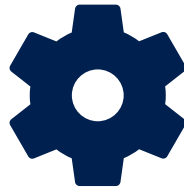
Optimal service and individual consultations are included in the purchase of our machines. We support you with service innovations and products which are especially tailored to your requirements. With short response times and fast customer

solutions we guarantee consistently high availability and economical production – over the entire life cycle of your machine.



REMOTE SERVICE

- Hotline support via remote diagnosis by our trained experts regarding control, mechanics and process technology. Thus, more than 90% less on-site service required and consequently a faster solution for you!
- The ServiceBoard App helps to solve tasks in a fast, simple and concrete way. This is achieved by mobile live video diagnosis, automatic sending of service requests or the online spare parts catalog eParts.



SPARE PARTS SERVICE

- High spare parts availability and fast delivery.
- Ensuring quality by predefined spare parts and wear parts kits, comprising original spare parts.
- Identify and inquire for spare parts online under www.eParts.de 24/7, or buy even faster and more comfortably in the new HOMAG Webshop eCommerce.



MODERNIZATION

- Keep your machinery up to date and increase your productivity as well as your product quality, This is how you can meet tomorrow's requirements today!
- We support you with upgrades, modernization as well as individual consultancy and developments.



DIGITAL SERVICES

- ISN (intelliServiceNet) – The new remote service solution of the future! Fast restart of production because the remote service employee has extensive access to relevant physical data.
- intelliAdvice App – provides help for self-help. The preventive solutions proposed in the new App are the combination of our experiences and existing machine data.



SOFTWARE

- Telephone support and consultancy through software support.
- Subsequent networking of your machinery with intelligent software solutions ranging from construction to production.



FIELD SERVICE

- Increased machine availability and product quality by certified service staff.
- Regular checks through maintenance / inspection guarantee the highest quality of your products.
- We offer you the highest availability of technicians in order to reduce downtimes in case of unpredictable troubles.



TRAININGS

- Thanks to training perfectly suited to your requirements, your machine operators can optimally operate and maintain the WEINMANN machines.
- The training also include customer-specific training documents with exercises proven in practice.
- Online training and webinars. Learn without traveling, meet your trainer in the digital classroom.

For you more than...

1350

service employees worldwide

90%

less on-site service thanks to successful remote diagnosis

5000

customer training sessions per / year

150,000

machines, all electronically documented in 28 different languages – in eParts

WEINMANN Holzbausystemtechnik GmbH

info@weinmann-partner.de
www.homag.com/weinmann

YOUR SOLUTION

