





## Intelligent success is sustainable success. And clearly a matter for forward thinkers.

Behind the fascination of every moment that nature offers us with its complex beauty there is always a concept for tomorrow. We at WINTERSTEIGER have learned a lesson from this. All our developments are characterised by a holistic forward-looking approach which is well thought out and completely sustainable. WINTERSTEIGER's DSB Twinhead thin-cutting band saw is a good example of this.

Due to its flexible design and the extreme low cutting kerf, customers achieve remarkable increases in performance and efficiency using this latest generation of band saw. A result of savings in two ways: material and time.





# Flexibility is adapting to customers' wishes not to common practice.

The quality of investments is measured on the realization of meeting predetermined targets. Thanks to its low cutting kerf of 1.1 mm, the DSB Twinhead is the perfect choice when high output and maximum flexibility are the key factors.

Its compact design ensures a permanently rigid block guidance, fastest adjustments of block and cutting parameters as well as an easy integration of all machine modules. The parallel arranged sawing units perform a straight cut, unaffected from any vibrations arising during the block transport.

The DSB Twinhead meets the highest requirements for flexibility and output when cutting blocks into lamellas for:

- Engineered floors
- Multi-layer boards
- Doors
- Pencil boards and much more

Saw blades developed and produced in-house ensure the best performance of both - machine and tool - with a kerf from 1.1 mm and a lamella thickness from 1.7 mm.



## Your benefits summed up:

### High output with maximum flexibility

- Up to 12000 m<sup>2</sup> in single-shift operation
- Easy adjustment of block dimensions and lamella thicknesses
- Easy integration into automated production plants

### Modular Twinhead configuration

- 2 to 6 saws in modular construction
- Large saw pulleys for optimum reverse bending on the saw blade
- Adjustable pressure guidance system for varying block widths

### Precision block feeding

- Continuous, hard-chrome plated, feeding table for high precision
- Transport system with integrated counter-pressure rollers
- Solid, heavy-duty and vibration-free steel construction

# How to exceed high expectations? By being able to offer benefits as standard.

**Future-oriented success strategies originate in the minds of people whose passion is to achieve something which is above average. Only in this way is it possible to create developments which anticipate not just tomorrow but the day after tomorrow. The DSB Twinhead does this in the field of thin-cutting technology.**

## **Modular Twinhead Arrangement**

The modular Twinhead arrangement of 2 to 6 saws and the sawing units arranged in parallel (one above the other) provide a space-saving solution. The large saw pulleys ensure an optimum reverse bending on the saw blade. A further advantage: the adjustable pressure guidance system for varying block widths.

## **Precise Block Guidance in Compact Design**

The continuous hard-chrome plated supporting table and the transport system with integrated counter-pressure rollers guarantee maximum precision whilst cutting. The DSB Twinhead has a solid, vibration-free steel construction and provides optimum accessibility to the sawing units and machine components.



## **Comfortable Operation of the Machine**

The DSB Twinhead can be operated very comfortably via a large, well-laid out colour monitor employing touch-screen technology. A user friendly menu guides the operator through the program. The software has a memory function for storing process parameters, which are used on a regular basis, a multi-lingual operating interface and numerous service and help menus, e.g. acquisition of operating data, diagnostic and maintenance displays.



Saw blades developed and produced in-house guarantee the best performance of machine and tool.

### Technical specifications

<b>Rated power of main motor per saw unit</b>	18.5 kW / 25 PS
<b>Increased rated power of main motor (optional)</b>	22.0 kW / 30 PS
<b>Saw pulley diameter</b>	915 mm (36")
<b>Suction nozzle (units/diameter)</b>	
2 modules	1 x 200 mm (8")
3 or 4 modules	2 x 200 mm (8")
5 or 6 modules	3 x 225 mm (9")
<b>Air speed</b>	30 - 32 m/s
<b>Compressed air</b>	7 bar; 200 l/min



### Block Data

<b>Maximum cutting width</b>	300 mm (12")
<b>Maximum block height</b>	75 mm (3")
<b>Minimum block length</b>	500 mm (20")

### Cutting Data

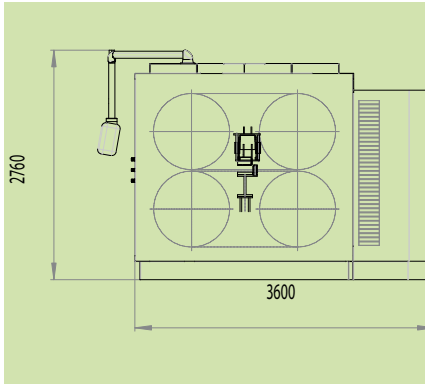
<b>Feed speed</b>	5 - 25 m/min (16 - 82 ft/min)
<b>Saw speed</b>	10 - 60 m/sek (33 - 197 ft/sec)
<b>Cutting accuracy</b>	from +/- 0.15 mm (0.006")



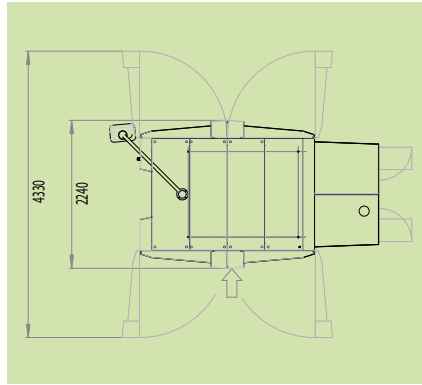
### Saw blade

<b>Thickness of saw blade</b>	from 0.7 mm (0.027")
<b>Cutting kerf</b>	from 1.1 mm (0.043")
<b>Length of saw blade</b>	5500 mm (216")
<b>Width of saw blade</b>	from 45 mm (1 3/4")

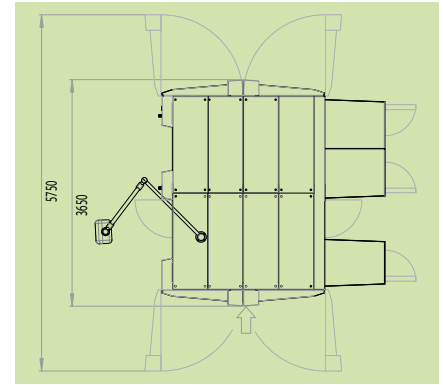




Front view



Bird's eye view (2 - 4 modules)



Bird's eye view (5 - 6 modules)

Dimensions	2 - 4 modules	5 - 6 modules
Height	approx. 2760 mm (109")	approx. 2760 mm (109")
Width	3600 mm (142")	3600 mm (142")
Depth	2240 mm (88")	3650 mm (144")
Depth with open doors	4330 mm (170")	5750 mm (226")
Working height	approx. 1300 mm (51")	approx. 1300 mm (51")
Working height (with foundation pit)	approx. 1100 mm (43")	approx. 1100 mm (43")
Weight	approx. 8500 kg (18700 lbs)	approx. 13000 kg (28600 lbs)
External control cabinet	approx. 1000 kg (2200 lbs)	approx. 1000 kg (2200 lbs)

We reserve the right to make technical alterations.

### Option: Fully automatic process



# WINTERSTEIGER After Sales Service. Support starts where delivery ends.

The best time for assessing the quality of an investment is in the many years after its delivery. Therefore WINTERSTEIGER has established a global after sales service.

## Installation and training

WINTERSTEIGER ensures both with its experts world-wide and of course on site.

## Support

We provide continuous support to quickly optimize the profitability of the machine for our customers.

## Proactive maintenance

Maintenance and preventive active replacement of pre-defined wear parts at firmly defined times (e.g. during company holidays) which also helps to keep maintenance and repair costs to a minimum.

## Contracts for consumables and saw blades

These agreements enable us to plan our annual requirements in advance and save costs which of course we pass on immediately to our customers.

Other benefits:

- Just-in-time delivery of saw blades
- Availability at short notice
- Warehousing of saw blades by WINTERSTEIGER

## Helpdesk on call service

This service underlines our high level, global service commitment to our partners and ensures first-class support even outside our normal business hours.





The seed of our success lies in the soil  
which nature prepares for us.



# WINTERSTEIGER Woodtech.

## The value of wood increases with the level of its finish.

Wood as a sustainable and growing resource with all its brilliant properties is being rediscovered more intensively than ever before. Thin-cutting in particular is proving to be one of the key technologies in the processing of wood. WINTERSTEIGER already has over 30 years of know-how in this segment and has been a market leader for many years.

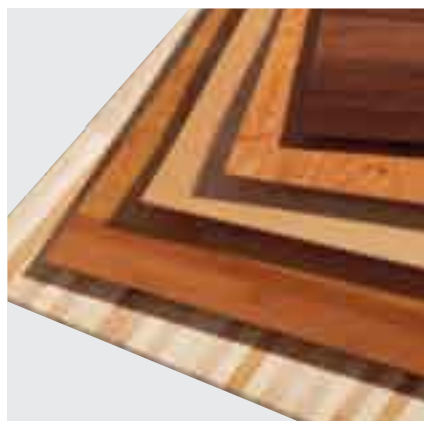
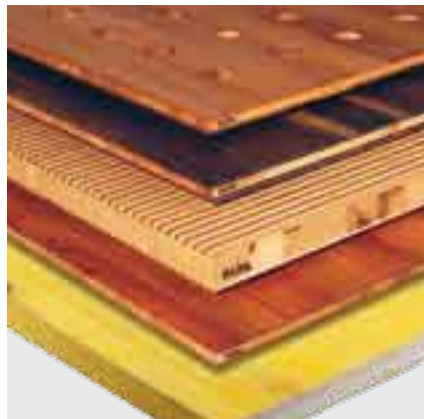
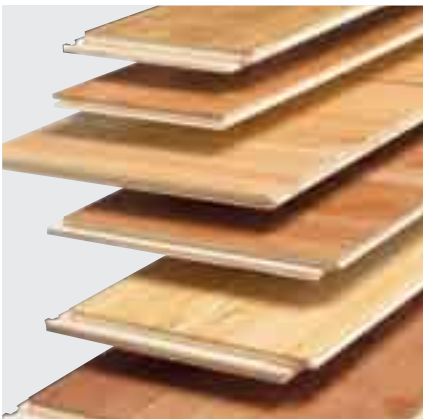
Sales of more than 1000 thin-cutting frame saws underline WINTERSTEIGER's global market leadership which is based on a philosophy that is transparent and pursued consistently: To create clear added values for the future by being receptive to innovation whilst offering high-performance and excellent operating reliability.

WINTERSTEIGER's technology offers absolutely perfect conditions for the production of products like

- Engineered floors
- Multi-layer boards
- Doors
- Windows
- Furniture
- Pencil boards
- Musical instruments and many more.

Conceived and put into practice by a team of users, technicians and designers, the entire product range of thin-cutting frame saws to the technology for gluing and pressing excels with a wide variety of advantages.

- High precision
- Minimum cutting kerfs
- Ready to glue surfaces
- Further processing of lamellas without additional work stages



# WINTERSTEIGER.

## A global player. Worldwide.

The world has changed dramatically since the founding of WINTERSTEIGER over 50 years ago. Internationalisation of markets, technological revolutions and the topic of resource consumption have left their mark on our company. One thing, however, has always remained the same:

### The principle of “productivity”

Computer-aided planning and design at WINTERSTEIGER results in fully automated production processes in high-tech production plants.

### The principle of “qualification”

Victories start in the mind. The same applies to corporate success. For this reason, we consider a high level of specialist qualification and consistent professional development to be a key part of our global strategy.

### The principle of “sustainability”

With every product which leaves our company we provide a twofold promise for the future aimed at economic sustainability and careful management of resources.

### The result:

- 14 subsidiaries
- 60 representations
- Deliveries to 130 countries throughout the world
- World market leader in each of its 3 business areas

### Division SPORTS

Total solutions for rental and servicing of skis and snowboards



### Division SEEDMECH

Total solutions for agricultural field experiments



### Division WOODTECH

Total solutions for precise thin-cutting of wood





Success begins with the right decision at the right time.  
Contact us now!



**WINTERSTEIGER**  
Thinking about tomorrow.

#### Headquarters:

**Austria:** WINTERSTEIGER AG, 4910 Ried, Austria,  
Dimmelstrasse 9, Tel.: +43 7752 919-0, Fax: +43 7752 919-58,  
woodtech@wintersteiger.at

#### International Companies:

**France:** SKID WINTERSTEIGER S.A.S., Parc d'activités  
ALPESPACE, Voie Galilée, F-73800 St Hélène du Lac,  
Tel.: +33 4 79 25 11 60, Fax: +33 4 79 25 11 61,  
office@skid-wintersteiger.com

**Southeast Asia:** WINTERSTEIGER SEA PTE LTD, Singapur 569084,  
2 Ang Mo Kio Street 64 #05-03A, Tel.: +65 6363 3384,  
Fax: +65 6363 3378, markchang@wintersteiger.com.sg

**USA:** WINTERSTEIGER Inc., 4705 Amelia Earhart Drive,  
Salt Lake City, UT 84116-2876, Tel.: +1 801 355 6550,  
Fax: +1 801 355 6541, mailbox@wintersteiger.com

#### Representations:

**Australia/New Zealand:** Seaford. **Brazil:** Bento Goncalves. **Chile:** Temuco. **China:** Hongkong. **Finland:** Lahti. **Israel:** D.N. Mercuz. **Poland:** Chróscice. **Portugal:** Maia.  
**Russia:** D-Wertheim. **Spain:** Durango. **Sweden:** Lindas. **Turkey:** Ankara. **Ukraina:** Kiev.