



Maschinenbau GmbH

# The perfect shredder for flexibility and high performance



The middle range-  
rugged and  
versatile

## The shredders of the WL 6 – WL 6 S series reliable technology for all timber materials

The slow-turning single-shaft shredders of the WL 6 - WL 6 S series are constructed according to the requirements of the woodworking industry. All types of timber waste such as splintered pieces,

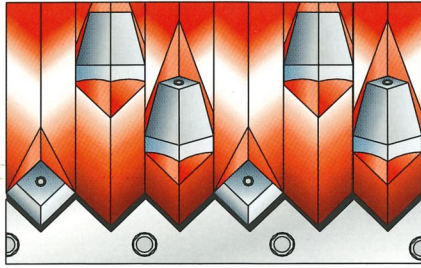
pallets, chipboard etc. can be shredded. The basic models are equipped according to customer requirements (throughput rate, rotor and hopper design etc.).

Wood Division

Shredding systems for professionals



**WL 6 - WL 6 S series technology**



**Patented V-rotor**

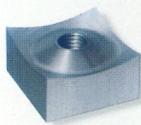
- Optimum material intake
- Minimum cutting knife wear
- Low power consumption yet high output
- Narrow cutting gap between rotor and counter-knife
- Defined knife projection

The profiled V-rotor is machined in one piece and mounted in sturdy rotor bearings. Special knife holders are welded into milled knife pockets around its circumference.

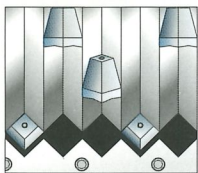
The cutting knives are inserted into these and screwed in place from behind. As a result, high-speed knife changing is possible because the design prevents the screw heads from being damaged during shredding.

The concave cutting knives can be turned four times and guarantee a precision cut at high throughput rates. Two rotor diameters are used:

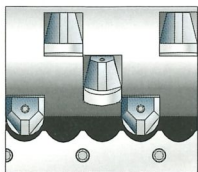
- 252 mm (WL 6)
- 368 mm (WL 6 S)



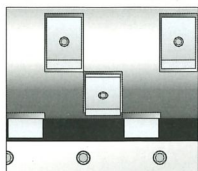
**Other rotor versions**



Profiled rotor with cutting knives inserted in the recesses



Flat rotor with round or pot knives



Flat rotor with rectangular or square turnable knives

**The perfect shredder – for flexibility and high performance**

**Series WL 6 – WL 6 S**

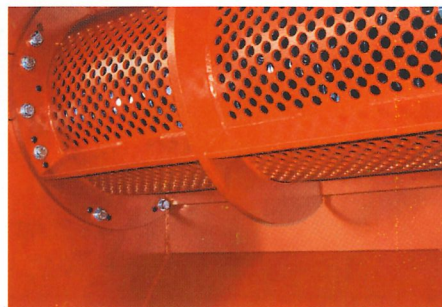
**The reliable shredder for larger volumes of timber waste**

Shredders of the WL 6 - WL 6 S series are used for shredding large quantities of timber waste. The machines are fitted with 800 mm wide, high strength rotors. Models 6 S and higher with 22 kW out-

put are also fitted with a hydrodynamic starter clutch in addition to the automatic star-delta circuit to ensure soft rotor start even when the hopper is completely full.



Basic models of the WL 6 - WL 6 S series



The screen size perforation determines the size of shreds



WL 6 S with spiral conveyor



V-rotor with two knife rows



WL 6 S with conveyor belt



## The perfect shredder - for flexibility and high performance

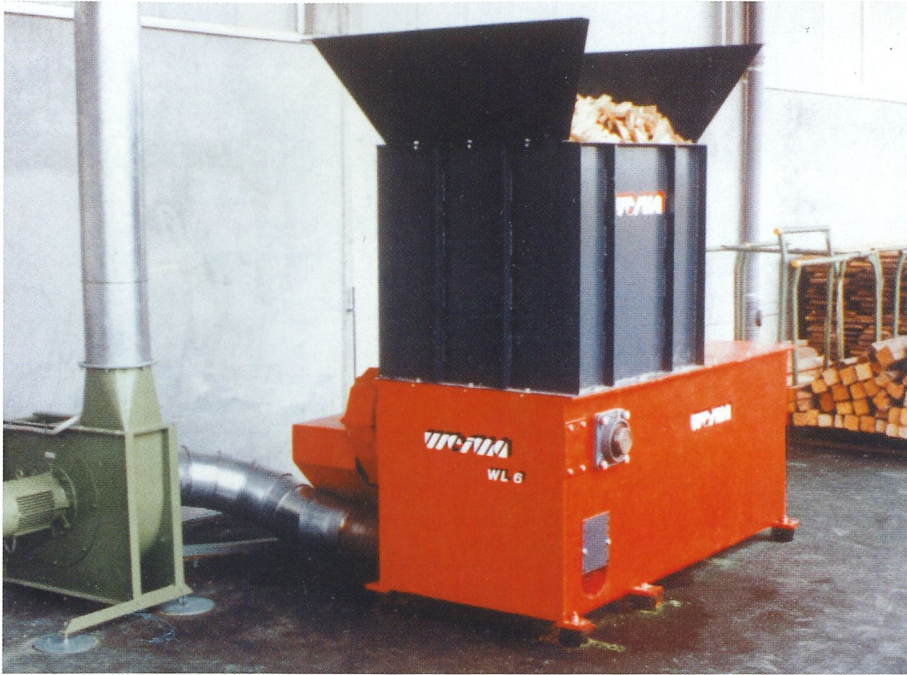
Series WL 6 – WL 6 S

### /// The shredders of the WL 6 – WL 6 S series in use

Material is fed through the hopper to a hydraulic ram which is operated according to load and presses the material against the rotating rotor. The inserted material is shredded between the rotating knives and a counter knives which are fixed in place.

The ram is fitted with scraper rails which prevent any unwanted material being pulled between the ram and machine housing.

The material can be transported out by spiral conveyor, an extraction system, a conveyor belt or a chain conveyor.

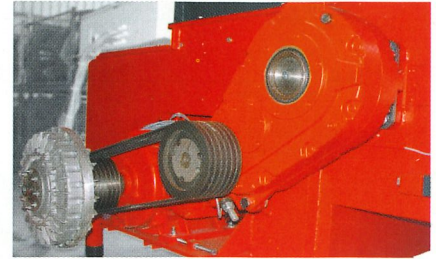


WL 6 series shredder with a connected extraction system



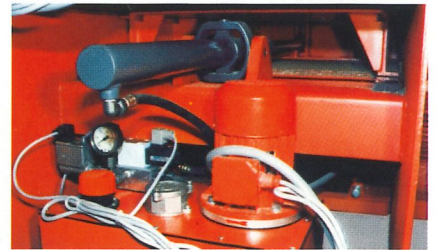
WL 6 S series shredder, material loading by fork-lift truck with tripper

### /// WL 6 - WL 6 S series technology



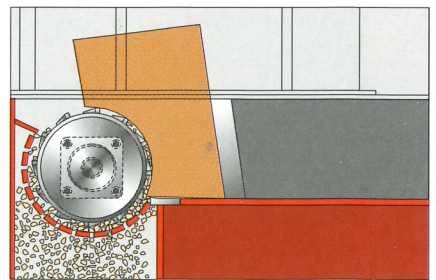
#### Power drive

The machines are driven by an electric motor with up to 37 kW drive output which is transmitted to the rotor by hydro-clutch (from 22 kW), v-belts and gears.

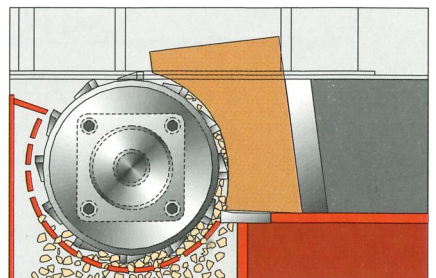


#### Enclosed hydraulic system

The ram's hydraulic system is located inside the machine body to protect it against wood dust and damage. The hydraulic cylinder is suspended by cardanic joints so that any unwanted lateral force on the piston cup is avoided.



Rotor diameter with 252 mm with high throughput capacity



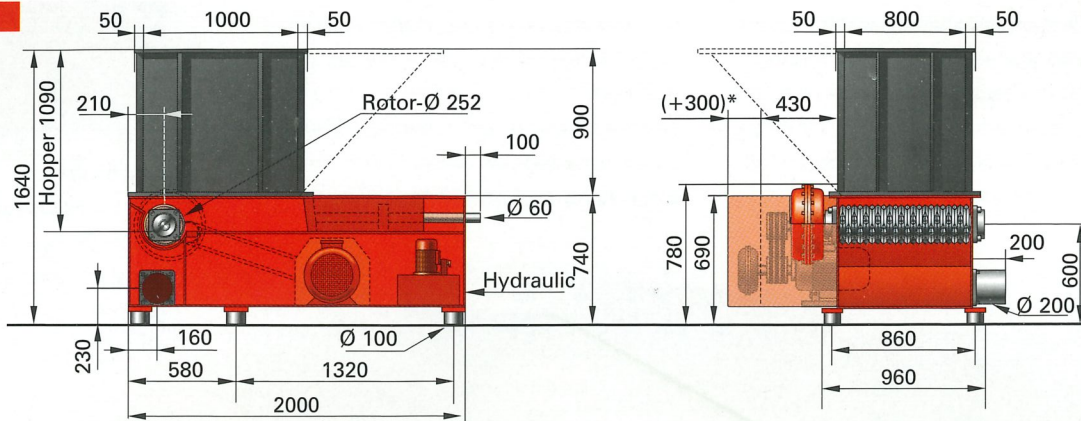
Rotor diameter with 368 mm for big blocks and pieces with larger screen surface for an extra high output



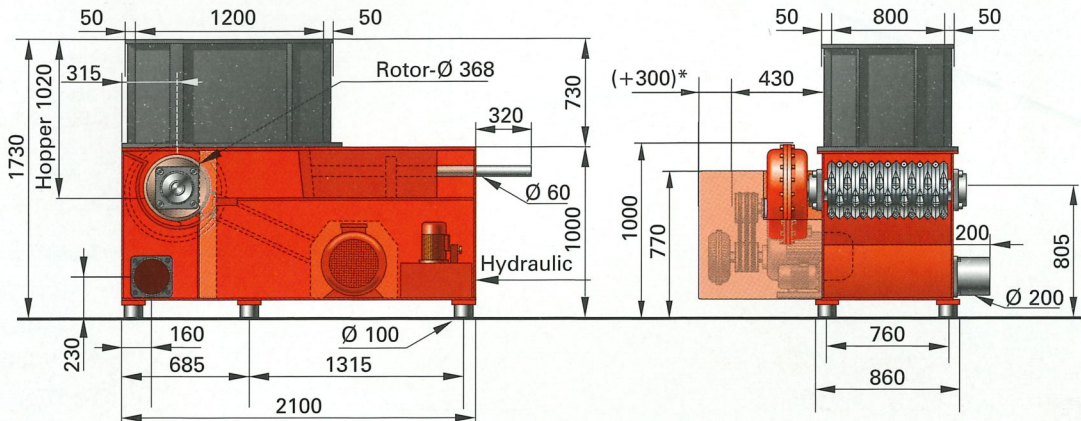
Technical Data

Series WL 6 – WL 6 S

WL 6



WL 6 S



	WL 6	WL 6 S	
Hopper opening:	800 mm x 1.000 mm	800 mm x 1.200 mm	* < 22 kW with hydro-centrifugal clutch SPC control for fully automatic controlled operation (optional extra), special designs on request. <b>Demonstrations and tests with your materials are possible in our technical laboratory by prior agreement.</b>
Hopper volume:	0,9 m <sup>3</sup>	1,0 m <sup>3</sup>	
Throughput:	depending on material and screen size		
Rotor diameter:	252 mm	368 mm	
Rotor length:	800 mm	800 mm	
Rotor speed:	60 - 100 rpm	60 - 100 rpm	
Power:	15/18,5/22* kW	18,5/22*/30/37 kW	
Tools:	21 knives	23/42 knives	
Screen size:	10 bis 40 mm	10 bis 40 mm	
Connection-Ø:	200 mm	200 mm	
Air speed:	28 m/sec.	28 m/sec.	
Weight:	approx. 1.500 kg	approx. 2.000 kg	



**WEIMA Maschinenbau GmbH**  
Gewerbegebiet Bustadt  
D - 74360 Ilsfeld (Germany)

Phone: +49 (0) 70 62 / 95 70 - 0  
Fax: +49 (0) 70 62 / 95 70 - 92

Internet: [www.weima.com](http://www.weima.com)  
E-Mail: [info@weima.com](mailto:info@weima.com)

**With locations in**  
Ternberg, Austria  
Northants, Great Britain  
La Ferté s. Jouarre, France  
Harjumaa, Estonia  
Fort Mill (SC), USA

**and more than 50 sales offices worldwide!**

How to find us:

