



# The Altendorf WA 8.

World-leading quality. For all types of cutting.





2

THE ALTENDORF WA 8





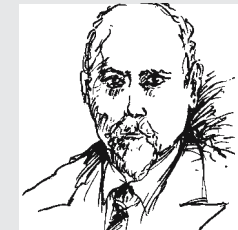
## Altendorf – world market leader for sliding table saws.



Altendorf in Qinhuangdao, China.



Altendorf in Minden, Germany.



Wilhelm Altendorf:  
Inventor of the sliding  
table saw and founder  
of the company.

■ In 1906 company founder Wilhelm Altendorf invented the sliding table saw. 100 years and over 120,000 machines later, Altendorf is the world market and technology leader. Not least because as specialists we are constantly working on the further development of our high-precision and versatile table saws.

Altendorf has two production sites: one at its headquarters in Minden, Germany and one in Qinhuangdao, China, since 1995. The WA 8 is made using the latest production technology. To ensure our high standards of quality, every machine is thoroughly tested, checked and certified.



## WA 8: Superb cutting quality at an affordable price.



*WA 8 with manual rise/fall and tilt adjustment of the saw blade.*

*WA 8 with manual rise/fall and tilt adjustment of the saw blade and large extraction hood (optional).*



The WA8 cleanly cuts wood, plastics and non-ferrous metals.



The motor: 5.5 kW (7.5 HP) with linear height adjustment.



The proven Altendorf double roller carriage with steel bar guidance.



Manual rise/fall and tilt adjustment of the saw blade.

■ **Amazing technology.** The WA8 boasts a multiplicity of technical features that make it a highly versatile machine for any workshop. Fully equipped with everything a woodworker needs day-in, day-out. Work with the WA8 – you will be amazed!

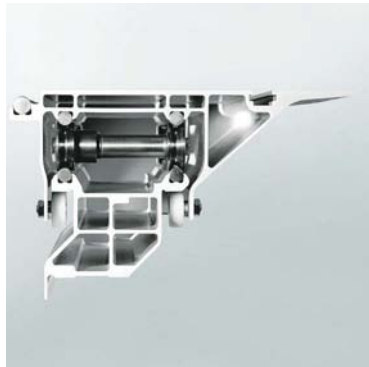
■ The WA8 was developed specially for companies who need to keep a tight rein on their budget, but who do not want to sacrifice quality. At the same time it has the ideal features for use as a second machine. The WA8 is capable of executing all cuts that a modern workshop requires. An Altendorf WA8 will do a perfect job for you every time, no matter whether you are cutting wood, plastics or non-ferrous metals.



## Altendorf WA 8 – The fully featured saw for professionals.



*Short sliding table: if requested, the machine can also be supplied with a 1800 mm table – at no extra charge.*



*Multi-chamber system for maximum rigidity of the double roller carriage.*



*Crosscut fence: for accurate crosscutting. Cutting range: 95 – 3200 mm.*

---

### SPECIFICATION DETAILS:

---

Sliding table: 3200 mm, cutting length: 3100 mm

Cutting height: 87 mm

Saw blade diameter: up to max. 315 mm,  
which drops down completely below table level

Cutting width to rip fence: 1000 mm

Crosscutting on the crosscut fence to 3200 mm

---

### MOTOR:

---

Drive rating 5.5 kW (7.5 HP)

Three speeds 3000/4000/5000 rpm

Belt change: simple with release of bracket,  
easy access to motor

Milling tools up to 15 mm can be used

Scoring unit 0.75 kW (1 HP), 8200 rpm

---

### RIGHT OF THE SAW BLADE:

---

Ergonomically grip recess in machine table

Mechanical lock on rip fence in front of saw blade

Easy to adjust graduated scale

Large support area

---




---

**HOOD:**


---

Small safety hood for maximum saw blade diameter of 315 mm,  
mounted on riving knife with extraction socket

---



---

**LEFT OF THE SAW BLADE:**


---

Precise robustly mounted crosscut fence  
for simple setting and accurately reproducible 90°  
Perfectly square connection of cross slide to sliding table  
Flip stops with bilateral mountings clamp rightly  
to securely hold the set dimension  
Easily removable cross slide  
One-sided mitre fence, +/- 45°

---



---

**SAW BLADE ADJUSTMENT:**


---

Height adjustment with linear guidance  
Tilt adjustment: manual up to 46°  
Digital tilt angle display

---



---

**OPTIONAL EQUIPMENT:**


---

Sliding table: 1800 mm, cutting length 1650 mm  
Large safety hood, max. saw blade diameter 400 mm  
Cutting width to rip fence 1300 mm  
DUPLEX, double-sided mitre fence  
STEG, second support on the sliding table  
RAPIDO scoring system

---



*Rip fence: smooth and precise.*



*One-sided mitre fence.*



*Scoring unit: separate motor with  
0.75kW (1 HP) and separate  
on/off switch.*

■ The Altendorf WA8 is designed to satisfy the most stringent quality standards. Its solid build quality makes it more than capable of withstanding the daily rigours of a professional woodworking shop and ensures it will last for years and years. The comprehensive basic specification of the Altendorf WA8 is already impressive. After taking delivery, you can put your machine into operation straightaway – it comes already set up and ready to go, with a minimum of assembly required. So it's a joy to work with the WA8 right from the start.



## Optional equipment.



*Large extraction hood, laterally adjustable, max. saw blade diameter of 400 mm.*



*DUPLEX: double-sided mitre fence for cutting any angle between 0 and 90° very quickly and easily.*



*STEG: second support on the sliding table (width 400 mm).*



*RAPIDO: shimless scoring system. Adjustment range 2.8 – 3.8 mm.*





**SLIDING TABLE CUTTING LENGTHS**

Sliding table length	With or without scoring saw blade	
1800 mm	1650 mm	
3200 mm	3100 mm	

These cutting lengths refer to mechanical travel,  
i.e. from end stop to end stop on the sliding table.

**CUTTING HEIGHTS**

Saw blade diameter	250 mm	300 mm
Cutting heights at 90°	0 – 55 mm	0 – 80 mm
Cutting heights at 45°	0 – 38 mm	0 – 56 mm

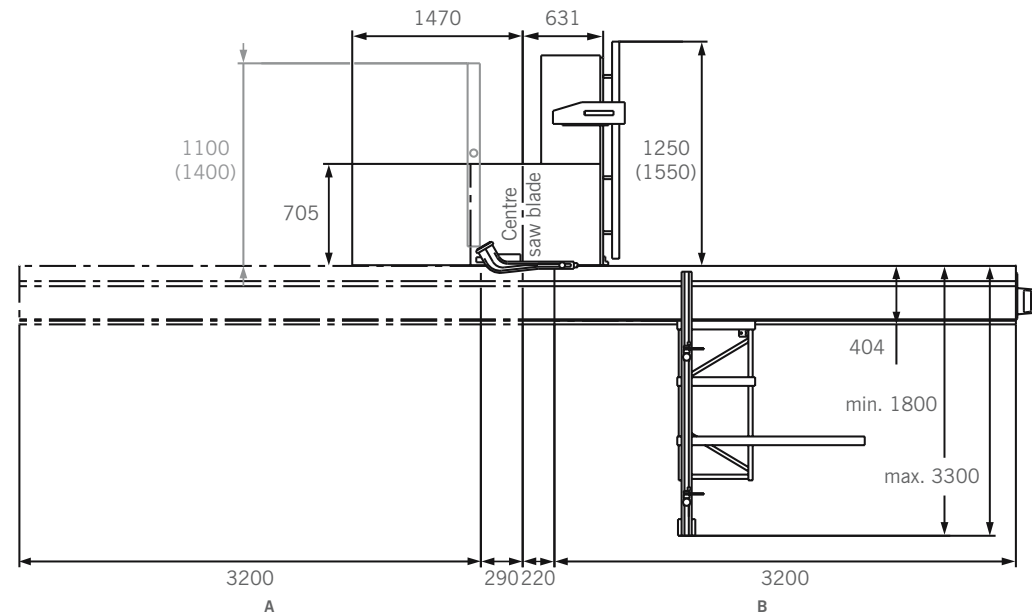
Saw blade diameter	315 mm	350 mm	400 mm
Cutting heights at 90°	0 – 87 mm	0 – 105 mm	0 – 130 mm
Cutting heights at 45°	0 – 60 mm	0 – 73 mm	0 – 91 mm

<b>MACHINE WEIGHT</b>	<b>TABLE HEIGHT</b>
1030 kg	910 mm

**SPACE REQUIREMENTS**

A sliding table length + 290 mm
B sliding table length + 220 mm

**Technical specifications.**



The machine specification will vary according to regional standards.  
Some illustrations of machines depict special equipment which is not included in the basic price. Right of technical modification reserved.

©ALTENDORF® 2006. Order number K9690.0467

05/2007



## Trimming and ripping



The clamping shoe secures the board on the double roller carriage.



Align and trim the material along the cutting line.



Guide the workpiece along the rip fence and over the rotating saw blade, using the push stick if necessary.

## Sizing



Make a square cut.



Position the rip fence in front of the saw blade, set to the required length and cut.



Cut the remaining piece to size on the crosscut fence.

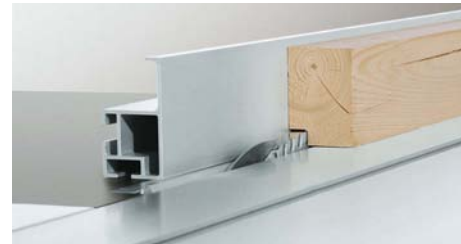
## Chamfering and concealed cuts



Fix the workpiece under the clamping shoe and cut the chamfer.



Set the height of the blade and the width on the rip fence.



Set the height of the riving knife to 2 mm below the top of the saw blade teeth and position the rip fence behind the saw blade.



## Squaring



Align the panel and make a trim cut.



Turn the panel anti-clockwise and place the trimmed edge against the fence.



Cut to square.

## Dividing up and sizing



Cut panel strips on the rip fence.



Cut panel strips to final length on the rip fence.



Cut the remaining piece to size on the crosscut fence.

## Angle and mitre cuts



Tilt the saw blade to the desired angle, lay the workpiece against the crosscut fence.



Bevel ripping on the rip fence with workpiece on the sliding table.



Mitre cut using one-sided mitre fence.



Wilhelm Altendorf GmbH & Co. KG · Wettinerallee 43/45 · 32429 Minden · Germany  
Phone +49 571 9550-0 · Fax +49 571 9550-111 · [sales@altendorf.de](mailto:sales@altendorf.de) · [www.altendorf.com](http://www.altendorf.com)