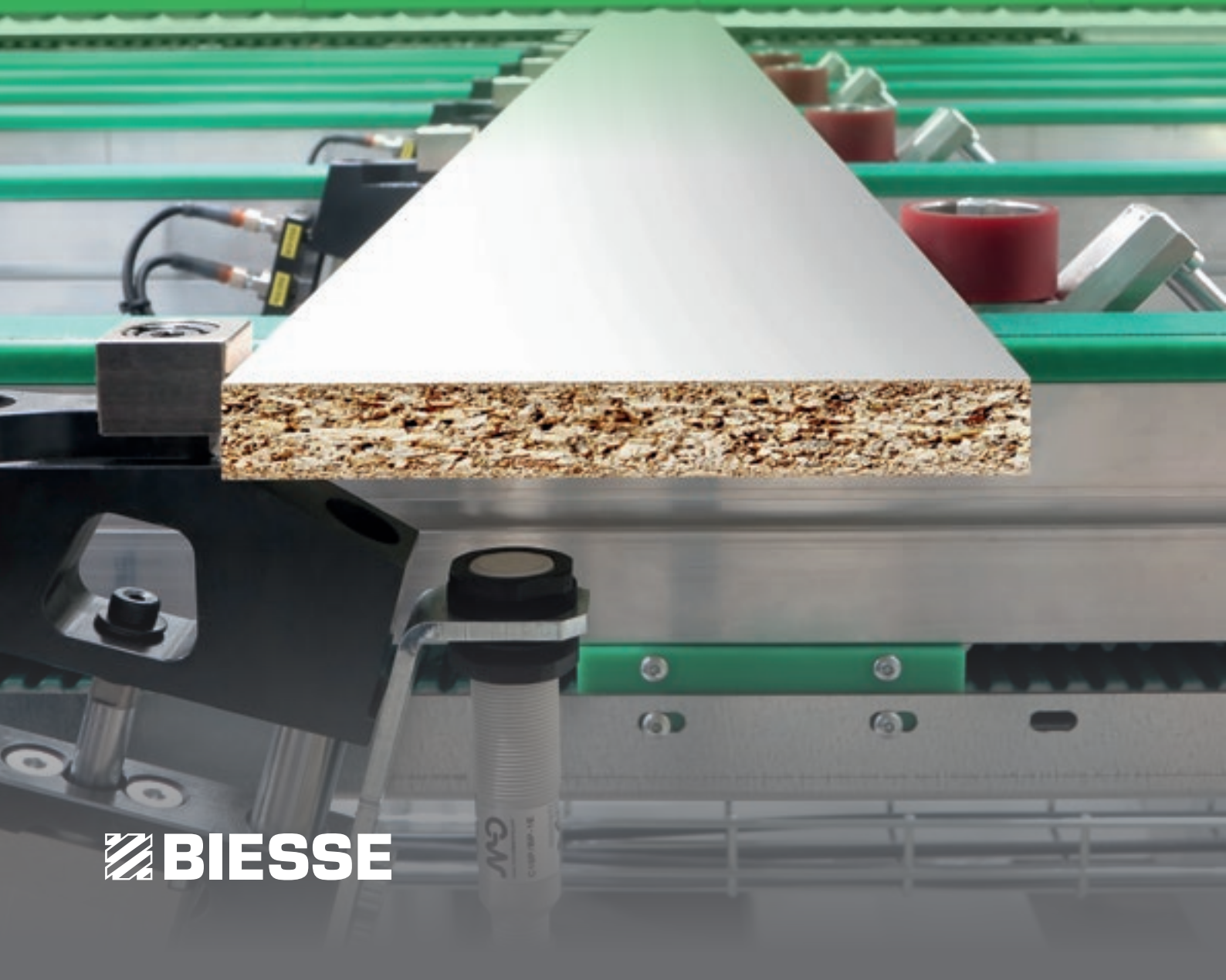


STREAM EAM B MDS

FLEXIBLE SINGLE-SIDED
SQUARING AND EDGEBANDING
MACHINES



 **BIESSE**

THE PERFECT COMBINATION OF FLEXIBILITY AND PRODUCTIVITY



THE MARKET DEMANDS

a change in manufacturing processes that enables companies to **accept the largest possible number of orders**. This is coupled with the need to maintain high quality standards while offering product **customisation** with quick and defined delivery times, as well as responding to the needs of the most highly automated enterprises.

BIESSE MEETS

these requirements with **technologically advanced solutions** that enhance and support technical expertise as well as a knowledge of processes and materials. **Stream B MDS** is the ideal flexible single-sided squaring and edgebanding machine for small batches that meets the need for total flexibility of medium to large companies. It can be integrated into automatic production lines, guaranteeing increased productivity, squareness and finished panels of different shapes and sizes. Designed to minimise factory floor footprint, costs and impact, it allows users to perform Batch-one operations both simply and effectively.



STREAM B MDS

- ✓ EXCELLENT SQUARING QUALITY AND PERFECT MEASURING
- ✓ HIGH LEVEL OF FLEXIBILITY DUE TO PERFECT MANAGEMENT BY LINE SUPERVISOR AND BARCODE SYSTEMS
- ✓ MAXIMUM CUSTOMISATION WITH ENDLESS LINE SOLUTIONS
- ✓ PRODUCTION EFFICIENCY DUE TO AUTOMATED PANEL LOADING AND UNLOADING SYSTEMS.

EXCELLENT SQUARING QUALITY AND PERFECT MEASURING

Designed for the company that needs to diversify the production of small batches of panels according to market trends, the MDS (Measuring Dimensioning System) squaring module guarantees the same squaring quality as a squaring and edgbanding machine and is capable of continually processing both mixed batches of panels with different formats and mini-batches of panels with the same format.

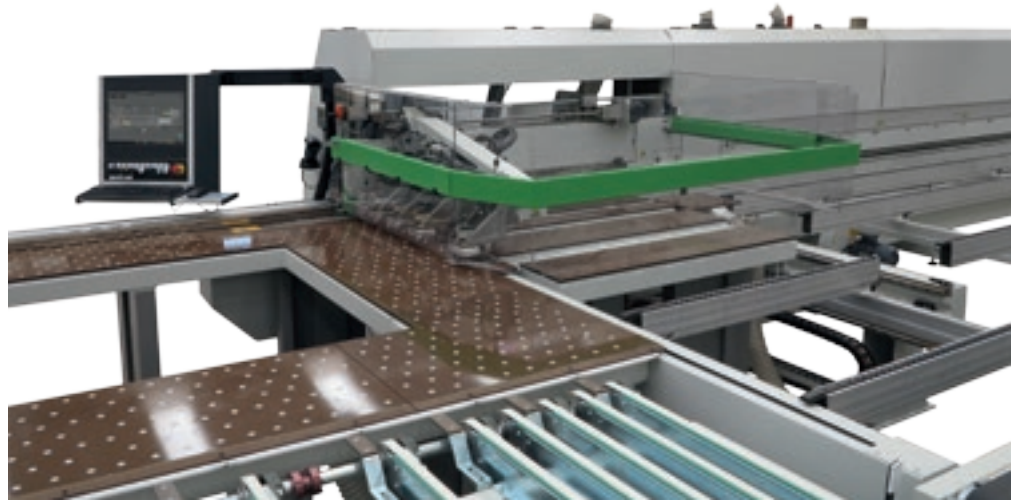


The external milling machine guarantees that the two longitudinal sides are perfectly parallel. The linear guides and brushless motor guarantee precise, real time positioning between one piece and another.



JUST ONE OPERATOR CAN CONTROL THE ENTIRE LINE BOTH IN THE MANUAL 1.1 AND AUTOMATIC 2.0 VERSIONS.

Stream B MDS 1.1 squaring module



Stream B MDS 2.0 squaring module.

HIGH LEVELS OF FLEXIBILITY

Perfect management by line supervisor and barcode management.



The **line supervisor** controls the flow of material in the Stream B MDS and can see the state of the machine, the position and number of panels and the working processes in REAL TIME. Quick control of work lists and possibility of selecting two different working operations:

- ✔ Batch-one
- ✔ Batches

With block control, the type of machine can also be changed for each panel in real time without reducing operating speed.



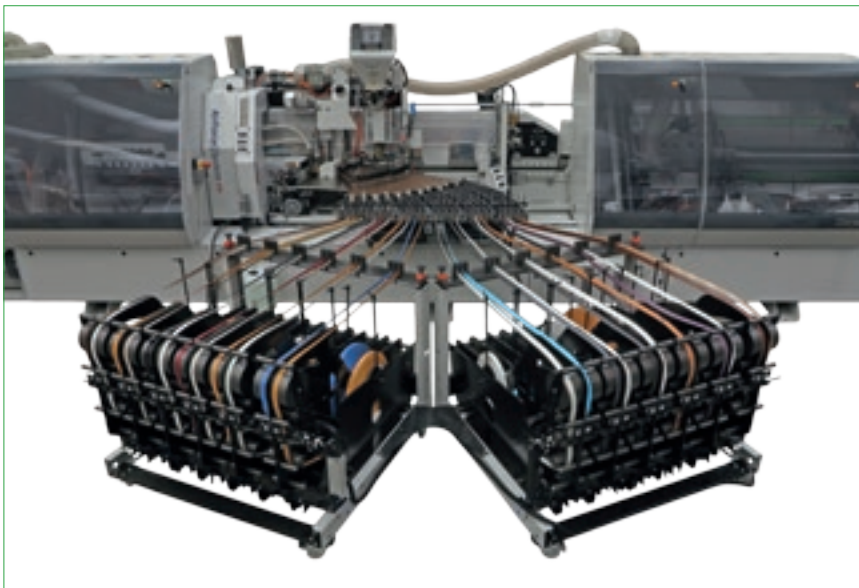
BAR-CODE management

Stream B MDS has a suite of programs and manual or fixed BARCODE (QR code or linear code) scanning systems that leave no room for error since they are able, in one scan, to provide all the information required for panel machining.

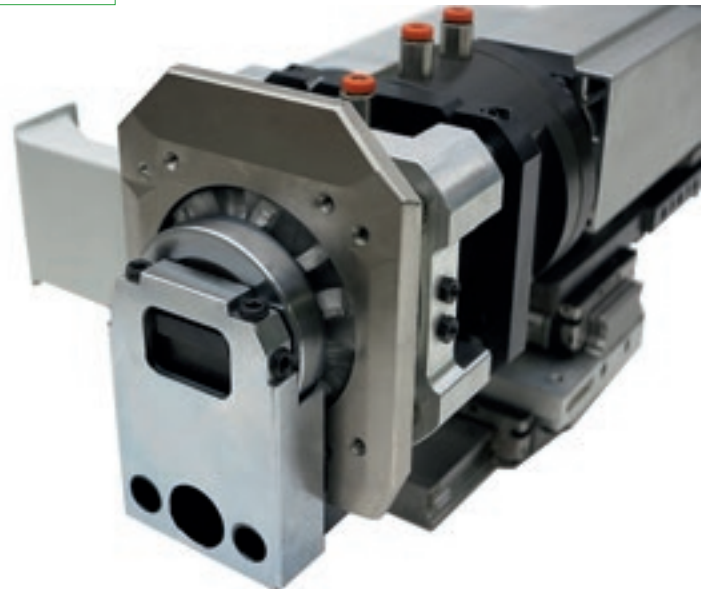


PRODUCTION EFFICIENCY

In both the 1.1 and 2.0 versions, Stream B MDS is not affected by different panel formats so it can produce pieces continuously, even if the sequences are highly variable.



Gluing unit with multiple edge management. Thanks to a magazine that can house a wide combination of edges and the AFS integrated system, the unit guarantees unprecedented flexibility and quality.



Q-System is an on demand flexible multi- radius system designed for the multi-purpose corner rounding unit in the Biesse Stream edgebanding machine range. Q-System patented chuck with real-time profile change.

TECHNOLOGICAL SOLUTIONS CREATED TO GUARANTEE HIGH QUALITY STANDARDS.

AIR FORCE SYSTEM

INVISIBLE EDGE BANDING

No joints and no glue line, in perfect harmony with the panel.

Air Force System, available on Biesse edgebanding machines, is based on the physical principle of convection. By using a compressed hot air system, the edge bonds perfectly with the panel guaranteeing resistance to water and heat and an excellent long lasting quality finish.



HIGH PRODUCTIVITY OF UP TO 500-600 PIECES PER SHIFT



STREAM B MDS 1.1

In version 1.1, designed to meet average production requirements (500-600 pieces per shift), the operator has all the necessary supports for carrying out the sequences without excessive workloads. The multi-belt systems and air cushion surfaces allow the pieces to be moved, loaded and unloaded without any physical strain.



PERFECT SQUARE-EDGING IN 4 STEPS



Step 1

In Step 1 the panel is milled on the two longitudinal sides to guarantee that they are perfectly parallel. The inner side is edgebanded.



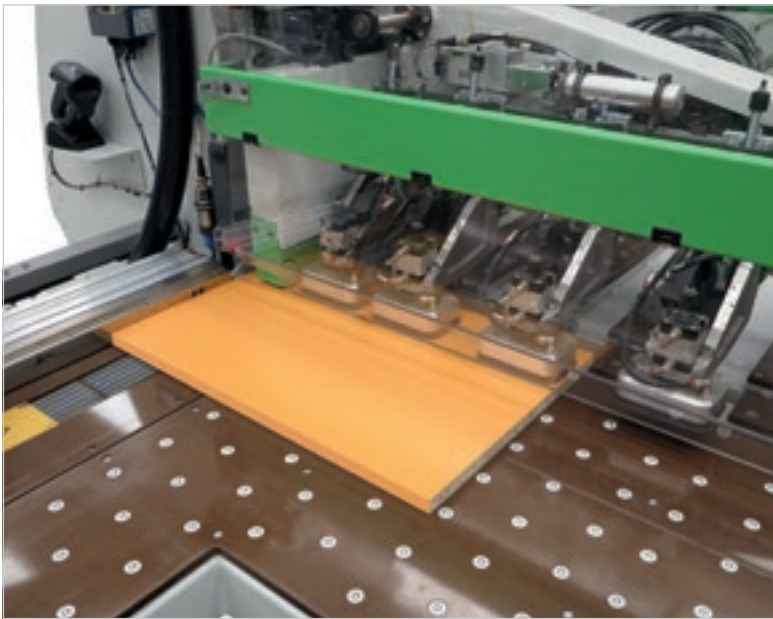
Step 2

In Step 2 the panel is edgebanded on the second longitudinal side. The external milling machine is lowered so that the panel can rest on it.



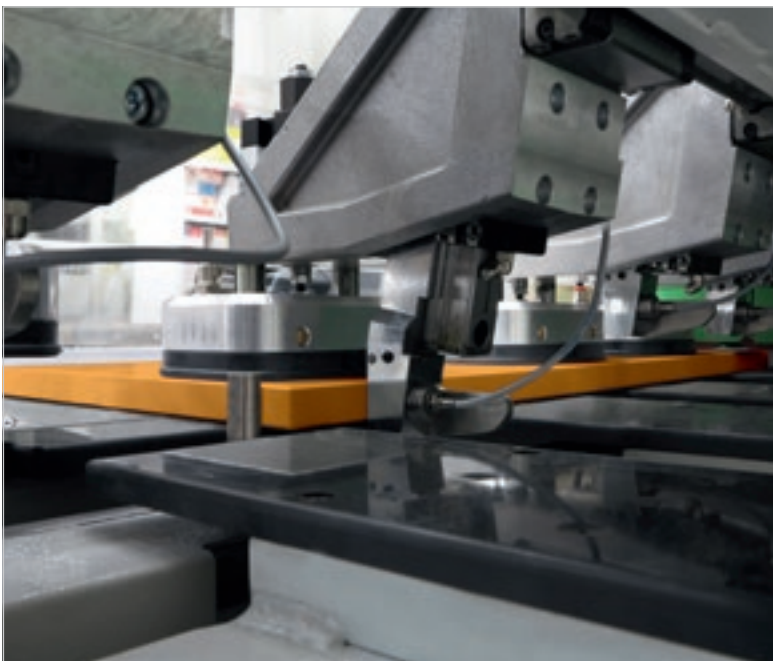
Step 3

In Step 3 the mechanical arm guides the panel using stops and suction cups to guarantee perfect 90° squaring of the first transversal side.



Step 4

In Step 4 the mechanical arm guides the panel using stops and suction cups to guarantee perfect 90°deg squaring of the last transversal side. Patented thickness tracer system for measuring and positioning the piece so that the final size of the panel can be machined.

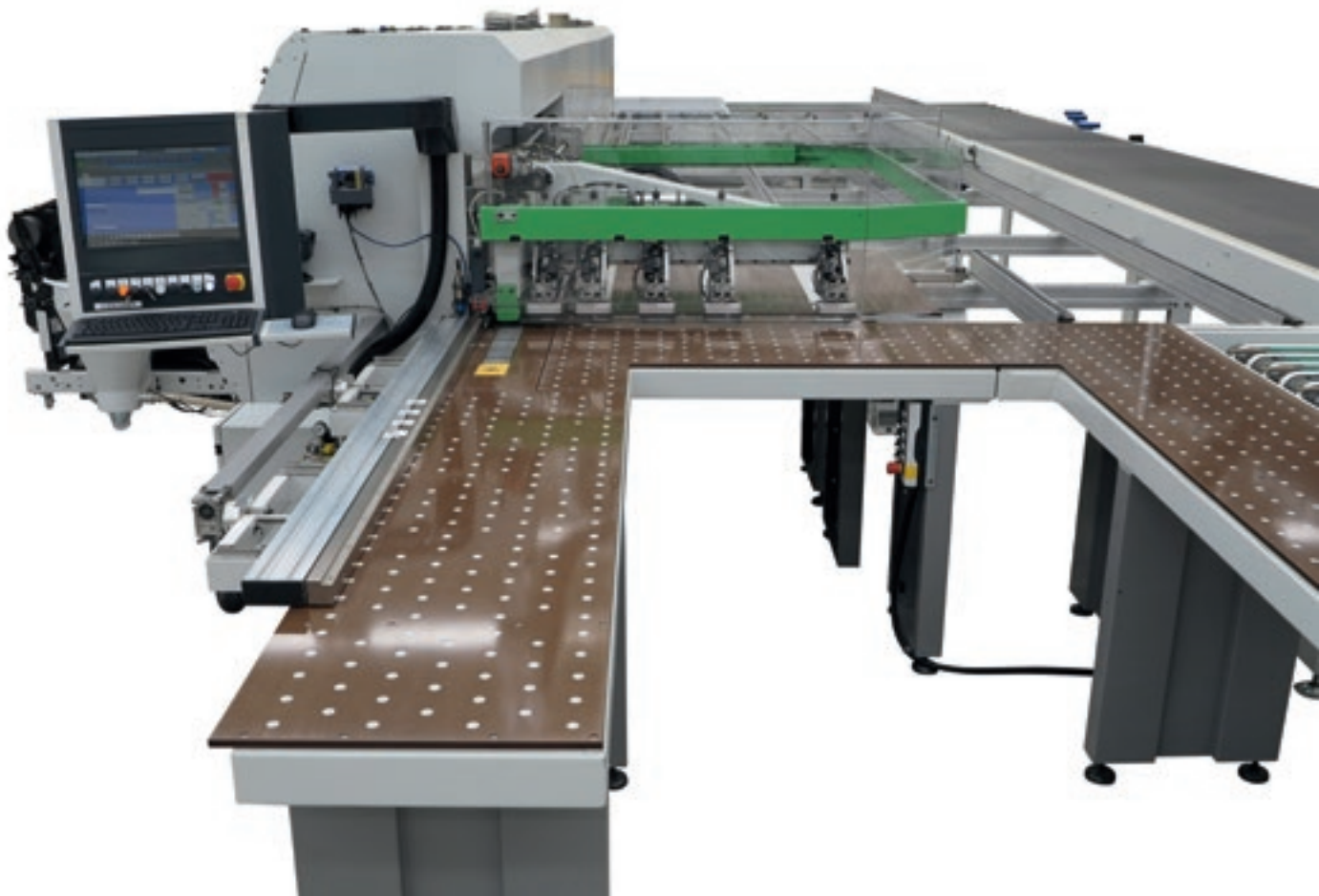


RAPID, PRECISE INSERTION OF PANELS

The manual loading Stream B MDS 1.1 is a perfect combination of streamlined control and production efficiency. Its air cushion surfaces and mechanical arm make the loading of panels, even large ones, quick and precise.



The mechanical arm ensures that the panel is easily inserted and squared.

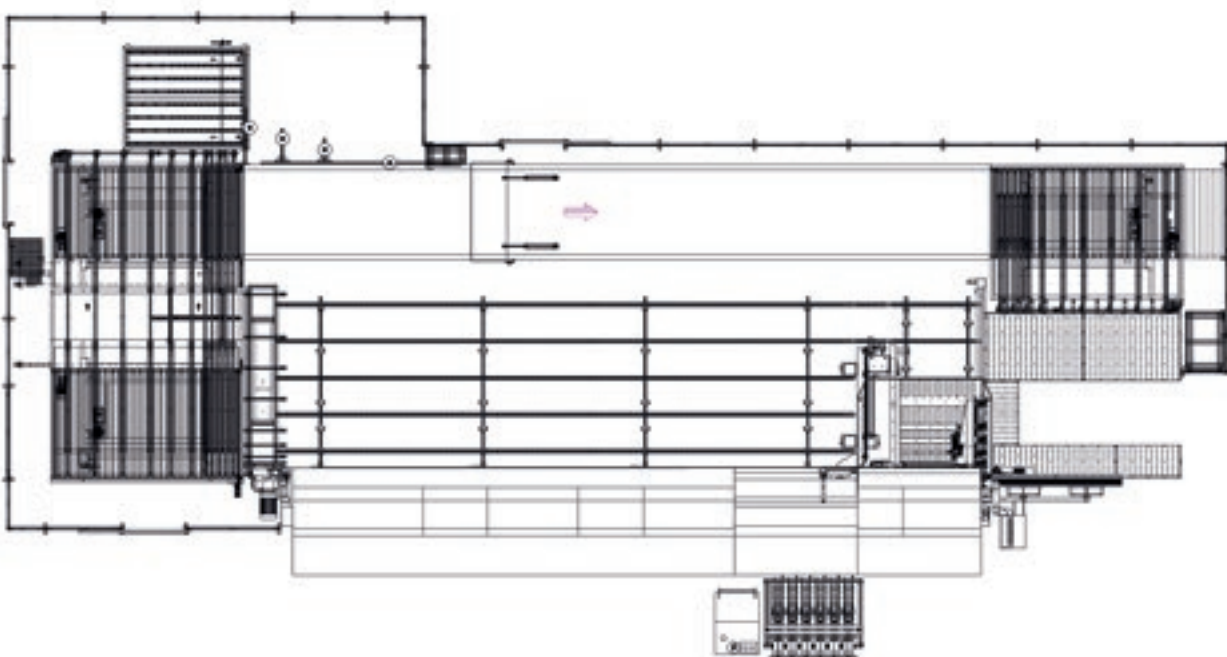




The squaring module consists of an insertion area that ensures that the panel enters the machine perfectly.

The high precision brushless motor system and the pressure wheels guide the panel towards the squaring area.

Stream B MDS 1.1 with PRS EVO panel return system



BATCH ONE

FLEXIBILITY FOR SMALL BATCHES

A single project based on various machines and processes, with one important production target. A wide range of Biesse solutions ranging from cutting to flexible boring, with special attention paid to the piece squaring quality.

The batch-1 process on Stream B MDS 2.0 allows the user to process small groups of different panels in sequence according to the specific production requirements, with zero set-up time and maximum production optimisation (for up to 1200 pieces per shift).



MAXIMUM PRODUCTIVITY OF UP TO 1200 PIECES PER SHIFT



STREAM B MDS 2.0

Stream B MDS 2.0 is designed to be operated both automatically and manually. Robots, loaders or any other interlock system can be easily integrated in this version of the machine.

Depending on the type of handling used, Stream B MDS 2.0 can produce up to 1000-1200 pieces per shift without any restrictions on the format or type of edgebanding strip.

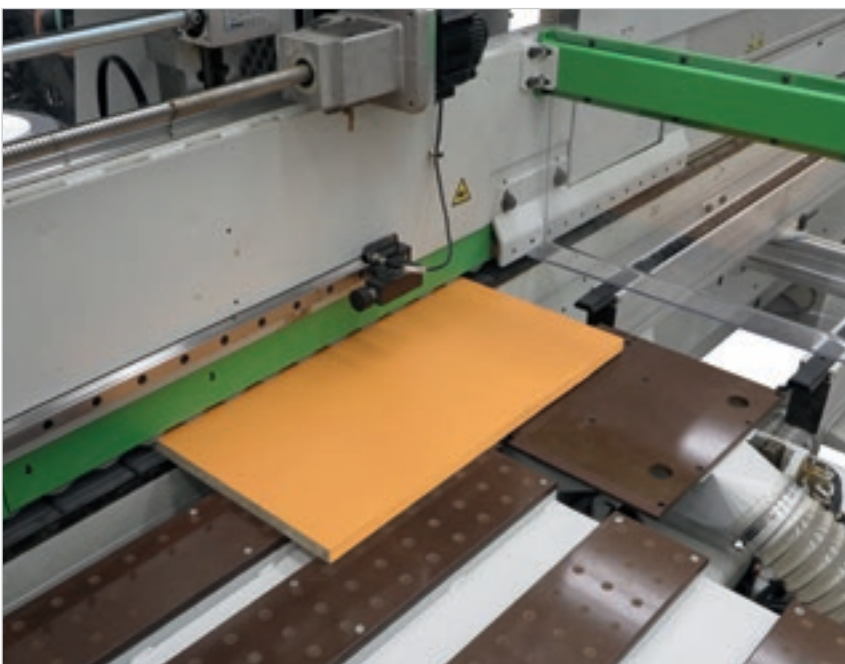


PERFECT SQUARE-EDGING IN 4 STEPS



Step 1

In Step 1 the panel is milled on the two longitudinal sides to guarantee that they are perfectly parallel. The inner side is edgebanded.



Step 2

In Step 2 the panel is edgebanded on the second longitudinal side. The external milling machine is lowered so that the panel can rest on it.



Step 3

In Step 3 the panel is taken along the longitudinal sides between the pad rollers and the counter stops and guided to guarantee perfect 90° squaring on the transversal side. The right guide prevents any undesired movement.



Step 4

In Step 4 the panel is taken along the longitudinal sides between the pad rollers and the counter stops and guided to guarantee perfect 90° squaring on the last transversal side. The right guide positions the panel to obtain the required size.

CAN BE FULLY CUSTOMISED TO MEET REQUIREMENTS



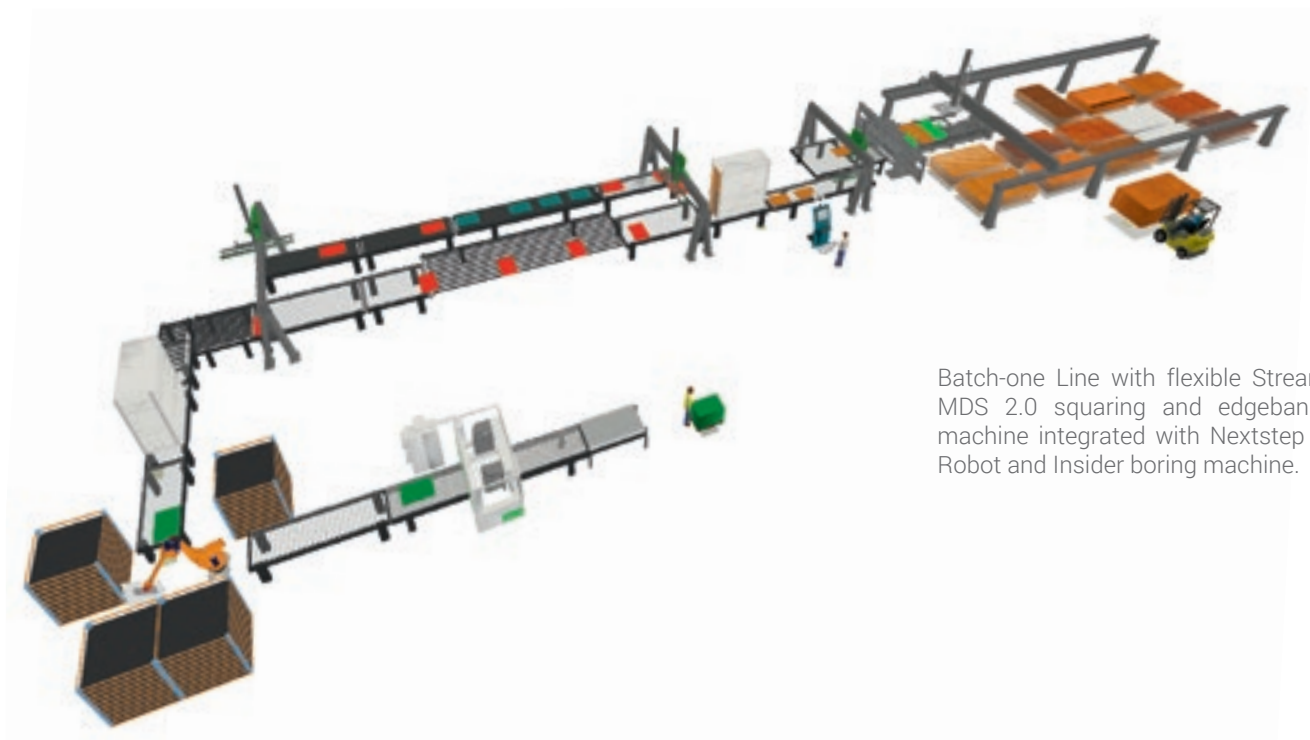
The Stream B MDS 2.0 edgebander with automatic insertion system represents the maximum concept of flexibility and automation. It can be integrated with a semi-automatic or fully automatic loading.



The squaring module consists of an insertion area that ensures the panel enters the machine perfectly.



The multi-zone guide system, high precision brushless motor and multiple pressure system drastically reduce the space between panels and increase productivity.



Batch-one Line with flexible Stream B MDS 2.0 squaring and edgbanding machine integrated with Nextstep cell, Robot and Insider boring machine.

ENDLESS LINE SOLUTIONS

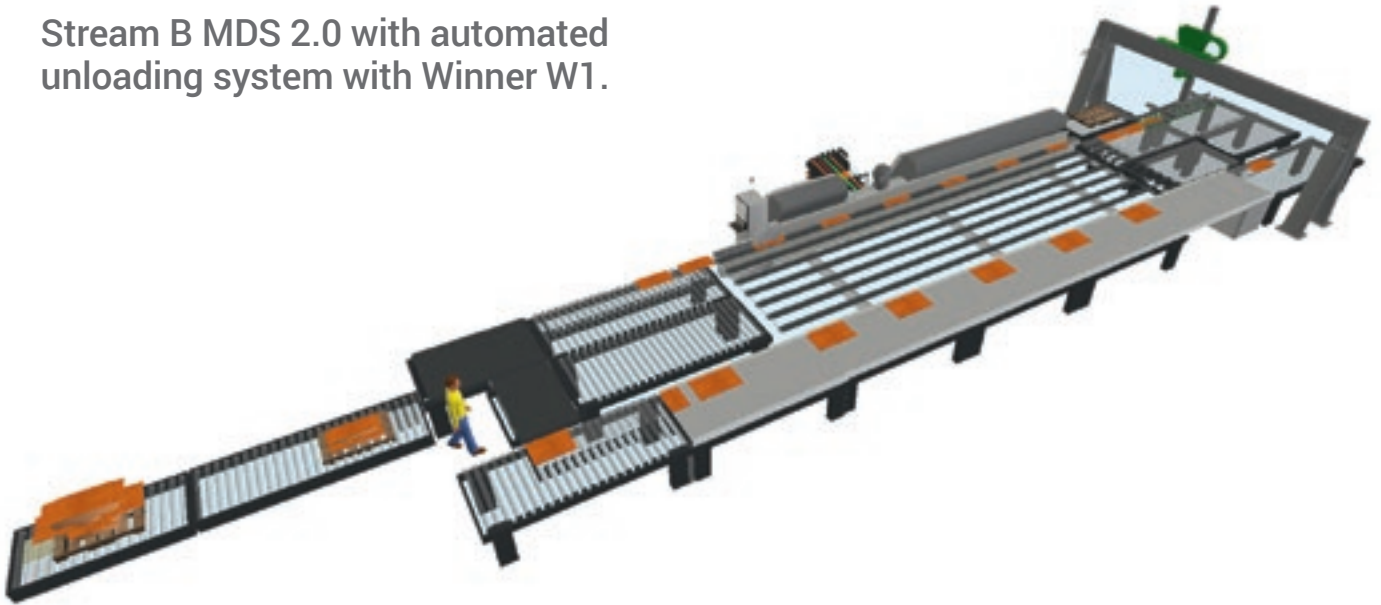
Stream B MDS 2.0 with automated unloading system with Winner W1.



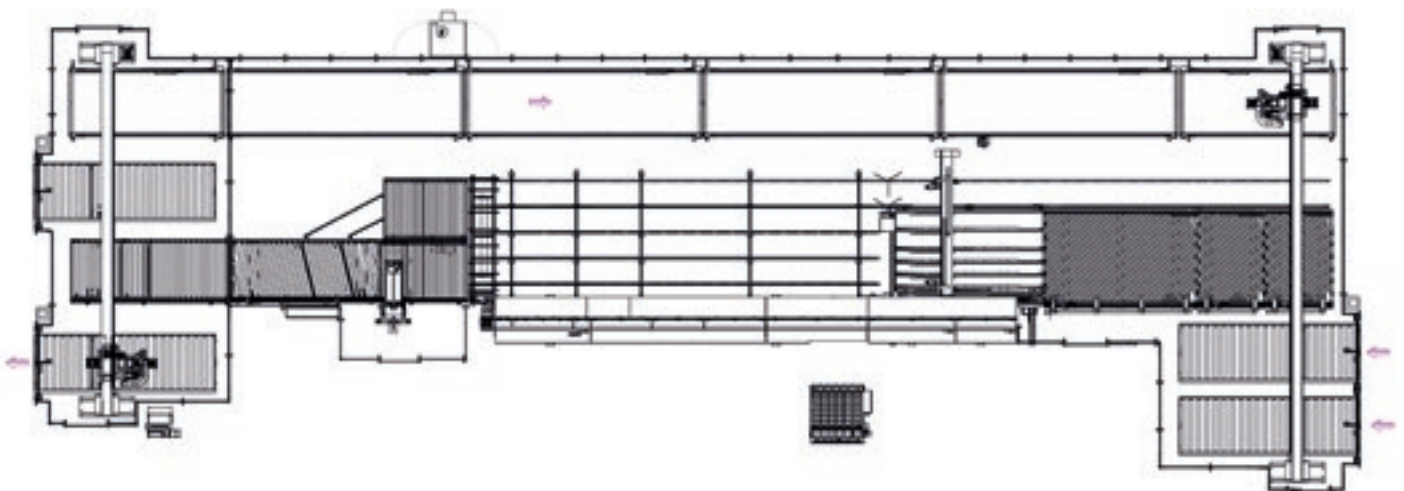
Stream B MDS 2.0 with automated loading and unloading system with Winner W1.



Stream B MDS 2.0 with automated unloading system with Winner W1.



Stream B MDS 2.0 with dual automated loading and unloading system with Winner W1.



SOPHIA

GREATER VALUE FROM MACHINES



SOPHIA IS THE BIESSE IOT PLATFORM WHICH ENABLES CUSTOMERS TO ACCESS AN EXTENSIVE RANGE OF SERVICES TO STREAMLINE AND RATIONALISE THEIR WORK MANAGEMENT PROCESSES.

IT IS BASED ON THE ABILITY TO SEND REAL-TIME INFORMATION AND DATA ON THE TECHNOLOGIES IN USE, OPTIMISING THE PERFORMANCE AND PRODUCTIVITY OF MACHINES AND SYSTEMS. IT CONSISTS OF TWO AREAS: IOT AND PARTS.

- **REDUCED PRODUCTION TIME**
- **LOWER COSTS**
- **REDUCTIONS IN MACHINE DOWNTIME**
- **OPTIMISATION OF THE PRODUCTION PROCESS**
- **INCREASE IN PRODUCTIVITY**
- **MAXIMUM QUALITY OF DAILY WORK**

The various functions of the **iOT** app offer a comprehensive overview of the specific machine performance features, with remote diagnostics, machine stoppage analysis and fault prevention.

PARTS is the new replacement parts web portal which allows users to navigate within a personalised account, providing access to all the information on purchases and enabling a replacement parts shopping cart to be submitted, and the progress of orders to be monitored.

SERV ICE & PARTS

Direct, seamless co-ordination of service requests between Service and Parts. Support for Key Customers by dedicated Biesse personnel, either in-house and/or at the customer's site.

BIESSE SERVICE

- ✔ Machine and system installation and commissioning.
- ✔ Training centre dedicated to Biesse Field engineers, subsidiary and dealer personnel; client training directly at client's site.
- ✔ Overhaul, upgrade, repair and maintenance.
- ✔ Remote troubleshooting and diagnostics.
- ✔ Software upgrade.

500

Biesse Field engineers in Italy and worldwide.

50

Biesse engineers manning a Teleservice Centre.

550

certified Dealer engineers.

120

training courses in a variety of languages every year.

The Biesse Group promotes, nurtures and develops close and constructive relationships with customers in order to better understand their needs and improve its products and after-sales service through two dedicated areas: Biesse Service and Biesse Parts. With its global network and highly specialized team, it offers technical service and machine/component spares anywhere in the world on-site and 24/7 on-line.

BIESSE PARTS

- ✔ Original Biesse spares and spare kits customized for different machine models.
- ✔ Spare part identification support.
- ✔ Offices of DHL, UPS and GLS logistics partners located within the Biesse spare part warehouse, with multiple daily pick-ups.
- ✔ Order fulfillment time optimized thanks to a global distribution network with de-localized, automated warehouses.

92%
of downtime machine orders fulfilled
within 24 hours.

96%
of orders delivered in full on time.

100
spare part staff in Italy and worldwide.

500
orders processed every day.

MADE WITH BIESSE

2XL, PRACTICAL EVOLUTION

Numerous companies have begun their evolution path towards the 4.0 factory by adopting MDS Biesse solutions. One particularly significant example is 2XL. This Brescia-based company started out as a distributor of panels, glues, accessories and other materials for producing furniture items that were supplied as semi-finished. Over time, customers' requests and the constructive approach of 2XL management, aiming to serve the market in the best possible way, ensured that

the company's supplies evolved in the direction of semi-finished items already edgebanded and bored; in other words, components ready to be assembled as part of modern furnishings. Clientèle segmentation and requests for one-to-one solutions, with extremely fast delivery times, guided the set-up of new production departments, in particular for the edgebanding phase. With this in mind, Biesse has designed and built an MDS 2.0 cell interlocked by an automatic system with BAR-CODE identifica-

tion of the piece. In this way, production can include very different mixes and can be completed in a very short time-span, ensuring quick, prompt delivery - a real plus factor that makes 2XL stand out on the market. The evolution of its range has also raised quality standards at the same time. In fact, Stream B MDS guarantees geometries that are highly precise in terms of format and it uses the Air Force System (a technology that joins the edgebanding strips to the panel with an invisible glue line).



LIVE THE EXPERIENCE

BIESSEGROUP.COM



Interconnected technologies and advanced services that maximise efficiency and productivity, generating new skills to serve better our customer.

LIVE THE BIESSE GROUP EXPERIENCE AT OUR CAMPUSES ACROSS THE WORLD.



BIESSEGROUP

