

JET 2000



Start with the best



Universal drilling head



1-spindle fixed angular drilling head



Drilling head for hinges

The new range of JET working centers is the result of Busellato's quality orientated business strategy. The pursuit of a high quality policy is shown by the use of highly technological components and severe inspection procedures. Best use of your production time means relying on strong, fast and precise machines, constructed without compromising on quality. Busellato's machines last a lifetime and stand up to intense use. Thanks to the reliability of its components and state of the art control systems, our machines assure maximum flexibility for all your working needs.



TF 12+6 boring head with 12 vertical spindles, 6 horizontal spindles and integrated saw.



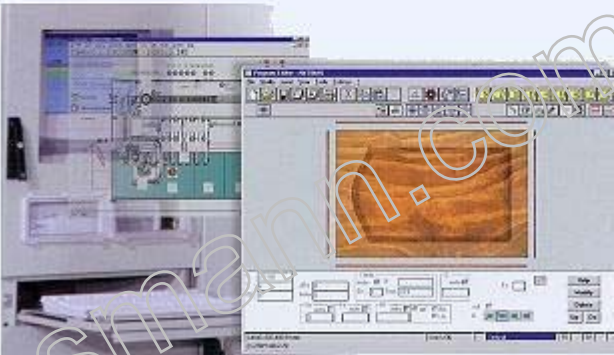
Reinforced electrically-welded steel structure.



Vacuum cup clamping system, differing according to the size of the pieces.



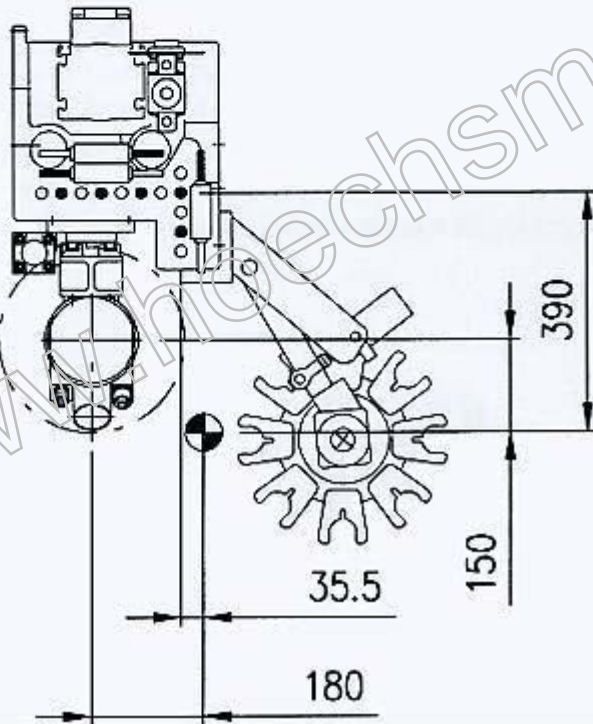
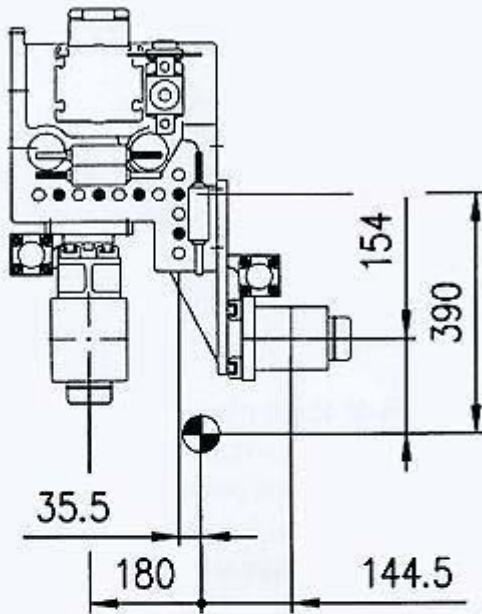
Head mounted rotary tool changer system: 10 positions



HP Personal Computer complete with Windows NT operating system and 'Genesis' graphical CNC software

www.hoedtsman.com

8 POSITIONS ROTARY TOOL CHANGER



Z AXIS STROKE
170

www.techsmann.com

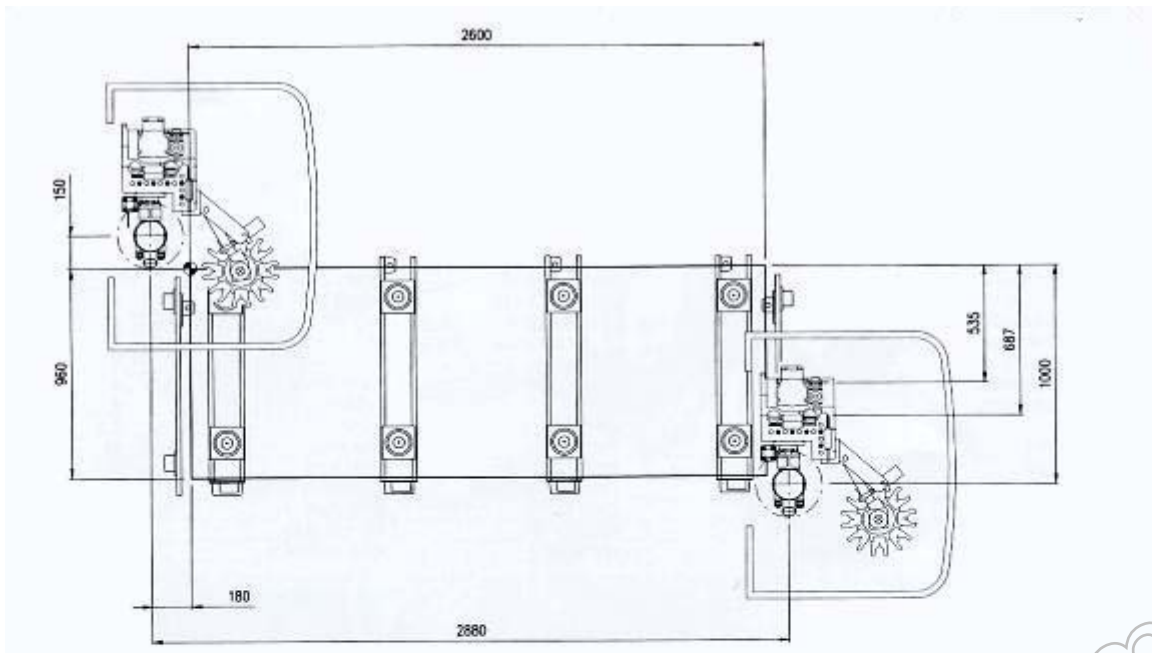
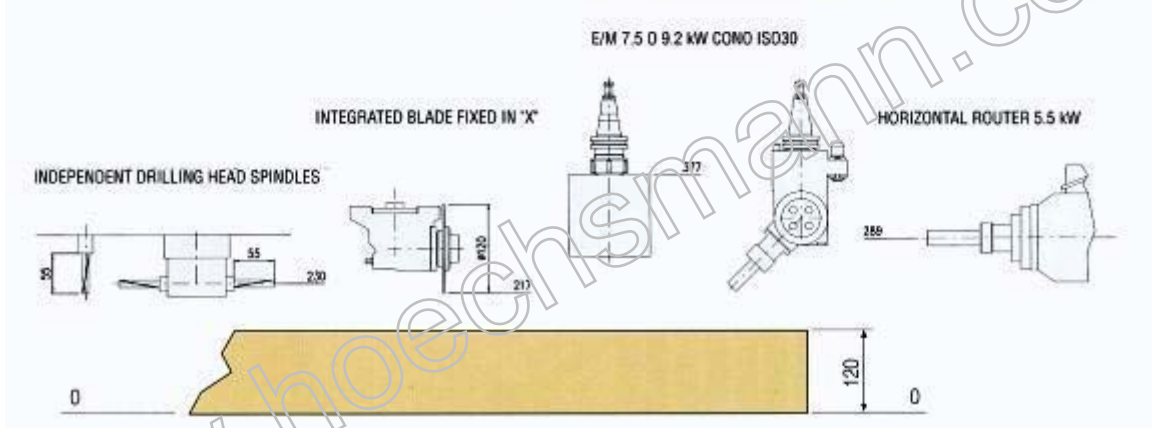


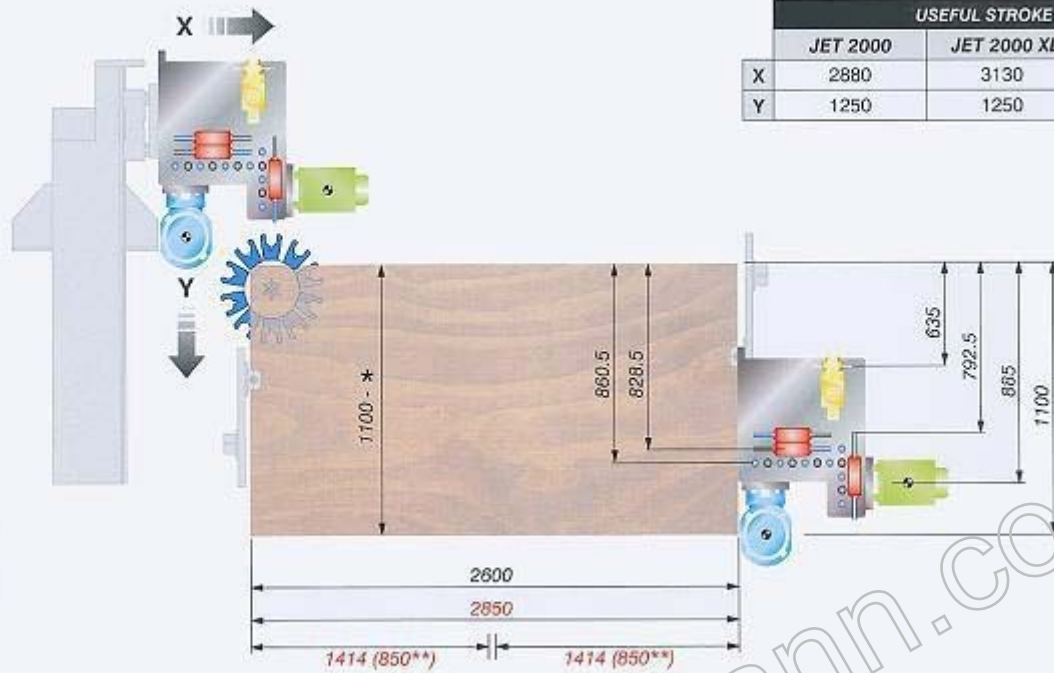
DIAGRAM INDICATING WORKING STROKE



WORKING AREAS

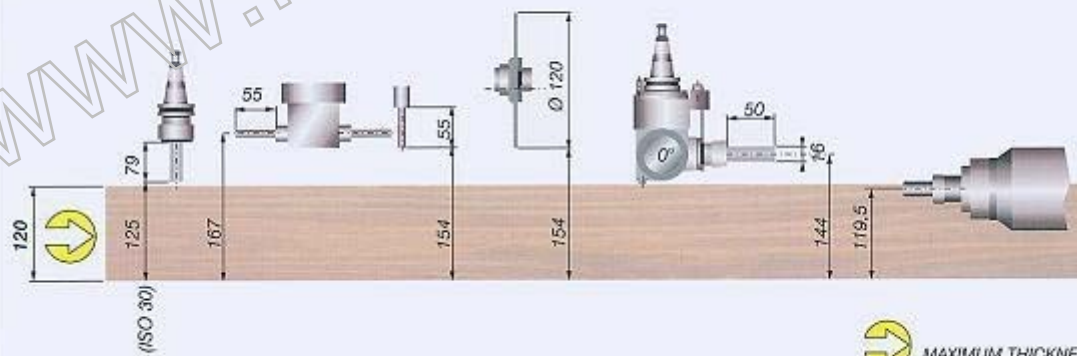
JET 2000 —
 JET 2000 XL —

USEFUL STROKE		
	JET 2000	JET 2000 XL
X	2880	3130
Y	1250	1250

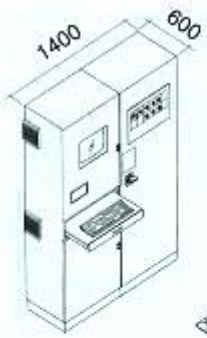


* = Tool radius
 ** = Working field for EC version of machine

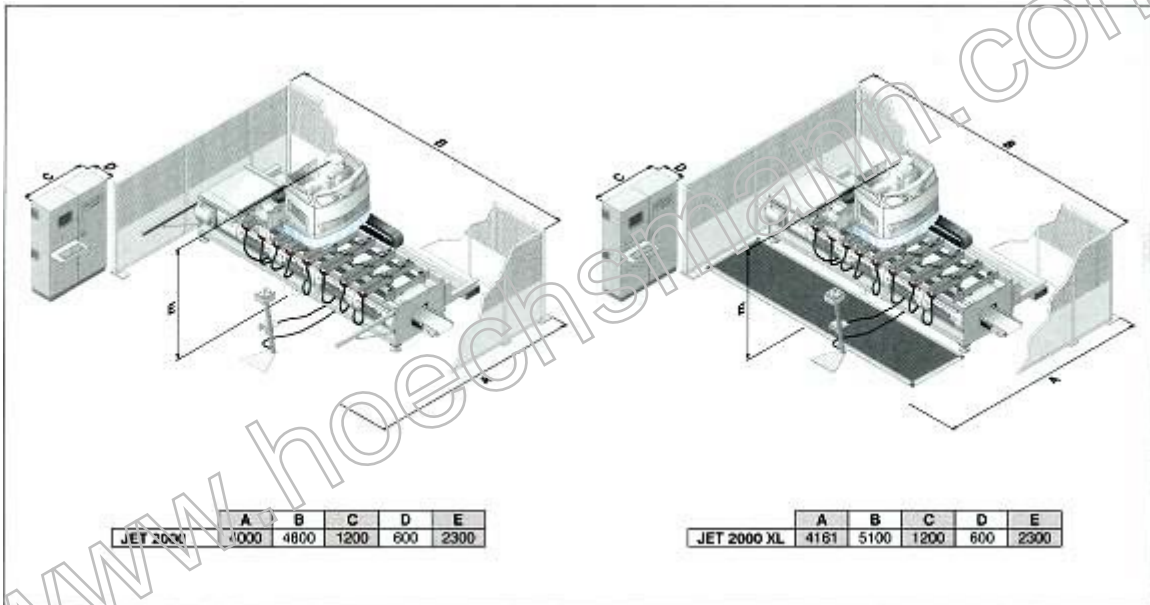
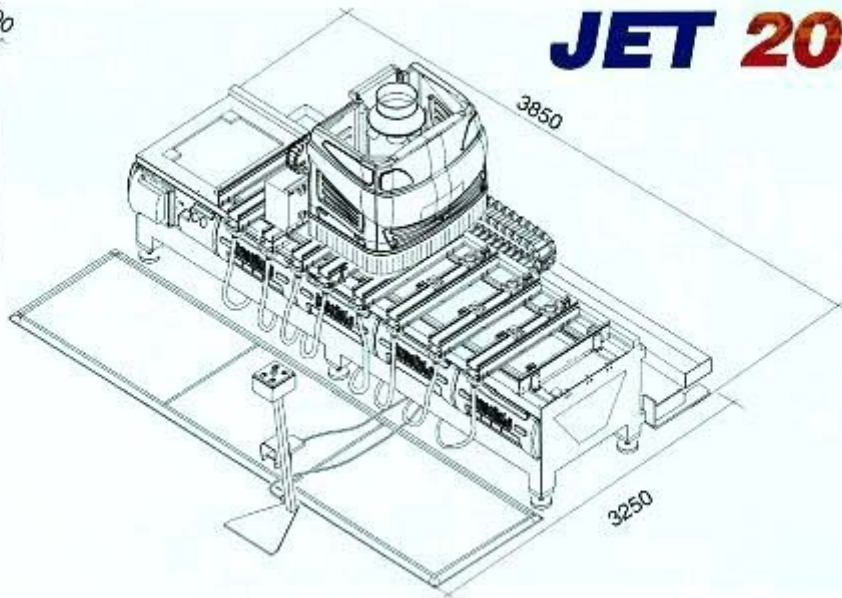
Z AXIS (with pre-selected units)



MAXIMUM THICKNESS



JET 2000



CARATTERISTICHE TECNICHE TECHNICAL FEATURES	JET 2000	JET 2000 XL
USEFUL STROKE		
X Axis	2880 mm	3130 mm
Y Axis	1250 mm	1250 mm
Z Axis	170 mm	170 mm
POSITIONING SPEED		
X Axis	80 m/1'	80 m/1'
Y Axis	70 m/1'	70 m/1'
Z Axis	15 m/1'	15 m/1'
BORING HEAD	TF 12 + 6	TF 12 + 6
X axis vertical spindles	7	7
Y axis vertical spindles	5	5
X axis horizontal spindles	2+2	2+2
Y axis horizontal spindles	1+1	1+1
Integrated saw (ø 120 mm)	1	1
MAX. ELECTROSPINDLE ROUTER POWER	10 HP (7,5 kW)	10 HP (7,5 kW)
PANEL SUPPORTS	To be chosen	To be chosen
CLAMPING SYSTEMS	To be chosen	To be chosen
INVERTER	7.5 kW	7.5 kW
VACUUM PUMP	63 - 100 m ³ /h	63 - 100 m ³ /h
AIR PRESSURE	6 bar	6 bar
COMPRESSED AIR CONSUMPTION	30 l/1'	30 l/1'
AIR CONNECTION COUPLING	ø 17 mm	ø 17 mm
DUST EXTRACTION OUTLET	ø 300 mm	ø 300 mm
MACHINE WEIGHT	3000 kg	3300 kg

www.hoechsmann.com