

Surface laminating



compact to complete ... we offer the entire pallet

Hotmelt laminating

We offer all machine types from compact machines with reactivation equipment / slot nozzle application up to high-performance lines with 60 m/min. for impeccable surfaces and heat resistance up to 115 degree centigrade

Surface and edge - completeline

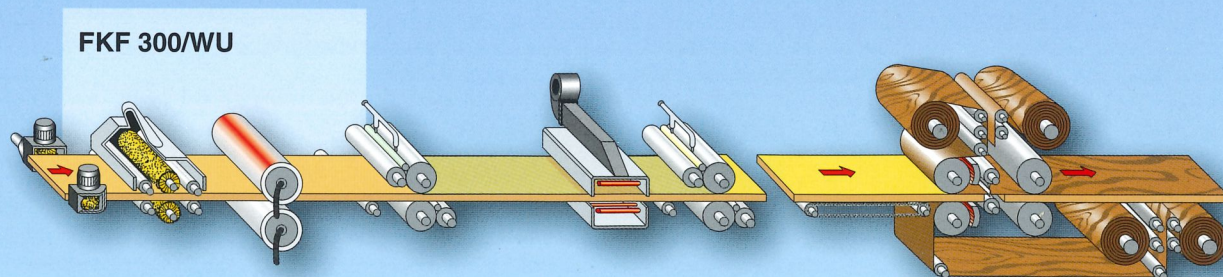
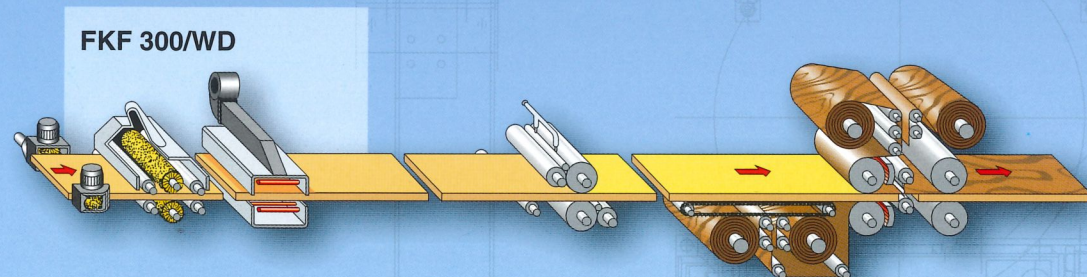
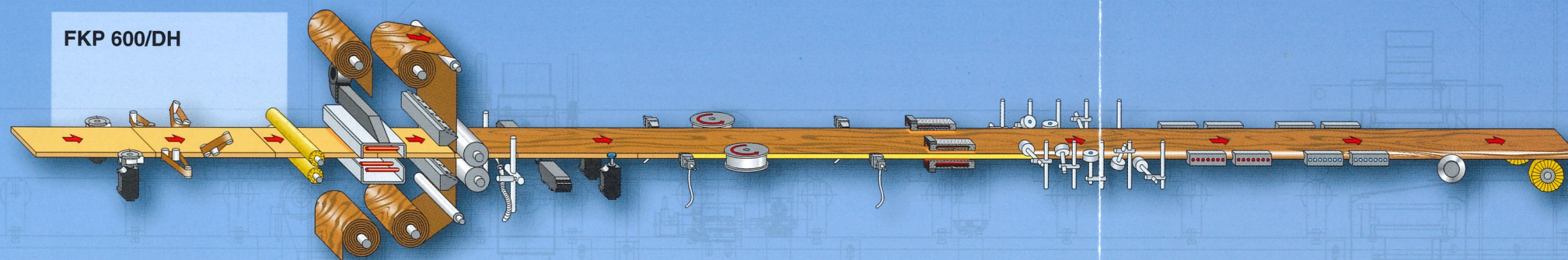
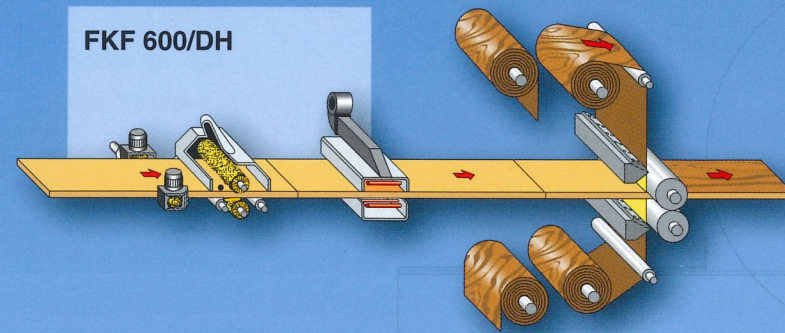
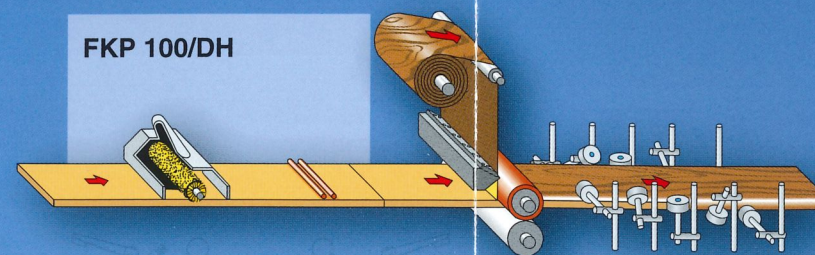
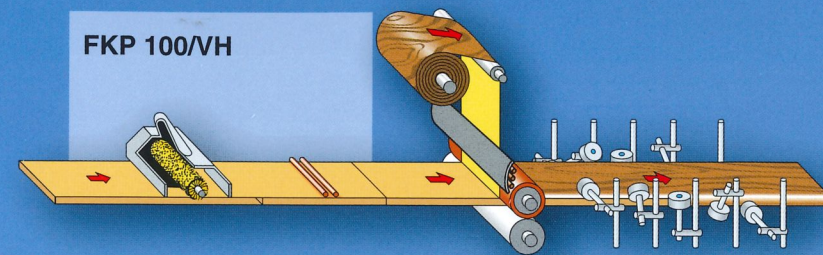
Surface and edges of formatted parts are laminated with hotmelt or dispersion glue in one pass. Using chipboards, the narrow sides of the boards are smoothed at first. Compact high-performance line

Laminating with dispersion glues

Reliable processing technology for up to 40 m/min.

Urea glue laminating

Wet in wet - the classic for high - performance lines up to 40 m/min.



FRIZ machines and procedures are recognized by all well – known manufacturers and their suppliers both in Germany and all over the world. FRIZ is recognized for innovations, flexibility, reliability and high availability.

Our customers are

- furniture industry and suppliers
- interior fittings and suppliers
- plastic profile manufacturers and finishing companies
- suppliers for the automotive industry

Our products are machines and lines for surface laminating in any field of application, from standard machines up to product - specific lines.



Friz Kaschiertechnik GmbH

Im Holderbusch 7
74189 WEINSBERG
GERMANY

Telephone +49 (7134) 5 05-0
Telefax +49 (7134) 5 05-20
E-Mail: info@friz.de
Internet: www.friz.de

A company of the HOMAG-Group – the world`s leading manufacturer of woodworking machines