

# SUPER PROGRAM

—  
Automatic  
throughfeed  
moulders



FUTURA 

Scheduled,  
certain  
and reliable  
paths.

**FUTURA**  
Machines & Control  
for Woodworking

Futura machines are the result of years of experience and research which have led to the creation of optimized tools for any manufacturing. Extremely reliable and very high-quality assembly at a minimum cost.

**Super Program is a high-capacity moulder,** designed for manufacturing large parts of wood and built according to specific processing requirements.

Adaptable to the most various needs, complete with PLC for quick setting. The great strength and solidity of materials allows very precise manufacturing and perfect finishing, also at high speed.

**M**etalstar2000

# SUPER PROGRAM

## Powerful and versatile with the best technology ever

The Super Program four-sided planer moulder machine has been developed to process large woods, the machine is characterised by the efficiency in the processing of beams, large parquet flooring, coffins, large frames and prismatic and semi-finished products for application in construction.

**Product quality that has never been reached before and ease of use, thanks to technological solutions created to simplify daily work.**

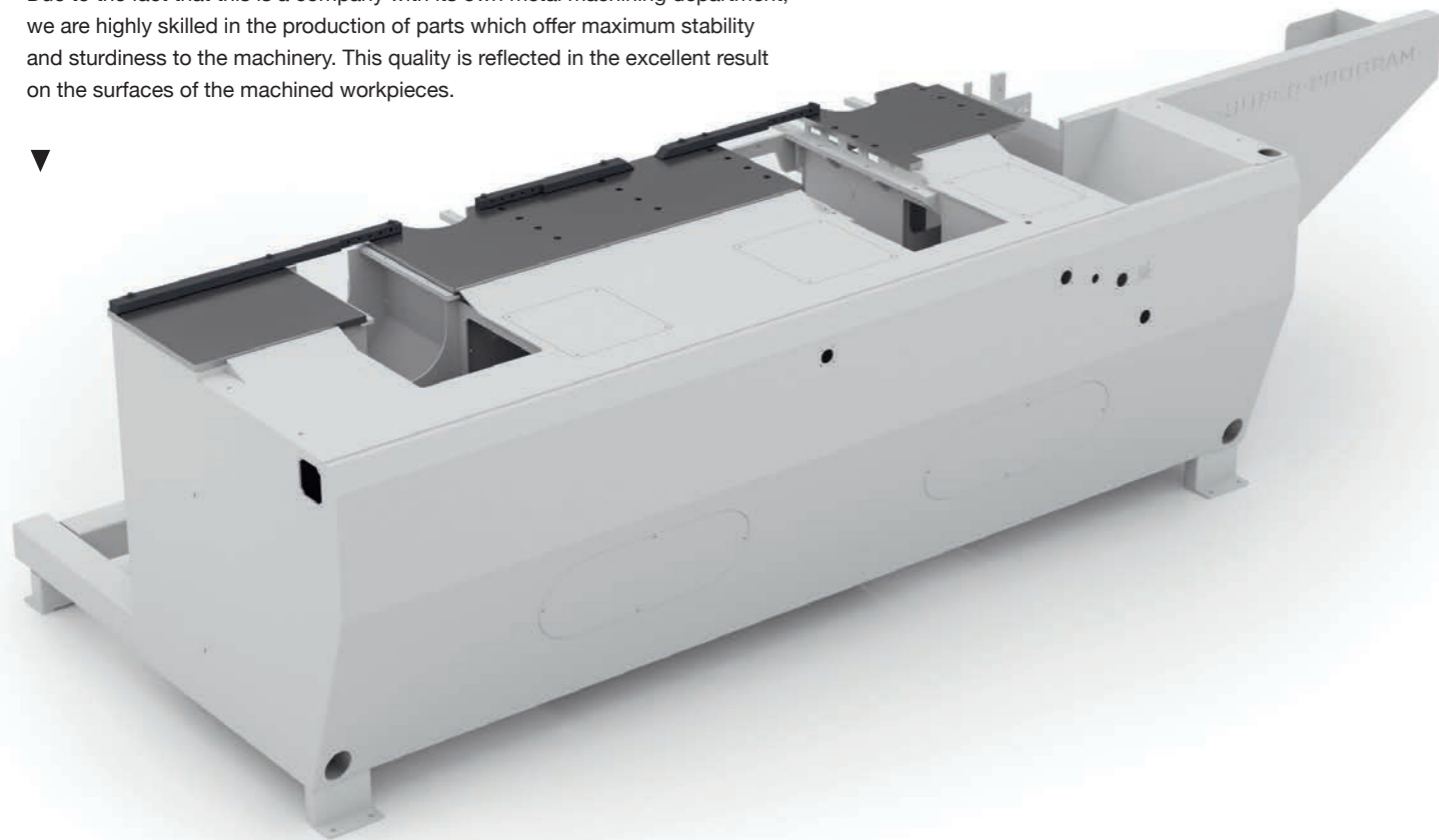


# SUPER PROGRAM

## Solid Structure

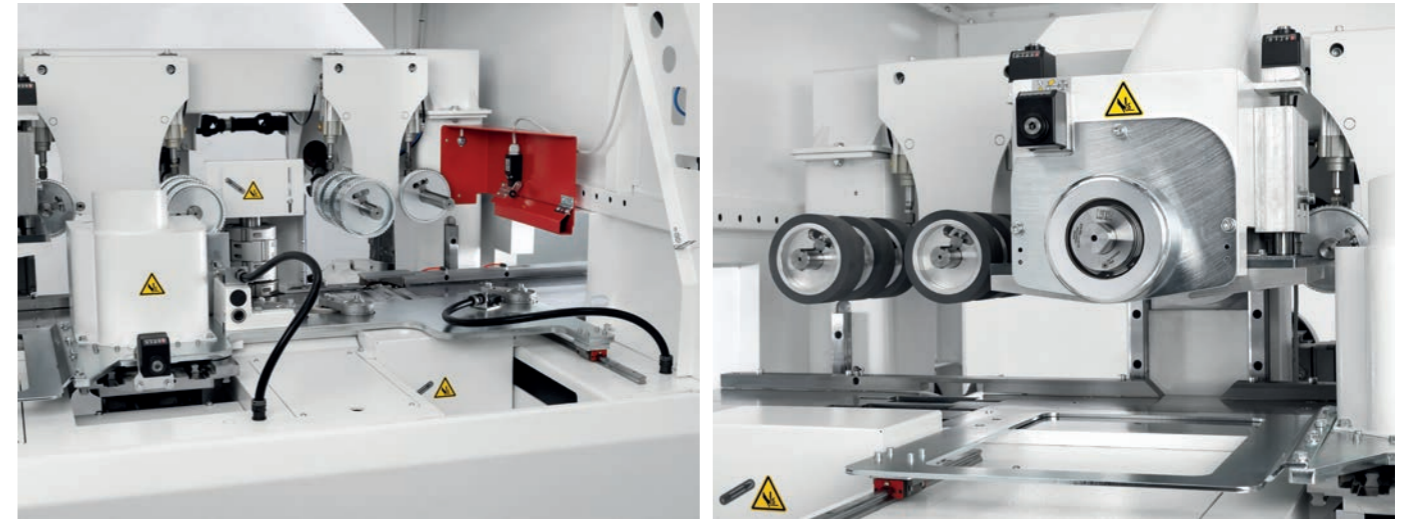
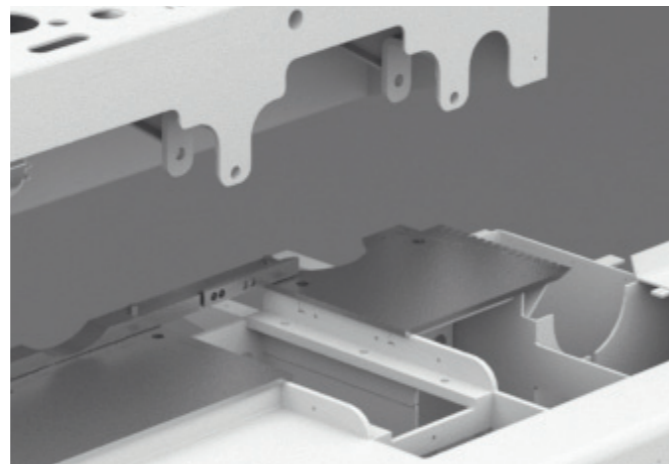
The structure is solid, with high level components, touch control, rigid structure and linear guides that express the engineering excellence inside in the machine.

The base and frame are designed to offer strong rigidity to the moulder. Due to the fact that this is a company with its own metal machining department, we are highly skilled in the production of parts which offer maximum stability and sturdiness to the machinery. This quality is reflected in the excellent result on the surfaces of the machined workpieces.



### WORKTABLE

The worktable durability is guaranteed by the excellent resilience of Hardox. This is not a coating but a product already purchased in its entirety which is then welded and machined directly onto the base. This makes the work surface extremely solid and ensures the pieces can be conveyed easily without friction.



### MOVEMENT ALONG LINEAR GUIDES AND BLOCKS

High quality parts like linear guides and ball runner blocks. A system that has no fear of wood chips and dust and has a very low noise emission.

### QUALITY CONTROL

The mechanical quality control and testing of each manufactured workpiece is an essential part of each order to guarantee top quality and safety standards. In order to avoid problems and complications at the assembly stage, Metalstar has state-of-the-art machinery with sophisticated size control tools to check every tolerance and critical dimension.



# SUPER PROGRAM

## Feed System

Futura, always taking care of the quality, develops technologies that work to ensure the maximum finishing of the final product.

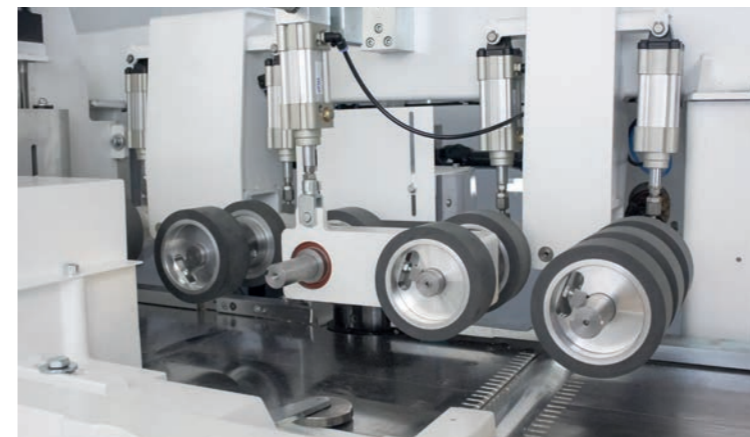


### FEED SYSTEM

The drive speed is displayed.

Wood feeding is guaranteed by the high number of wheels and by the air cushion system.

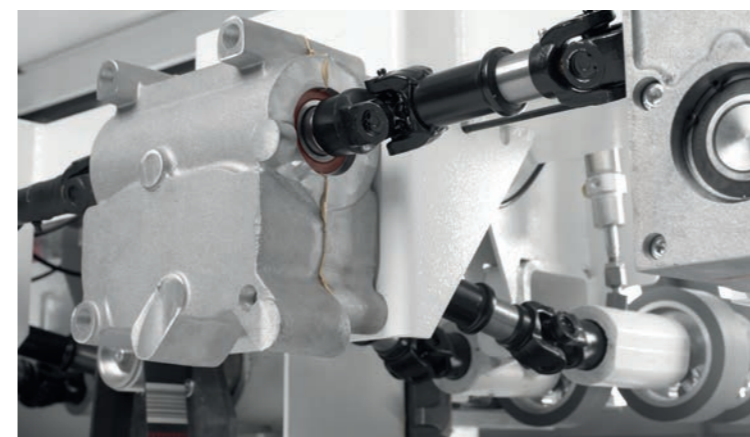
To ensure greater solidity on the upper shaft and a total absence of strain, the Super Program machine has an independent drive unit.



◀ **ADDITIONAL FEEDING WHEELS**  
Tandem unit (optional) and the second feeding wheel in front of the left spindle are devices used to reduce the axial distance between the wheels. This makes it possible to work safely even on short workpieces, as well as helping the wood stay on line. Above all, it is recommended for types of wood more difficult to be machined. Infeed steel wheels can be replaced with rubber-coated wheels.



◀ **AIR BLOWER ON THE WORKING TABLE**  
Infeed wheels and air film to convey the piece. The film cushion consists of 4 rows of holes that can be individually activated by the operator, as required. The system can be integrated (optional) with the air and oil atomisation, making it even easier to convey the wood.



◀ **GEARBOXES WITH CARDAN-SHAFT DRIVE**  
Feeding unit consisting of oil-bath gear boxes with cardan-shaft drive. Highly resistant, long-lasting and maintenance-free solutions.

# SUPER PROGRAM

## Technology at the user's disposal



### ◀ ELECTRONIC CONTROL

Super Program is supplied with a state-of-the-art technology. It comes complete with 7 inches colour Touch screen, and 10 or 15 inches, on request. Easy and fast to program, it saves setup time thus reducing the risk of error. The software controls the main working units and the drive unit which is separate from the upper shaft. It also offers the opportunity to increase the number of controlled axes and customise the operator interface.

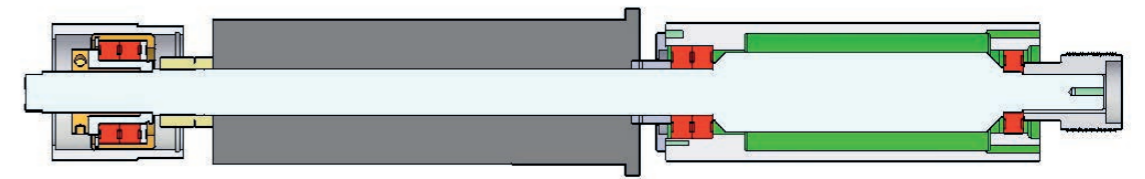


### ▲ MOBILE CONSOLE

The new control panel design makes the machine perfectly ergonomic, making the operator's daily tasks easier.

# SUPER PROGRAM

## High performance and high precision



### ▲ TOOL HOLDER SHAFTS

Perfect finishing thanks to solidity and sturdiness that characterise the tool holder shafts which ensure accurate, reliable machining even at high speed. Fitted with 120 mm spindle holder cylinders and bearings able to guarantee 6000 rpm speed standard and 8000 rpm optional. In addition, a precision centring system is foreseen for quick tool locking.



### ◀ WORKING UNITS

Each working unit is secured at its base and moves as though it were a single body, thus guaranteeing greater stability while machining.

### WORKING CAPACITY

The Super Program can hold tools with a minimum diameter of 110 mm and a maximum diameter of 230 mm. The vertical shafts' axis stroke is of 90 mm to machine a higher number of profiles and allow a rapid work change. The maximum standard work sessions are of 350 mm in width and 180 mm in height. Both the shaft strokes and the working capacity can be increased to meet customer requirements.



# SUPER PROGRAM

A response to every need

Specific solutions for supporting you in every day work.

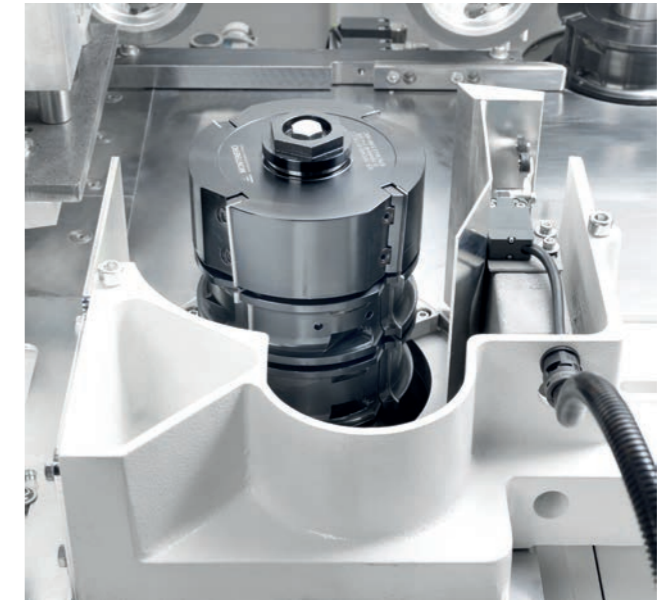
### CUSTOMISED SOFTWARE

Customised software capable of increasing efficiency and output continuity, making the operator's everyday work easier.



### LEFT SPINDLE MOULDER AXIAL STROKE UP TO 120 MM

Increased left spindle moulder axial stroke up to 120 mm to allow for the housing of a significant number of tools and, as a result, their rapid positioning via the suitable control.

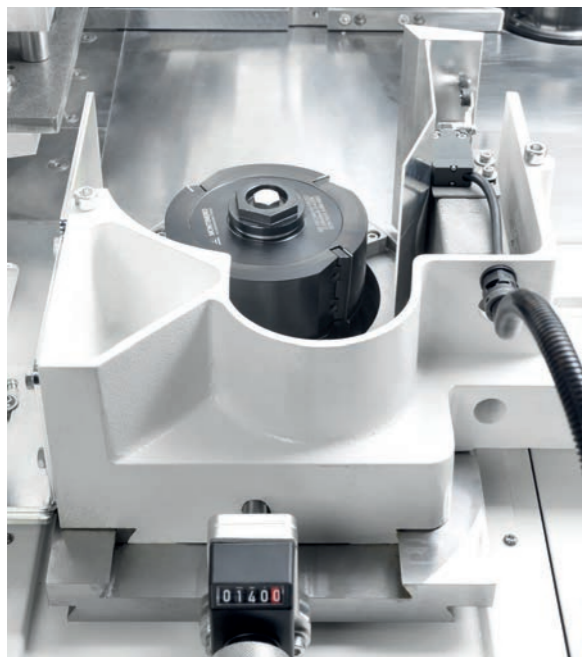


### CONTROLLING THE MILLING CUTTER'S DIAMETER VIA PLC

PLC controlled quick setting change of milling cutter diameter on right and left spindle moulders. This system is suitable for a manufacturing company with a continual change of orders and is ideal even for industrial sectors that customize the production.

### FEEDING UNIT ON INFED WORKTABLE

Designed for big industries, it enables machining on high-output automatic lines. The system places the wood against the inlet guide, thus ensuring consistency in performance quality.



# SUPER PROGRAM

## Loading and unloading system

No idle time with our loading, unloading and work-piece return system.



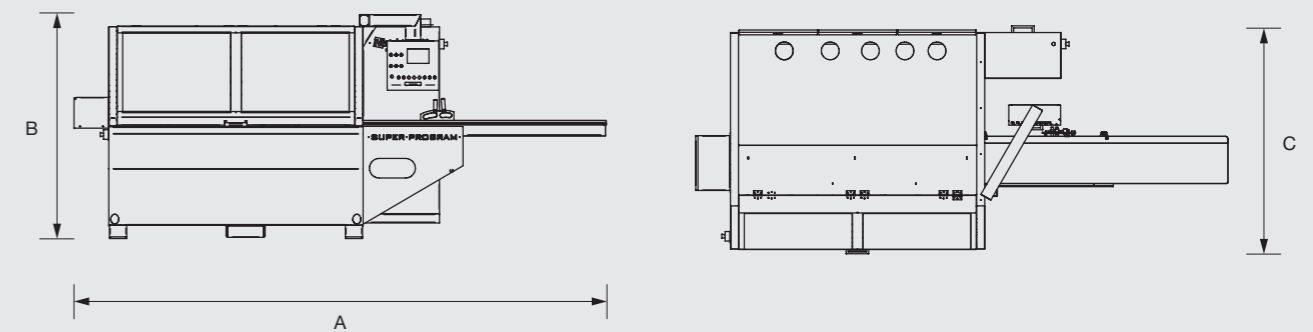
**AUTOMATION SYSTEM WITH PLC MANAGEMENT**  
 Unloading motorized roller conveyor for storage processed work pieces.

## Technical data

Max. working width (with tool dia. 125/140mm)	350 mm
Min. working width (with tool dia. 125/140mm)	25 mm
Max. working height (with tool dia. 125/140mm)	180 mm (200 mm opt)
Min. working height (with tool dia. 125/140mm)	12 mm
Shaft size	40 mm
Spindle speed	6000 g/min (8000 g/min opt)
Axial adjustment of vertical spindles from worktable	90 mm
1° spindle tool diameter	125-140 mm
Min./Max. profiling tool diameter	110-230 mm
Min./Max. universal spindle tool diameter	110-200 mm

### LAYOUT

Overall dimensions of some compositions available



Machine composition	A Width (mm)	B Height (mm)	C Depth (mm)
	4410	1840	2000
	4630	1840	2000
	5060	1840	2000



## **M**etalstar2000



**Metalstar 2000 S.r.l.**

Via San Salvatore, 21  
47924 Rimini (RN) - Italy  
Tel. +39 0541 633022 - Fax +39 0541 731202  
E-mail: [commerciale@futura-woodmac.com](mailto:commerciale@futura-woodmac.com)  
[www.futura-woodmac.com](http://www.futura-woodmac.com)

For demonstration purposes, some photos illustrate machines complete with accessories.  
Metalstar 2000 reserves the right to change any specifications without giving prior notice.