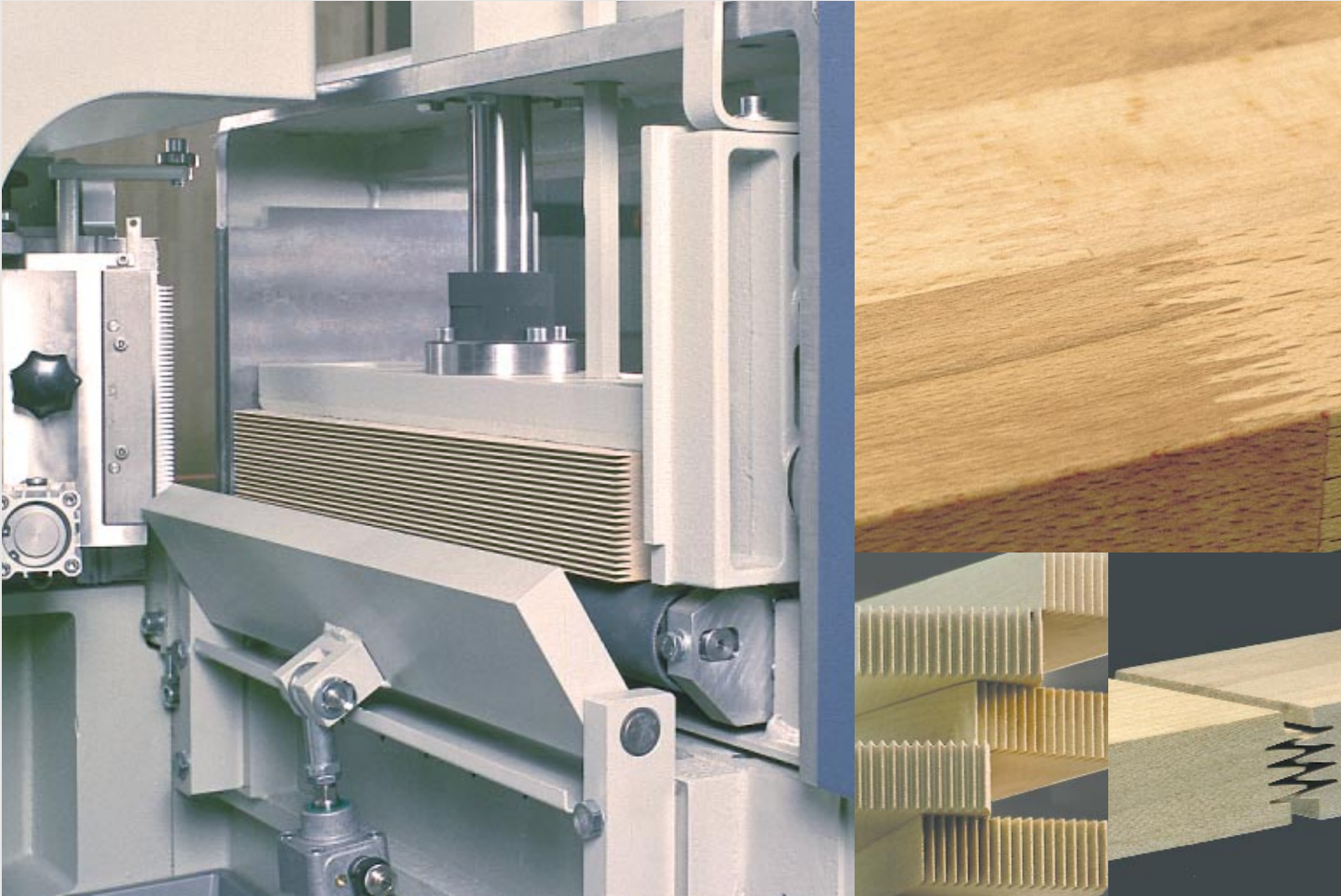


Finger Jointing Line ProfiJoint

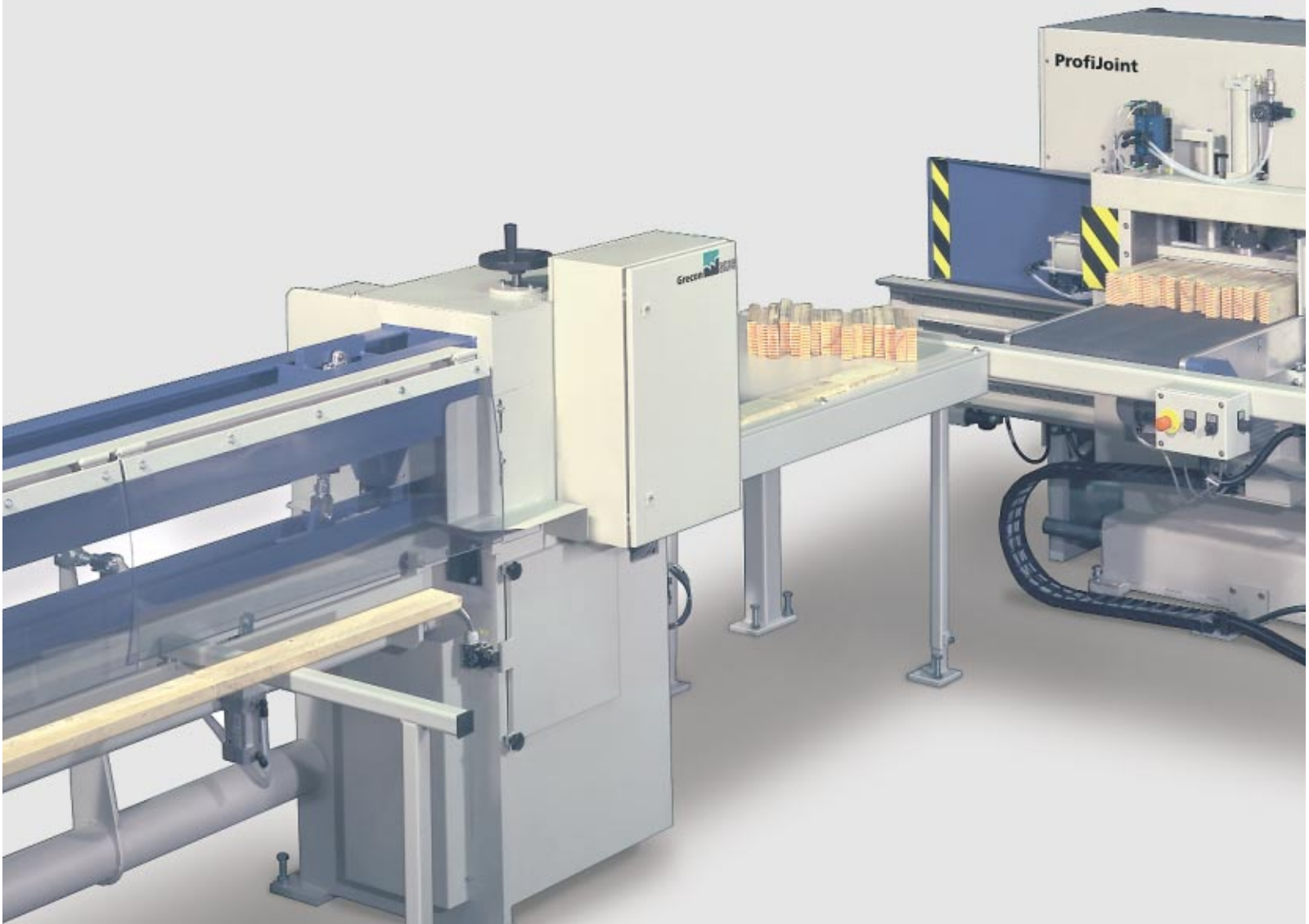
The modular concept

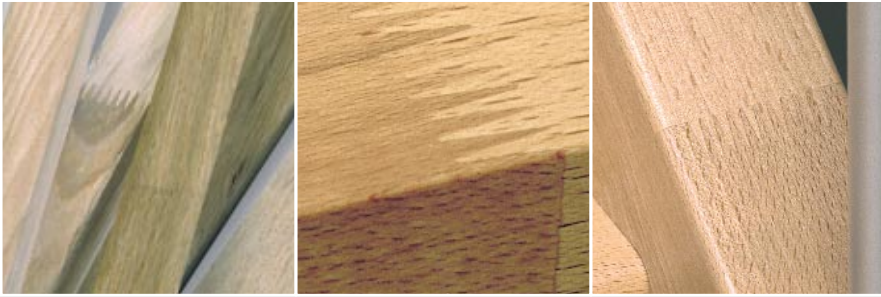


GRECON finger jointing line ProfiJoint – High performance at low price

GRECON is the leading manufacturer of innovative finger jointing lines. With the new ProfiJoint the economic use of residual timber is now possible also for smaller and medium-sized companies as well as all solid wood manufacturers.

Benefit from the advantages and make your decision in favour of the ProfiJoint – a clever investment which pays off quickly.





The newly developed starter model ProfiJoint can be extended up to the shaper combination by the modular system. Timber widths up to 150 mm, timber thicknesses up to 50 mm and min. infeed lengths of 150 mm can be processed without any problems. A casting reduces vibrations in the area in which a precise jointing is of importance. No matter whether joints shall be produced vertically or horizontally with scoring units; the product family of the ProfiJoint model is provided with the same tool technology as the high performance categories from GRECON.



The ProfiJoint –

- Machine with completely new design.
- Package solution consisting of shaper, transfer station and press.
- Including scoring unit; axial adjustment in the range of 1/100 mm (hogger as option).
- High-performance cutter with a cutting table of a width of 500 mm on which the timber can be located in packages for horizontal or vertical processing.
- Cut profile length: 4 – 15 mm
- Proven, maintenance-free Weinig cutter spindle; axial adjustment in the range of 1/100 mm.
- Automatic spindle stroke for a mismatch-free finished product.
- Automatic application of the glue, exact dosage and an easy cleaning by the Flankenjet system.
- Cut and glued timbers are transported separately to the press and pressed in the required lengths.
- Easy to install, quickly serviceable.
- Simple operation and standard technique easy to maintain.

GRECON finger jointing line ProfiJoint – Large performance potential for starters

ProfiJoint consisting of:

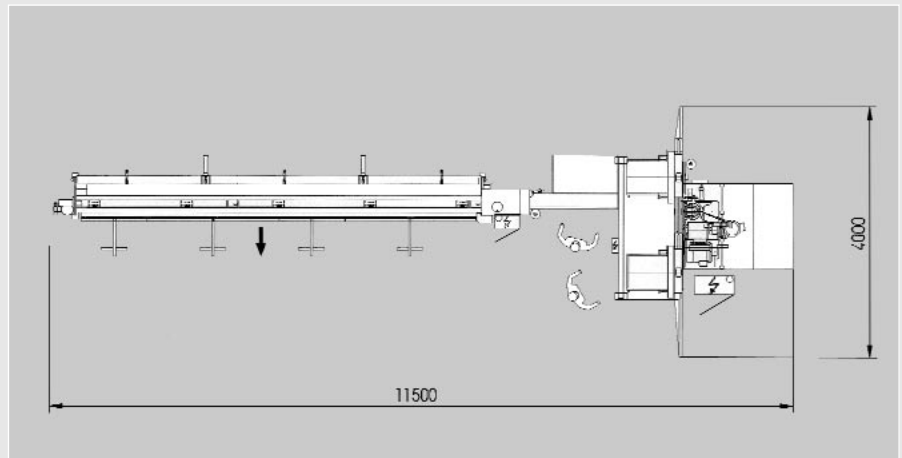
**Finger jointing shaper ProfiJoint,
manual transfer
station and one-channel-press**

Outputs:

Shaper: 2 packages / min

Transfer station: manual,
30 – 40 pcs. / min

Press: 2 cycles / min



ProfiJoint with package 4
consisting of:

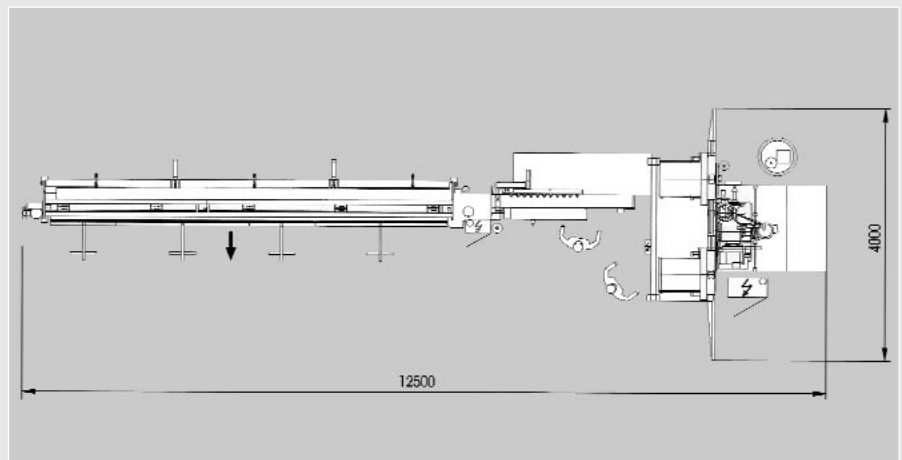
**Finger jointing shaper ProfiJoint,
semi-automatic
transfer station and one-channel-
press**

Outputs:

Shaper: 2 packages / min

Transfer station: 35 pcs. / min

Press: 2 cycles / min



ProfiJoint with package 3
consisting of:

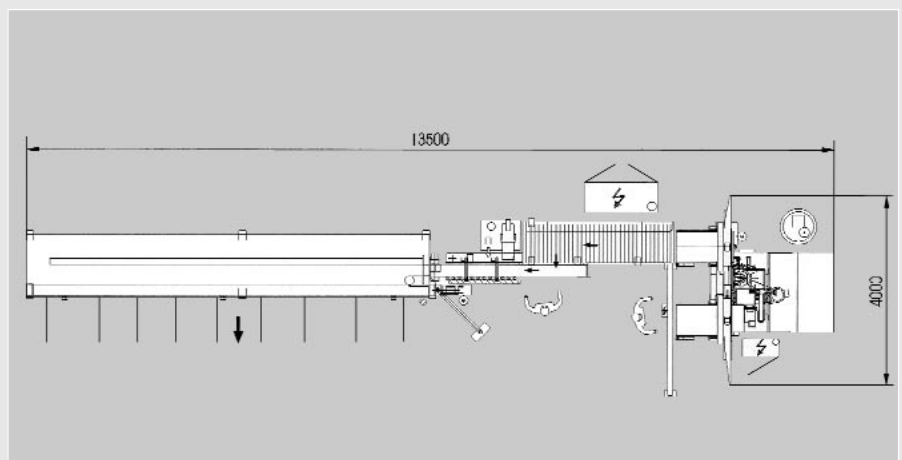
**ProfiJoint with finger jointing
shaper, semi-automatic
transfer station and two-channel-
press**

Outputs:

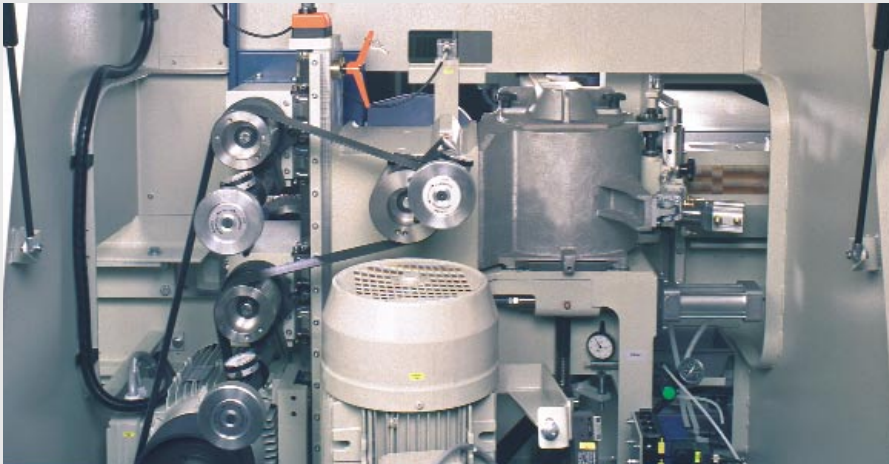
Shaper: 2 packages / min

Transfer station: 40 pcs. / min

Press: 4 cycles / min



Optimised processing aggregates for exact finger jointing



An excellent tool standard

with slitting saws from the top and the bottom, huggers and finger cutters forms the basis for the production of exact finger joint profiles. The slitting saws are synchronised and thus avoid tear-outs. The indirect drive ensures high performance reserves and a vibration-free processing of short pieces. Only by this method an absolutely tight junction of wood can be generated.



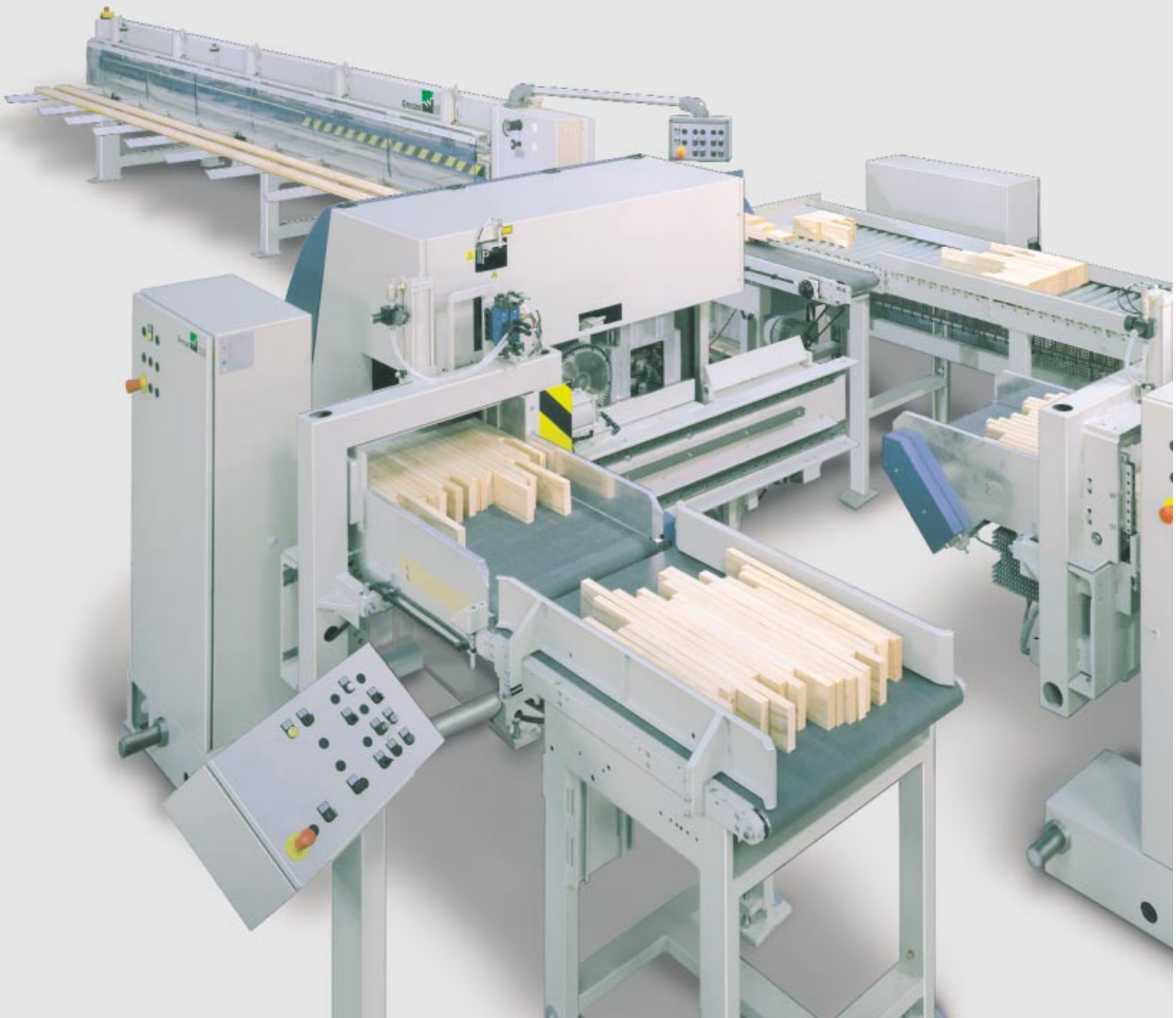
GRECON automation modules

offer an enormous performance potential:

- Full-automatic feeding to use the full capacity of the line
- Semi-automatic and full-automatic transfer from the shaper to the press
- One- and two-channel-presses

GRECON finger jointing line ProfiJoint combination – The highest extension level

By a combination of 2 cutters, performance is doubled.
The cutting process is carried out completely automatically on both sides. The 2-spindle system facilitates the production of special profiles. The ProfiJoint single cutter can be upgraded anytime to a ProfiJoint combination and is thus customised to your performance requirements.





This line ensures a uniform, precise cutting pattern all over the entire package width by frequency-controlled cutting table motors with high infeed power.



The ProfiJoint combination:

- Adjustment stop shapers.
- Package monitoring by means of laser sensor technology.
- Automatic transfer station with length measurement and automatic press.
- Pre-selectable intermediate cuts at the final product.
- Quick height adjustment of the tensioning stroke at the cutting table.
- Splinter protection.
- Suction connections provided in the centre of the bottom.
- Incl. protection equipment in the cutting area.

GRECON finger jointing line ProfiJoint combination – Convincing technique

Only the intertwining of all automation modules by control technique on highest levels makes permanent and continuous outputs without interruptions possible.

GRECON experts develop solutions for your specific requirements from proven, reliable elements.

ProfiJoint combination

consisting of:

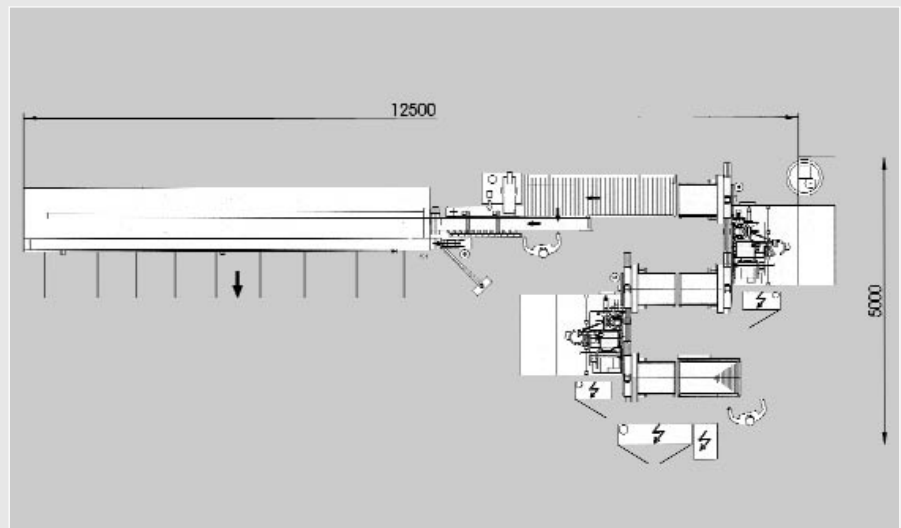
**ProfiJoint cutting combination,
semi-automatic transfer station and
two-channel-press**

Outputs:

Shaper: 4 packages / min

Transfer station: 60 pcs. / min

Press: 4 cycles / min



ProfiJoint combination with package 5

consisting of:

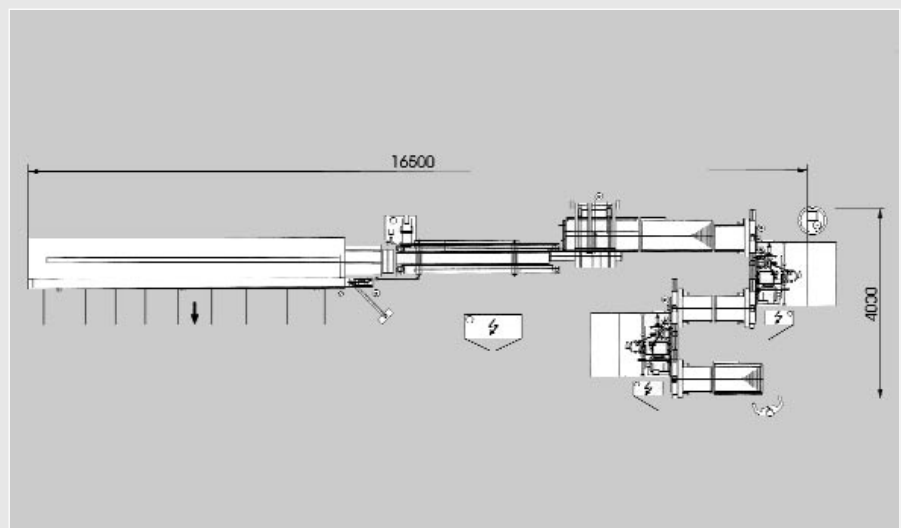
**ProfiJoint cutting combination,
full-automatic transfer station and
two-channel-press**

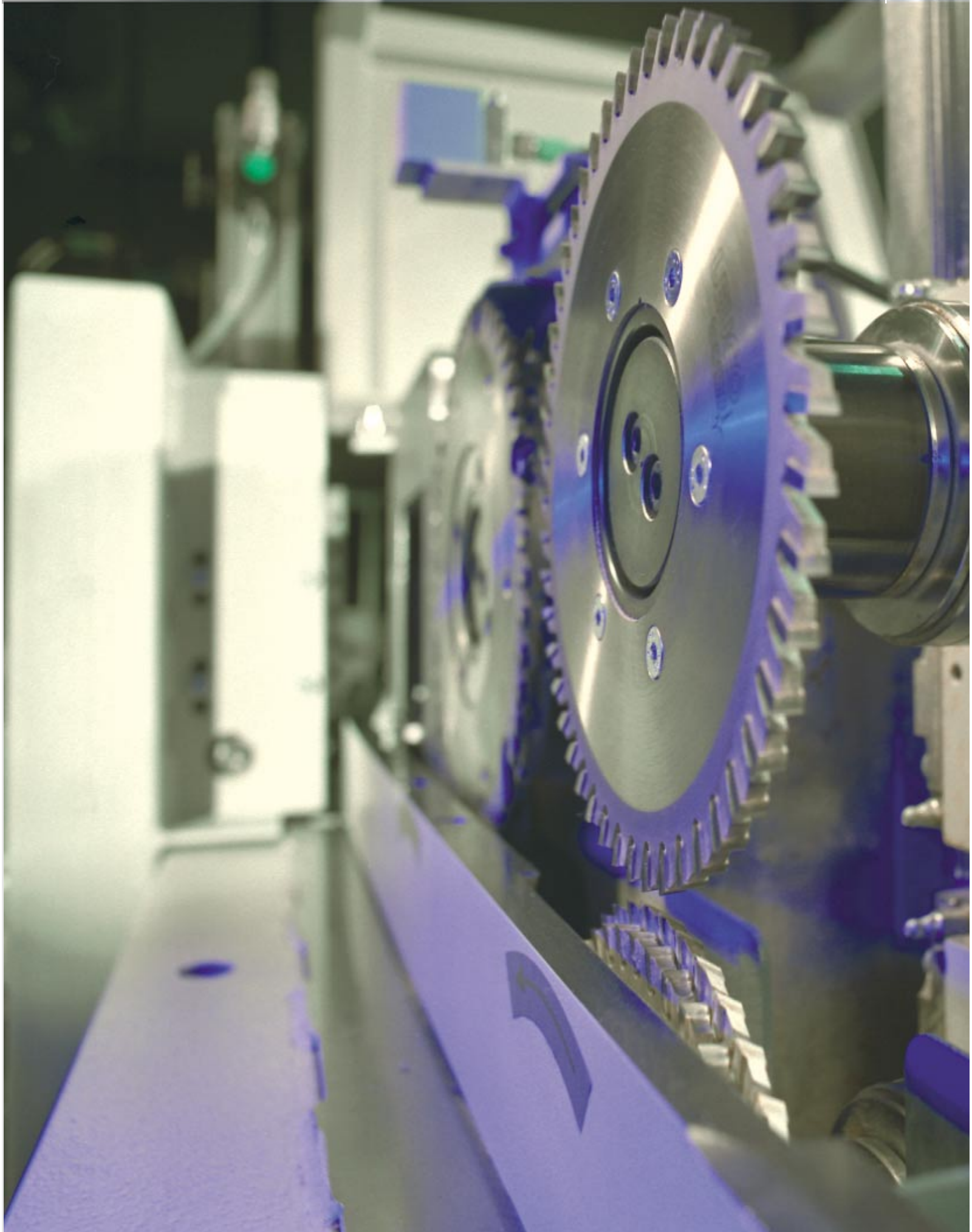
Outputs:

Shaper: 4 packages / min

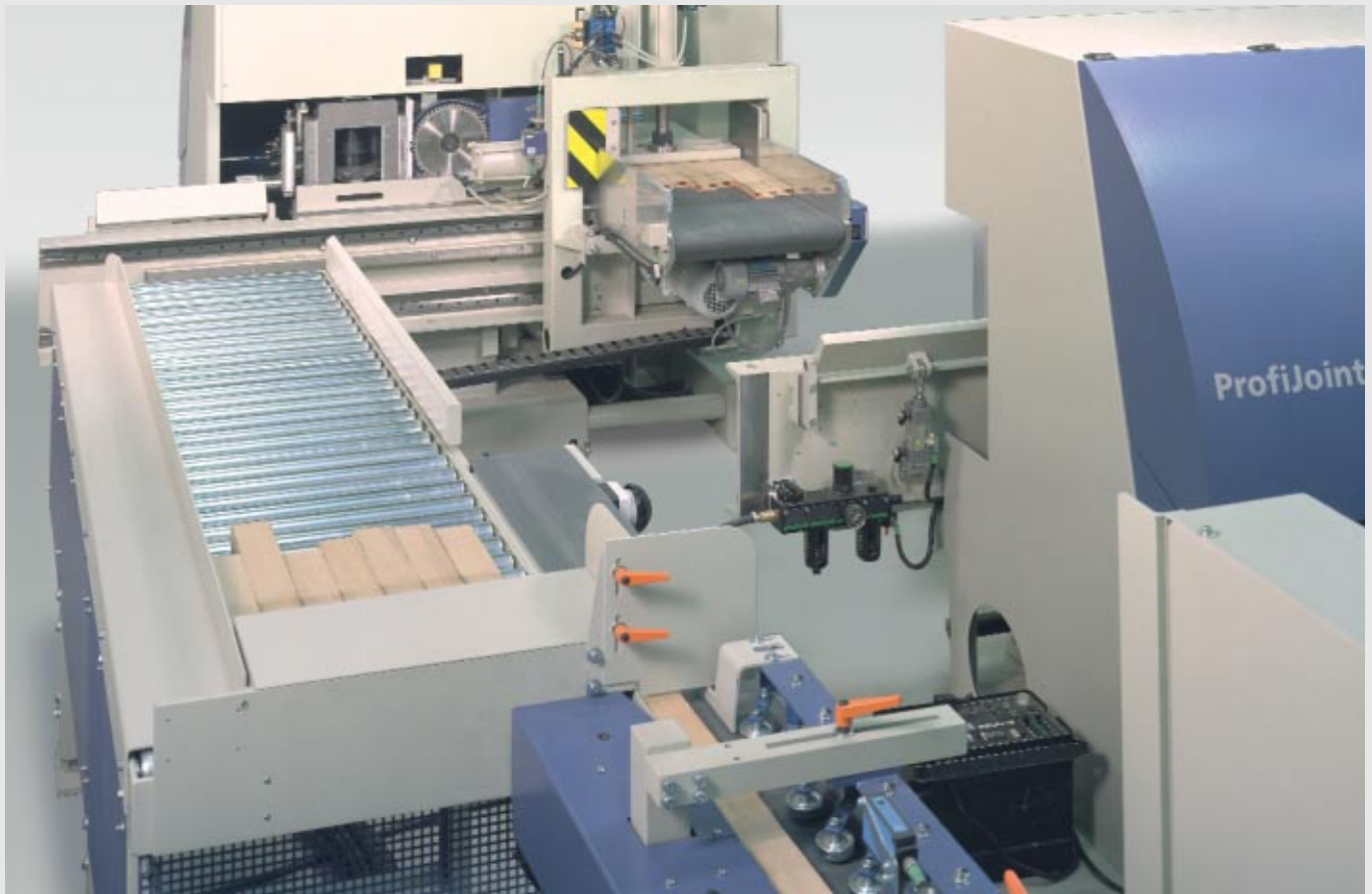
Transfer station: 100 pcs. / min

Press: 6 cycles / min





GRECON finger jointing line ProfiJoint – Modular design: from manual to full-automatic systems



By the modular design of a finger jointing line you have the possibility to determine the degree of automation yourself. No matter whether you wish to operate a manual, a semi-automatic (including separating magazine) or a full-automatic line: Depending on the requirements GRECON recommends the right degree of automation.



Synoptic table for finger jointing lines – Standards and options

The matrix shows the significant features of difference between the single models. Your GRECON expert provides you any information taking into consideration your individual needs, as for example for Ultra, Combi Pact, Turbo, HS 120/180.

	ProfiJoint	ProfiJoint Combination
Infeed length	150 – 700 mm	150 – 900 mm
Timber width	40 – 150 mm	40 – 150 mm
Timber thickness	18 – 50 (80) mm	18 – 80 mm
Outfeed length	3.000 – 6.100 mm	3.000 – 6.100 mm
Thrust force	105 (120) kN	120 kN
Timber cross section at a finger length of 10/11 mm (softwood)	75 cm ² (120 cm ²)	120 cm ²
Timber cross section at a finger length of 10/11 mm(hardwood)	75 cm ² (90 cm ²)	90 cm ²
Capacity (vertical jointing) with 30x90x400	12,2 – 12,8 m/min	24,4 m/min
Capacity (horizontal jointing) with 22x50x350	5,04 m/min	10,08 m/min
Feeding system	Feeding conveyor	Feeding conveyor
Shaper types	Package single shaper	Package shaper combination
Transfer	manual/semi-automatic	semi-automatic/automatic
Press	One-channel-press / two-c p	Two-channel-press
Production statistics	–	○
Diagnosis system	–	○
Multiple lengths	–	○
Intermediate cuts	0 (5)	5 (∞)
Timber tear-out prevention (scoring unit at the bottom)	○	○
Timber thickness min. 16 mm	–	–
Timber thickness max. 72 mm	–	–
Timber thickness max. 100 mm	–	–
Timber width min. 30 mm	○	○
Vibratory stop	○	○
Timber inspection	○	○
Quality inspection	–	–
Splinter protection	●	●
Glue application system FlankenJet	●	●
Communication (teleservice)	–	○
Capacity reserve cutter spindle drive	○	○
Frequency controlled advance	●	●
Servo-controlled advance	–	–
Power shaper	15 (22) kW	15 (22) kW
Power hogger (+ scoring unit)	5,5 (11,5) kW	5,5 (11,5) kW

Finger Jointing Line ProfiJoint



Production:

GRECON DIMTER Holzoptimierung
Nord GmbH & Co. KG
Hannoversche Straße 58
D-31061 Alfeld / Hannover
Germany

Telephon +49 (0) 51 81 / 9 39-0
Fax +49 (0) 51 81 / 9 39-2 25
E-Mail info@grecon-weinig.de
Internet www.weinig.com

Sales:

WEINIG GROUP
Weinigstraße 2/4
D-97941 Tauberbischofsheim
Germany

Telephon +49 (0) 93 41 / 86-0
Fax +49 (0) 93 41 / 70 80
E-Mail info@weinig.de
Internet www.weinig.com