

PNEUMATIC

Clamp Carrier

**MASS PRODUCTION FOR
COLD EDGE GLUING
AND LAMINATING WOOD**



This pneumatic semi-auto. Clamp Carrier is ideal for the manufacturing of solid wood chair seat, table top, door panel, turnings, floor and furniture board.....etc. Very solid construction and easy operation machinery, it is a complete line of automated room temperature laminated and dried naturally to achieve maximum-strength bond.

CC-20-8

HOLYTEK

CATERPILLAR TYPE CLAMP CARRIER

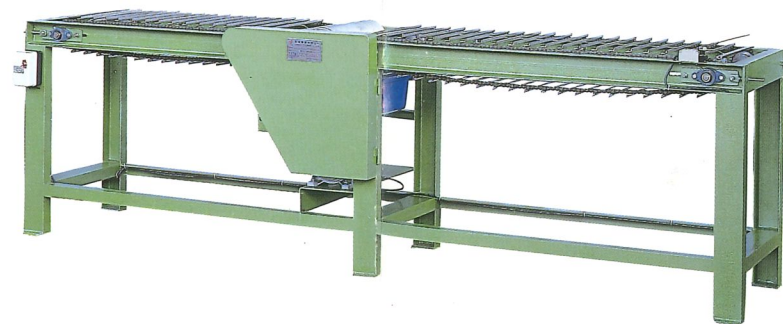
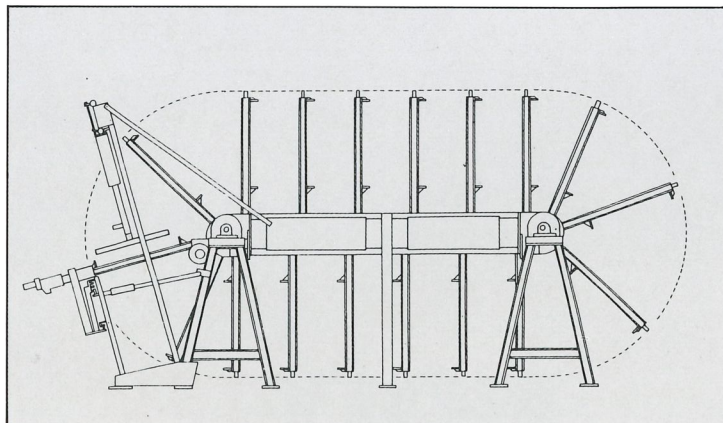
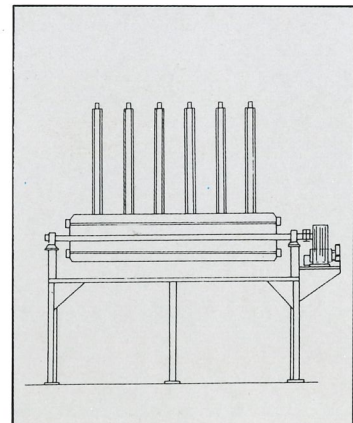


CC-20-8

DESIGN FEATURES:

- *The most versatile and reliable edge gluing machine for woodworking industry.
- *Caterpillar chain drives the moving of the clamp sections rotary. (above of 16 sections type only), a select switch control for moving is on auto. and manual model.
- *The clamp tightener with pneumatic wrench is for rapid tightening and loosening of clamp. The panel flattener is a pneumatic hold-down stock while clamps are tightened.

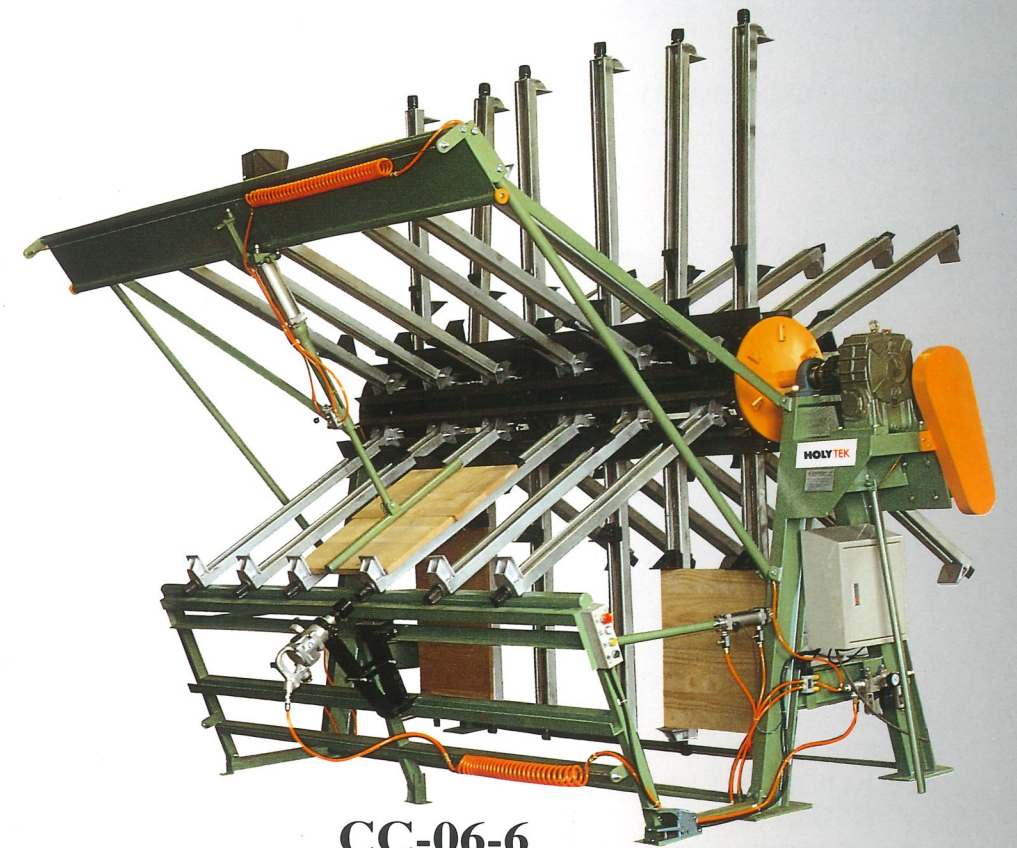
ILLUSTRATION FOR CLAMP CARRIER



**Glue Spreader
(Auto. chain conveyor type): AN-030**
Motor: 1/2HP, total length: 3M, working width: 420mm

Glue Spreader (Manual type): AN-010
Motor: 1/8HP, working width: 250MM

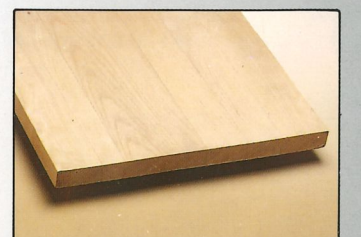
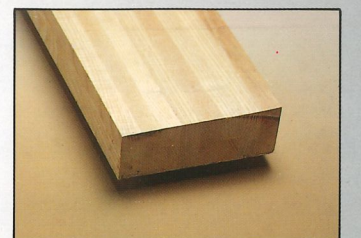
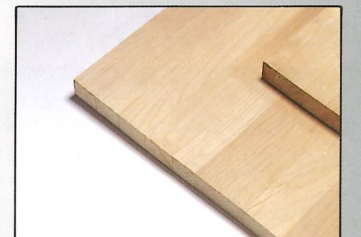
THE SIMPLEST AND MOST ECONOMICAL 6 SECTION ROTARY CLAMP CARRIER



CC-06-6

- *Machine section:
6,12,16,20,30 sect section.
- *Every section clamps:
6-12 pcs for choice.
- *Max. clamp working depth:
38"(965mm), 44"(1118mm) or
50"(1270mm), for choice.
- *Max. working length:
100"(2540mm), 120"(3048mm)
or 150"(3810mm) for choice.
- *Working thickness:
15-100mm (If thickness is less
than 20mm, the separate hold-
down bars are as option to
prevent the warp of stock.)

EXAMPLES FOR TIMBER GLUINGS



Roller type Glue Spreader: FE-024, 036, 048

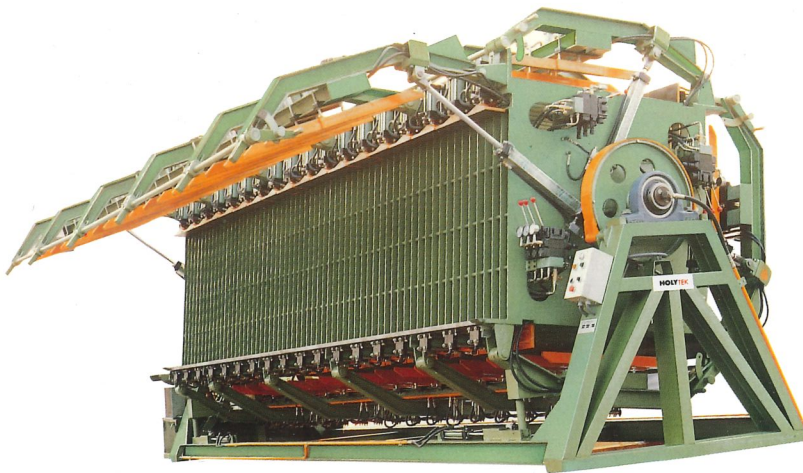
- FE-024 working width: 24"(610mm), motor: 2HP
 - FE-036 working width: 36"(915mm), motor: 2HP
 - FE-048 working width: 48"(1210mm), motor: 2HP
- (Single or double side gluing for choice)



ROTARY COMPOSER

For your best quality Glue Boards!

Different thickness of glue boards for the composer is less than 0.3~0.8mm and this design saves a lot of costs in sanding.



R4-6200-1300

R4-6200-1300 HYDRAULIC ROTARY COMPOSER

- 4 section, working size (LxWxH): 6200x1300x10~150mm

R12-2200-300 HYDRAULIC ROTARY COMPOSER

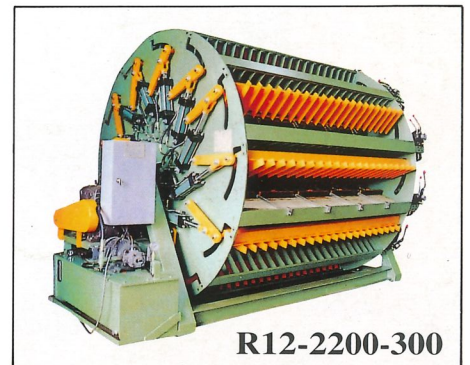
- 12 section, working size (LxWxH): 2200x300x50mm



R6-2500-1300

R6-2500-1300 HYDRAULIC ROTARY COMPOSER

- 6 section, working size (LxWxH): 2500x1300x10~150mm



R12-2200-300

SPECIFICATION

MODEL	R4-6200-1000 R4-6200-1300	R4-5200-1000 R4-5200-1300	R4-4600-1000 R4-4600-1300	R4-3200-1000 R4-3200-1300	R6-2500-1000 R6-2500-1300	R12-2200-300
Working size: LxWxH	6200x1000x10-150mm 6200x1300x10-150mm	5200x1000x10-150mm 5200x1300x10-150mm	4600x1000x10-150mm 4600x1300x10-150mm	3200x1000x10-150mm 3200x1300x10-150mm	2500x1000x10-150mm 2500x1300x10-150mm	2200x300x50mm
Oil pressure type						
Side pressure	80Øx80 1 side 18pcs total 72pcs	80Øx80 1 side 16pcs total 64pcs	80Øx80 1 side 13pcs total 52pcs	80Øx80 1 side 8pcs total 32pcs	80Øx80 1 side 6pcs total 36pcs	50Øx60 1 side 5pcs total 60pcs
Up pressure	40Øx150 1 side 18pcs total 72pcs	40Øx150 1 side 16pcs total 64pcs	40Øx150 1 side 13pcs total 52pcs	40Øx150 1 side 8pcs total 32pcs	63Øx250 1 side 2pcs total 12pcs	63Øx150 1 side 2pcs total 24pcs
Pressure	140-kg	140-kg	140-kg	140-kg	140-kg	140-kg
Motor	3HP/6P	3HP/6P	3HP/6P	2HP/6P	2HP/6P	2HP/6P
Hydraulic pump	10HP	10HP	7 1/2HP	5HP	5HP	5HP
Machine dimension	7500x2500x3000mm	6500x2500x3000mm	6200x2500x3000mm	4500x2500x3000mm	3850x2450x2800mm	3550x2450x2750mm
Packing dimension	7910x2820x3425mm	7080x2820x3425mm	6500x2820x3400mm	4700x2820x3425mm	4090x3242x3848mm	3850x2800x3100mm
N.W./G.W.	14600/17600kgs	13800/16200kgs	9600/11600kgs	6800/8200kgs	6500/7900kgs	4500/6000kgs

☐ All specifications, dimensions and design characteristics shown in this catalogue are subject to change without notice.

HOLYTEK

HOLYTEK INDUSTRIAL CORP.

9F-1, NO. 400, SEC. 1, CHANG PING RD., TAICHUNG, TAIWAN, R.O.C.
TEL: 886-4-2452818 (REP.) FAX: 886-4-2436928