

End Matching M/C



*Hydraulic Feeding System
(Specially Designed for Tongue and Groove
Flooring Ends and Finger Shaping)*



The Holytek End Matching Machine is a reliable, economical and quality-engineered solution for random length end matched timber. The newly designed hydraulic feeding system is less noisy and more durable than other models. The boards are automatically fed into machine, and a dual cutting unit produces a square cut to the ends.

HOLYTEK

www.hoechsmann.com

HOLYTEK

End Matching Machine



min.working length: 310mm
max.working length: about 3 meter

*special size as optional



■ Rigid Design Cutter Unit



With "sensor" control of the cutter unit, moving is accurate.

■ Dual Action Clamping and Quick Easy Setting Unit

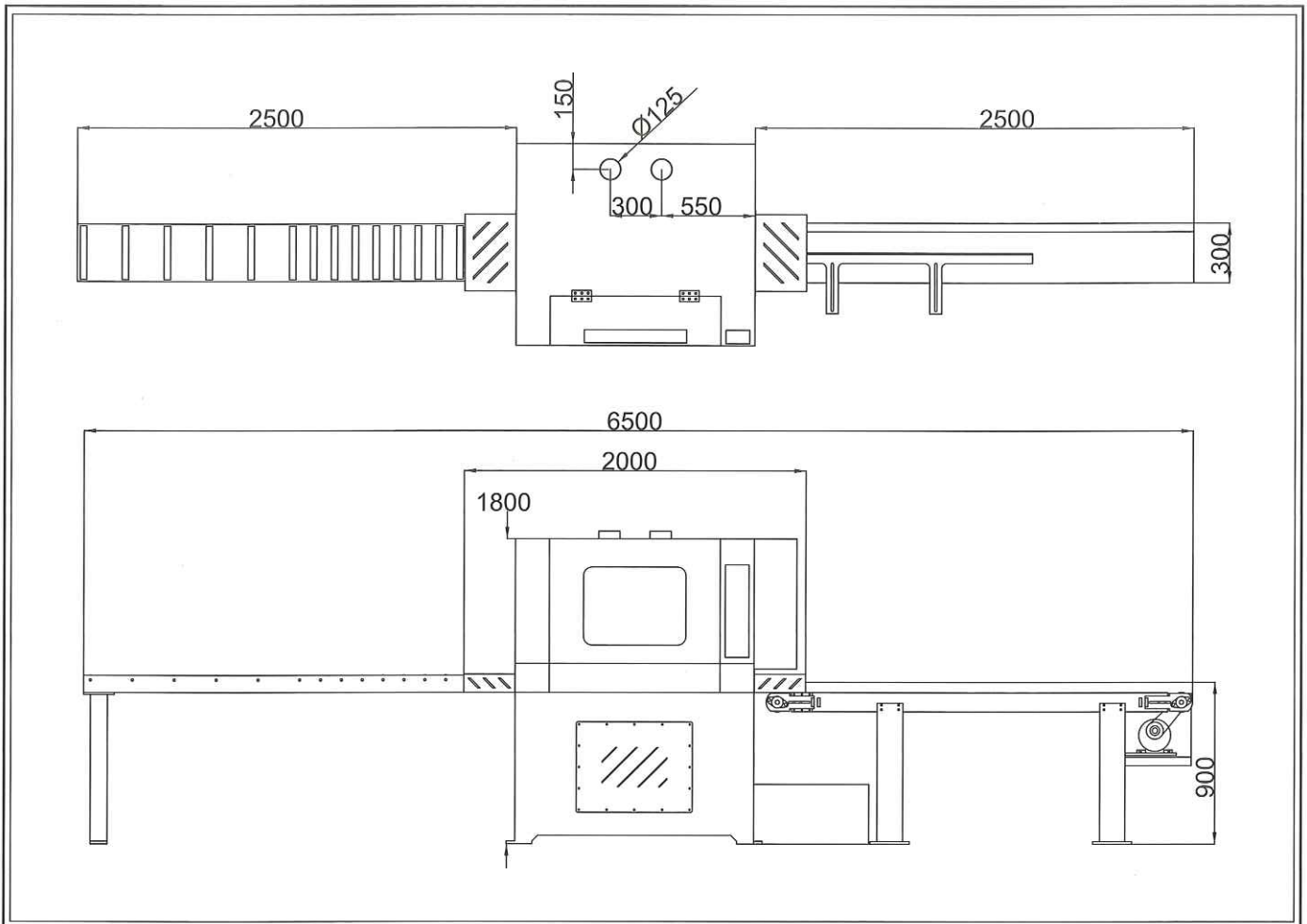


The PU rollers with high speed feeding, simple adjustment clamping unit secure the boards flat to the bed and square to the fence, guaranteeing a square, accurate cut every time.

- Holytek End Matching Machine with 2.5 long motorized infeed conveyor and 2.5m long idle outfeed roller or motorized conveyor (optional). The all-enclosed guard system ensures the safety of operators.

ED-10
www.hoechsmann.com

MACHINE DIAGRAM



SPECIFICATIONS

MODEL	ED-10
Min. board length	310 mm
Maximun working height	20-100 mm
Maximun working width	20-250 mm
Spindle motor	7.5 HP x 2
Hydraulic pump motor	3HP
Feed motor	1HP
Spindle diameter	40 mm
Spindle speed	6000 rpm
Infeed speed	20 m/min.
Machine feed speed	80 m/min.
Machine size	6500 x 1300 x 1800 mm
Packing size	2800 x 2250 x 2000 mm
Net weight	1700 kgs
Gross weight	1850 kgs

*All specifications, dimensions and design characteristics shown in this catalogue are subject to change without notice.

HOLYTEK

HOLYTEK INDUSTRIAL CORP.

9F-1, NO. 400, SEC. 1, CHANG PING RD., TAICHUNG, TAIWAN, R.O.C.

TEL: 886-4-2245-2818 (REP.) FAX: 886-4-2243-6928

E-mail: holytek@ms13.hinet.net

<http://www.holytek.com.tw>

www.hoechsmann.com

CAT NO: 2000012000