

Cross Cut-Off Saw

*Bigger Capacity
Faster Cutting Stroke
"CE" Regulations*



With Holytek Cut-Off Saw you get the fastest cutting and maximum safety protection for the operator. Designed for speed, efficiency and at a reasonable cost. Choice of three models in 14", 18" and 24" blade diameters.

HCS-18R

HOLYTEK

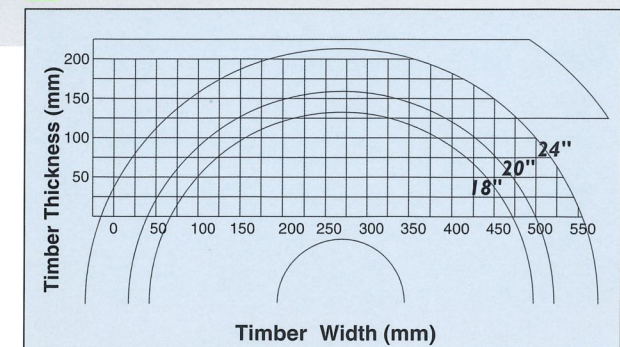
HOLYTEK HCS series Cross Cut - Off Saw

FEATURES

- Cutting off capacity (thickness x width): 2" x 21", 4" x 19", 6" x 15", 8" x 8".
- Motion cycles are pneumatically operated, and conveniently controlled by a foot switch.
- 24" sawblade is optional.
- Convenient cutting thickness adjustment is made by means of a knob. A rule gauge is provided for correct reading of sawblade protrusion over the table.
- Safety guard for security is standard.
- Fast cutting rate up to 40 strokes per minute. Cycle speeds are adjustable.
- Picture shown -- Infeed in right side is model HCS-24R.
- Powerful, high torque 10HP motor drive.
- Easy belt tension adjustment or replacement.
- Infeed and outfeed roller conveyors are optional (4' ~ 12' for choice).
- Emergency stop switch standard.

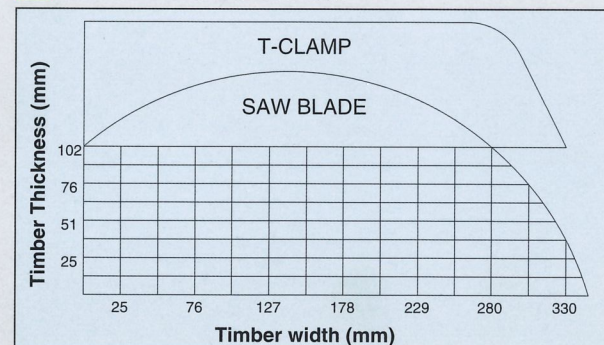


24" CAPACITY CHART



HCS-24R (Infeed in Right Side)
HCS-24L (Infeed in Left Side)

18" CAPACITY CHART



HCS-18R (Infeed in Right Side)
HCS-18L (Infeed in Left Side)

FEATURES

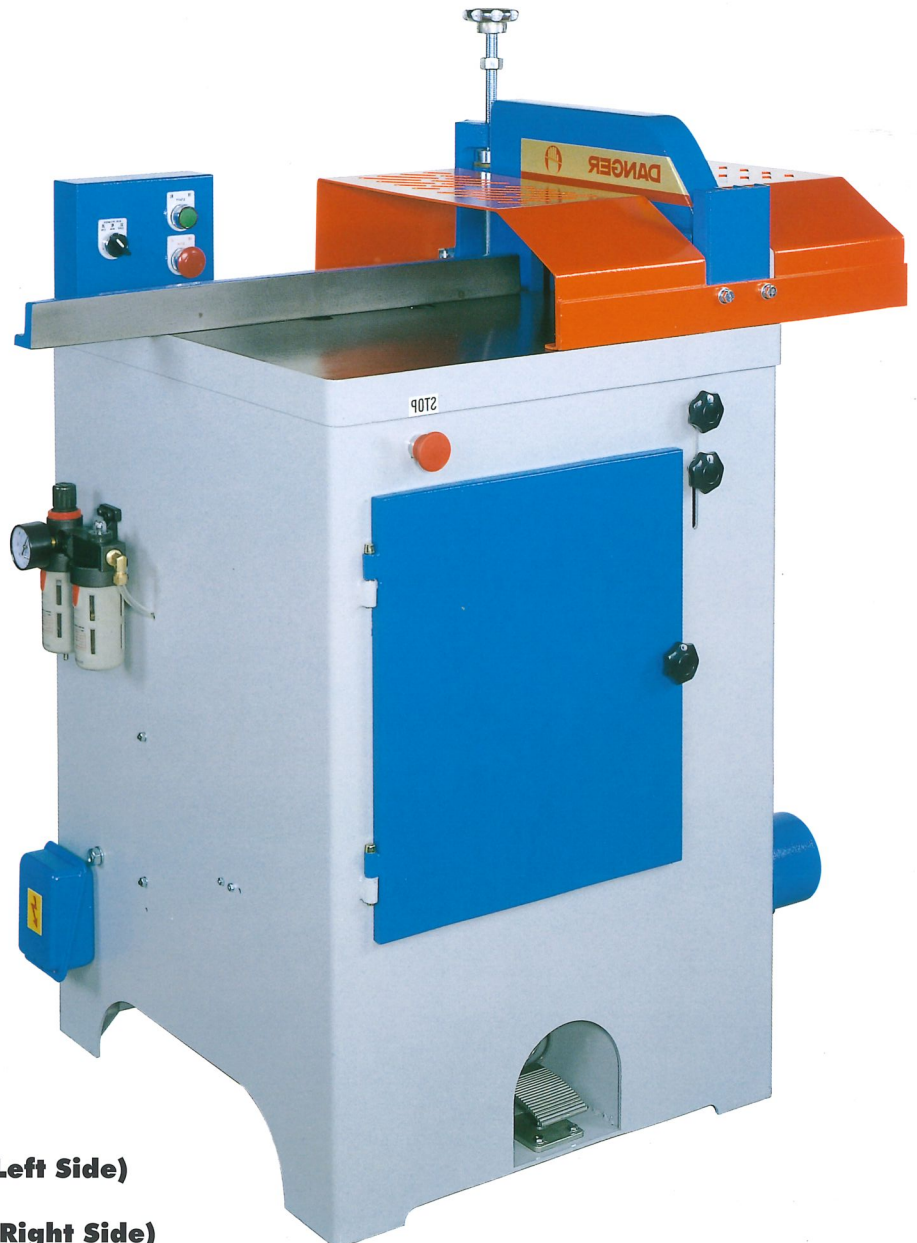
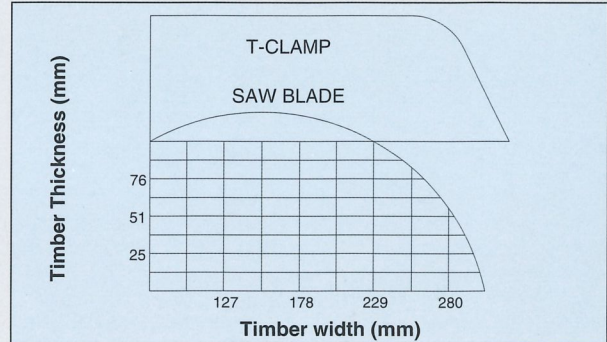
- Cutting off capacity (thickness x width): 2" x 12", 3" x 11", 4" x 10".
- Stripped table surface is precision ground, assuring cutting accuracy.
- Picture shown -- Infeed in right side is model HCS-18R.
- Fast cutting rate up to 70 strokes per minute. Cycle speeds are adjustable.
- Motion cycles are pneumatically operated, and conveniently controlled by a foot switch.
- Powerful, high torque 7-1/2HP motor drive.
- 18" sawblade is optional.
- Clamp is easily adjusted for workpiece thickness variation.
- Easy belt tension adjustment or replacement.
- High stability at fast cutting rates.
- Infeed and outfeed roller conveyors are optional (4' ~ 12' for choice).
- Convenient cycle speed adjustment from outside the machine is available.
- A version model is available for cutting aluminum and acrylic material.
- Emergency stop switch standard.



FEATURES

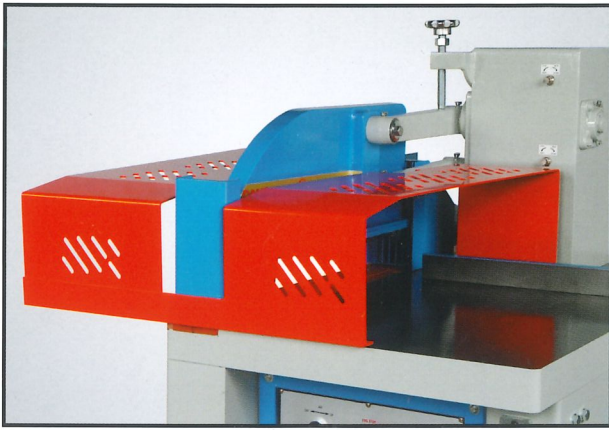
- Cutting off capacity (thickness x width): 1" x 10", 2" x 9", 3" x 8".
- Stripped table surface is precision ground, assuring cutting accuracy.
- Picture shown -- Infeed in left side is model HCS-14L.
- Fast cutting rate up to 95 strokes per minute. Cycle speeds are adjustable.
- Motion cycles are pneumatically operated, and conveniently controlled by a foot switch.
- Powerful, high torque 5HP motor drive.
- 14" sawblade is optional.
- Clamp is easily adjusted for workpiece thickness variation.
- Easy belt tension adjustment or replacement.
- High stability at fast cutting rates.
- Infeed and outfeed roller conveyors are optional. (4' ~ 12' for choice).
- Convenient cycle speed adjustment from outside the machine is available.
- Emergency stop switch standard.

14" CAPACITY CHART



HCS-14L (Infeed in Left Side)

HCS-14R (Infeed in Right Side)



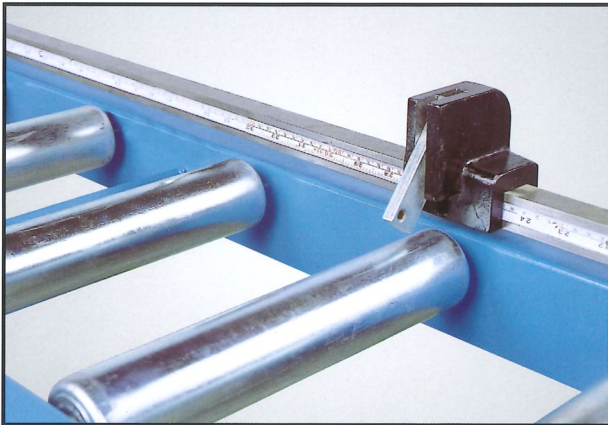
SAFETY GUARD FOR CUT-OFF SAW (Optional)

- All cut off saws feature complete safety for fast cutting operations. The sawblade is totally enclosed in the cabinet, and covered by the clamp while it raises to perform cutting. The optional see-through side guard prevents the operator's hands from approaching the cutting area. This assures the safest cutting operations.



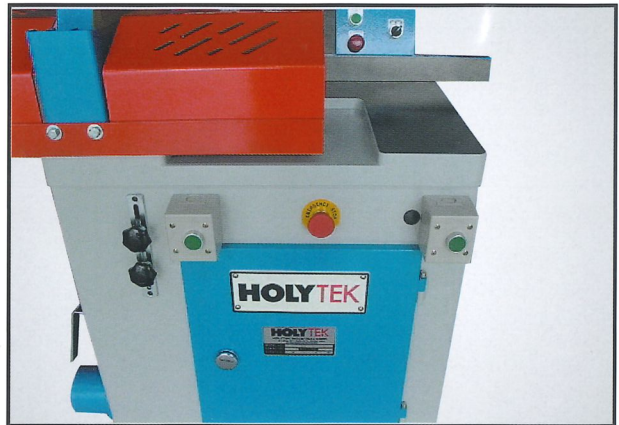
SAFETY SWITCH (Optional)

- When the operator's hands approach the cutting area, the safety switch will automatically be actuated to stop the machine as a safety guard.



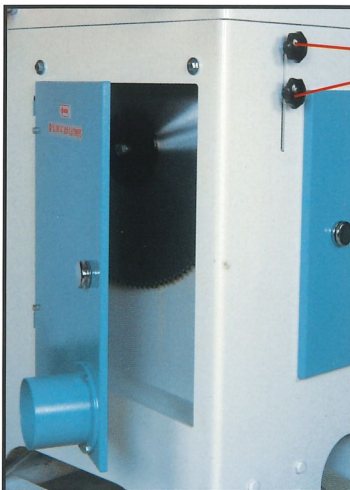
SWING STOPS

- Swing stop is provided on the outfeed roller conveyor, providing convenient length stops. It is ideal for repetitive cuts in a mass production line.



DOUBLE SWITCH CONTROL (Optional)

- Illustration of double start switch fitted as optional for all models. CE regulation is standard.
- Double switch control is for maximum safety of the operator.



EXCLUSIVE DESIGN

- Limit switch for adjustable cutting stroke
- The max. capacity up to 95 cuts/min. when adjusting the cutting stroke for stock thickness of 1" or less & narrow width piece for model HCS-14. (normal cutting capacity is about 45 cuts/per minute)
- Convenient and fast saw blade replacement.
- Proper dust collection design to keep machine inside clean.

SPECIFICATIONS

MODEL	HCS-14
Cutting capacity (thickness x width)	1" x 10", 2" x 9", 3" x 8"
Cycle speed	45 ~ 95 cuts/min
Cycle operation	Air
Saw blade size (optional)	14"
Saw arbor diameter	1"
Saw blade speed	4100RPM
Dust exhaust diameter	Ø4" x 1
Motor	5 HP (7 1/2 HP opt.)
Table size	590 x 630 mm
Net weight	240 kgs
Gross weight	290 kgs
Packing dimensions (L x W x H)	730 x 790 x 1350 mm

MODEL	HCS-18
Cutting capacity (thickness x width)	2" x 12", 3" x 11", 4" x 10"
Cycle speed	45 ~ 70 strokes/min
Cycle operation	Air
Saw blade size (optional)	18"
Saw arbor diameter	1"
Saw blade speed	3600RPM
Dust exhaust diameter	Ø4" x 1
Motor	7 1/2 HP (10HP opt.)
Table size	660 x 700 mm
Net weight	350 kgs
Gross weight	410 kgs
Packing dimensions (L x W x H)	770 x 940 x 1350 mm

MODEL	HCS-24
Cutting capacity (thickness x width)	2" x 21", 4" x 19", 6" x 15", 8" x 8"
Cycle speed	30 ~ 40 strokes/min
Cycle operation	Air
Saw blade size (optional)	20" / 22" / 24"
Saw arbor diameter	1"
Saw blade speed	2400 RPM
Dust exhaust diameter	Ø4" x 2
Motor	10 HP (15 HP opt.)
Table size	730 x 1150 mm
Net weight	520 kgs
Gross weight	600 kgs
Packing dimensions (L x W x H)	1360 x 790 x 1450 mm

• We reserve the right to modify design without prior notice.

OPTIONAL EQUIPMENT:

- Sawblade
- Infeed and outfeed roller conveyor, length as required.
- Safety guard & switch

HOLYTEK

HOLYTEK INDUSTRIAL CORP.

9F-I, NO. 400, SEC. 1, CHANG PING RD., TAICHUNG, TAIWAN, R.O.C.

TEL: 886-4-2245-2818 (REP.) FAX: 886-4-2243-6928

E-mail: holytek@ms13.hinet.net

<http://www.holytek.com.tw>