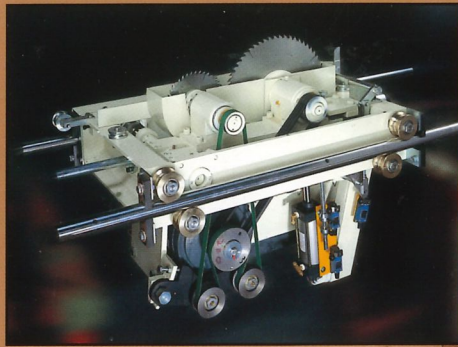


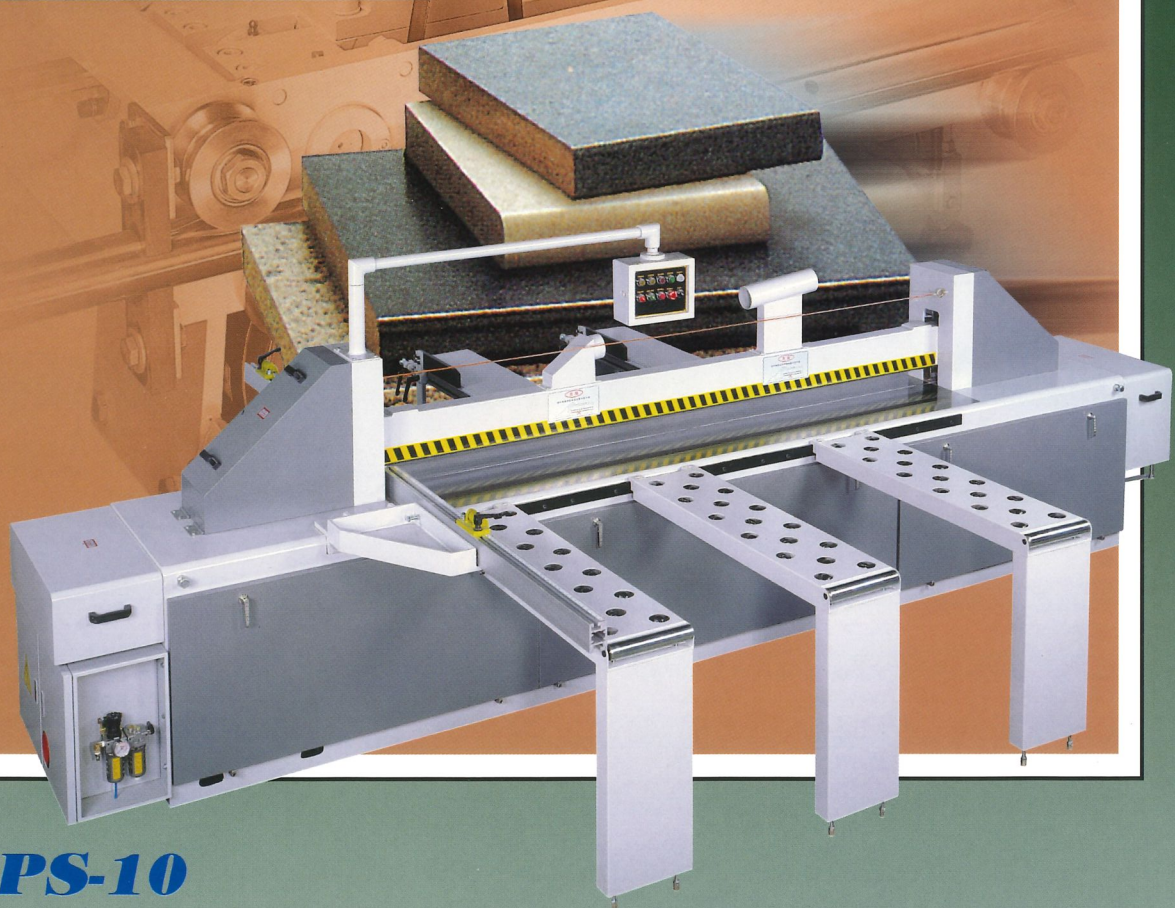
# Auto. Panel Saw



## SAW CARRIAGE

Saw carriage moves on hard chrome plated guide rods for accurate straight movement that guarantees the maximum cutting accuracy.

Scoring blade may be easily adjusted for proper depth of cut.

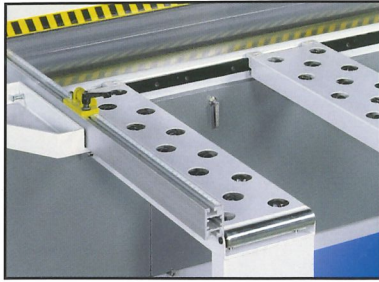


## HPS-10

The new Auto Panel Saw from Holytek, with an advanced carriage system, features a saw carriage which moves on hard, chrome plated guide rods. This guarantees accurate, straight movement and maximum cutting accuracy. The easily controlled rip fence may be micrometrically adjusted from 35 to 1,200 mm. Vertical and lateral adjustment of the scoring blade allows clean burrs. The saw unit feed has a three-speed adjustment and the return is accomplished in rapid traverse. All this, combined with innovative safety features, present a dependable machine also at an economical price.

# HOLYTEK

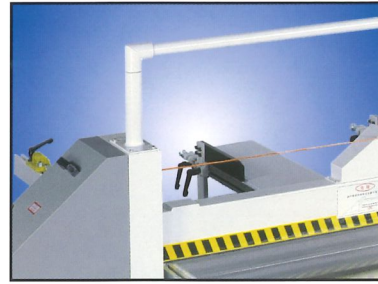




### PRESET CUT OFF LENGTH

● A graduated rule is attached on cross cut fence for reading the length being cut. It is combined with a swing stop for cutting identical length in mass production.

- Quick action lever locks setting securely.
- Universal ball table (front) standard.

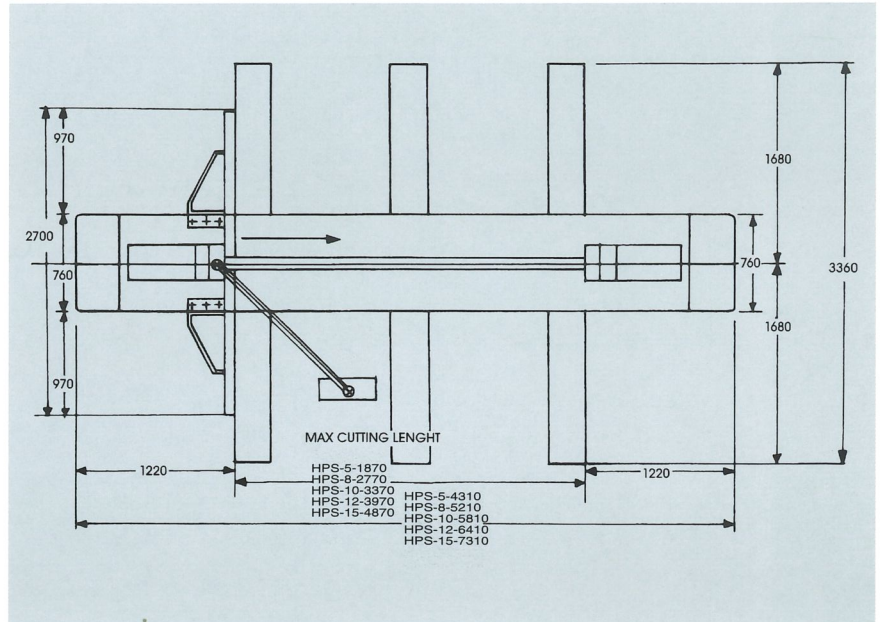


### EASY CONTROL RIP FENCE

Rip fence may be micrometric adjusted, permitting fence to be locked rigidly and accurately parallel to the cutting track.

### DESIGN FEATURES:

- Precision ground guide rod. Made from medium carbon steel, coated with hard chrome, to provide smooth and accurate travel.
- Vertical and lateral adjustment of scoring saw blade permits clean burrs.
- Saw unit feed has 3 speed adjustment and the return is accomplished in rapid traverse.
- Heavy gauge base frame and table rest are welded from cold rolling steel plate-offers rugged construction.
- "Follow-up" type dust collector system assures high efficiency for collection.
- Guide rod fitted with PU board to wipe off dust efficiently.
- Fast and convenient length adjustment with micrometric adjustment ranging from 35 to 1,200 mm.



| MODEL                      |                    | HPS-5          | HPS-8          | HPS-10         | HPS-12         | HPS-15         |
|----------------------------|--------------------|----------------|----------------|----------------|----------------|----------------|
| Spindle motor              | HP                 | 13             | 13             | 13             | 13             | 13             |
| Feeding motor              | HP                 | 2              | 2              | 2              | 2              | 2              |
| Spindle saw blade Dia.     | inch               | 14"            | 14"            | 14"            | 14"            | 14"            |
| Spindle Dia.               | inch               | 1"             | 1"             | 1"             | 1"             | 1"             |
| Spindle speed              | R.P.M.             | 4400           | 4400           | 4400           | 4400           | 4400           |
| Pre-scoring saw blade Dia. | mm                 | 160            | 160            | 160            | 160            | 160            |
| Pre-scoring spindle Dia.   | inch               | 1"             | 1"             | 1"             | 1"             | 1"             |
| Pre-scoring spindle speed  | R.P.M.             | 6400           | 6400           | 6400           | 6400           | 6400           |
| Max. cutting, height       | mm                 | 85             | 85             | 85             | 85             | 85             |
| Max. cutting, length       | mm                 | 1650           | 2600           | 3200           | 3800           | 4700           |
| Feeding speed              | M/min              | 15-20-25       | 15-20-25       | 15-20-25       | 15-20-25       | 15-20-25       |
| From floor to table height | mm                 | 820            | 820            | 820            | 820            | 820            |
| Compressed air required    | kg/cm <sup>2</sup> | 5.5            | 5.5            | 5.5            | 5.5            | 5.5            |
| Machine dimension          | mm                 | 4300x2700x1650 | 5300x2700x1650 | 5900x2700x1650 | 6500x2700x1650 | 7500x2700x1650 |
| Machine weight             | kgs                | 1900           | 2240           | 2320           | 2800           | 3350           |
| Packing size               | mm                 | 4620x1000x1650 | 5400x1000x1650 | 6000x1000x1650 | 6600x1000x1650 | 7600x1000x1650 |
| Pallet weight              | kgs                | 2300           | 2320           | 2400           | 3200           | 3700           |

● Specifications and design characteristics are subject to change without prior notice.

# HOLYTEK

## HOLYTEK INDUSTRIAL CORP.

9F-I, NO. 400, SEC. I, CHANG PING RD., TAICHUNG, TAIWAN, R.O.C.

TEL: 886-4-2245-2818 (REP.) FAX: 886-4-2243-6928

E-mail: holytek@ms13.hinet.net

http://www.holytek.com.tw