

## Keen on Small Quantities



**The 2 Series: HPP 230 | HPP 250**

# For anyone with great plans

The 2 series from HOLZMA is ideal for entry-level companies and companies upgrading equipment. However, larger companies that often work with small batches can also benefit from its strong features. Plenty of power and functionality at a low cost see to that. Even the extremely compact HPP 230 presents convincing efficiency and performance. The completely redesigned HPP 250 goes one step further. Faster, more compact and even better than its globally successful predecessor, the HPP 250 offers enormous flexibility and a wide range of optional extras. But best of all, both models are available at a price that makes it particularly attractive to enter the league of horizontal beam saws.



## Contents

- 04 HPP 230 – the smallest horizontal beam saw
- 06 HPP 250 – fast, compact, better
- 08 Standard features
- 12 Optional extras
- 18 Technical data

## HPP 230 – the smallest horizontal beam saw

HPP 230 | HPP 250

The HPP 230 combines power, reliability and functionality in a minimum of space. An innovation that will help you complete your customers' orders swiftly and efficiently. Even in its standard version, the HPP 230 offers impressive state-of-the-art technologies. A lot of machine for a little money. Optional extras allow it to be exploited to its full potential as and when the need arises. An investment that pays off!

### HPP 230 at a glance

- compact price, compact size, genuine HOLZMA technology and quality
- speed gives a competitive edge, because shorter cutting cycles free up personnel
- numerous optional extras provide even greater efficiency

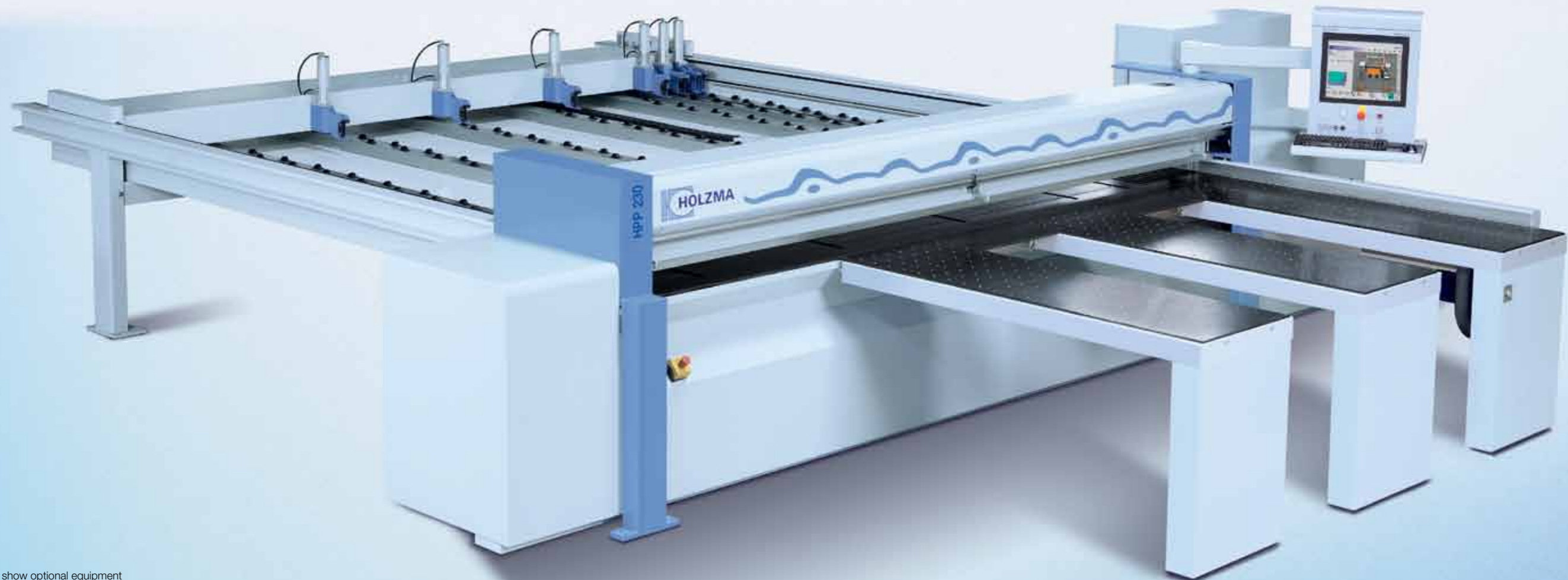


Illustration may show optional equipment not included in the basic price.

# HPP 250 – fast, compact, better

HPP 230 | HPP 250

The HPP 250 is the champion among small horizontal beam saws. A successful model that HOLZMA has further enhanced. The result: significantly shorter cutting cycles, smaller footprint and increased quality. That makes the HPP 250 more than ever the ideal choice for cutting smaller batches and books fast. The many optional extras leave plenty of scope for more.

## HPP 250 at a glance

### Fast

- short cutting cycles due to higher saw carriage speed

### Compact

- smaller footprint despite improved performance

### Better

- high precision due to rack and pinion saw carriage drive
- flexible pressure regulation for clamps and pressure beam
- CADmatic 4 PRACTIVE with 3D moving graphics

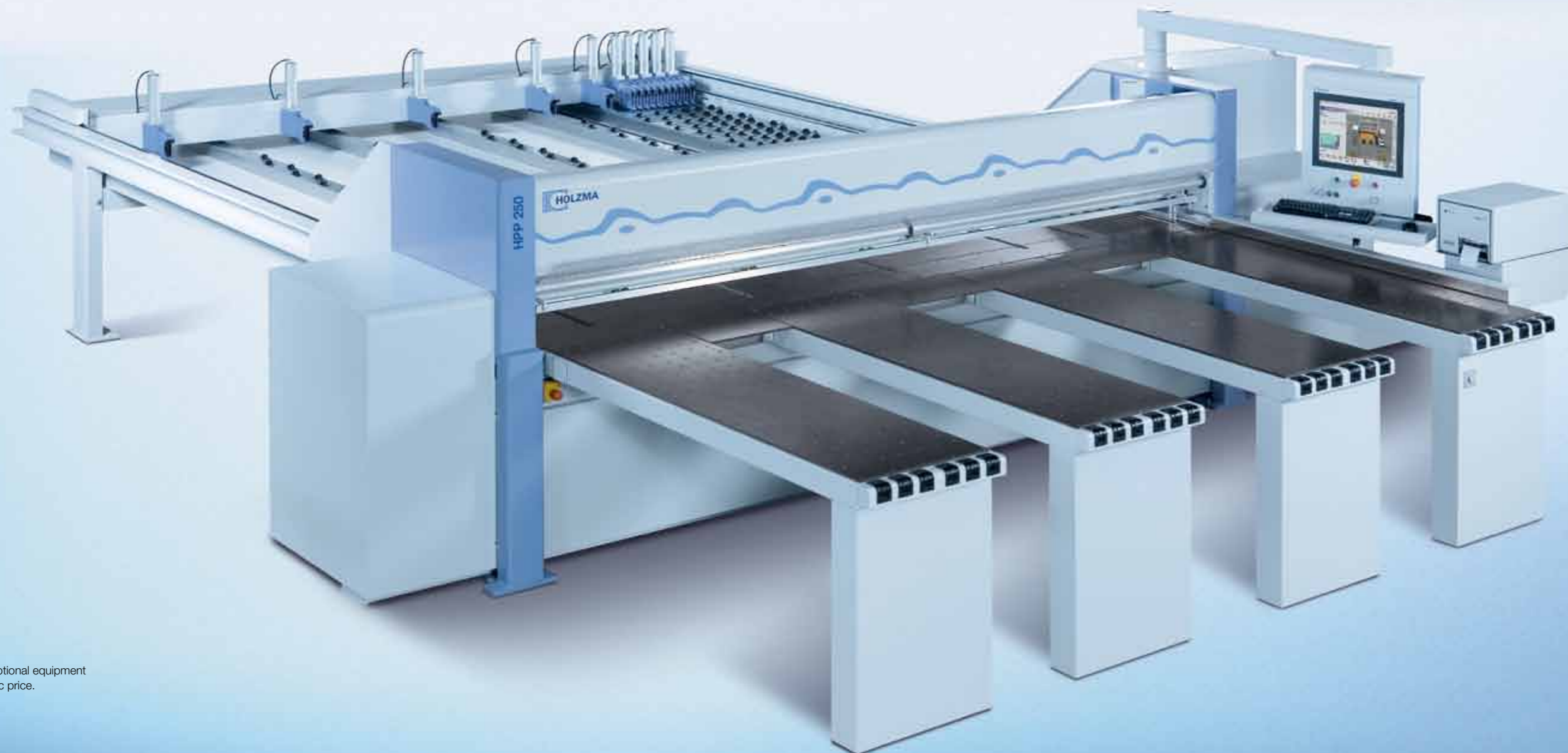
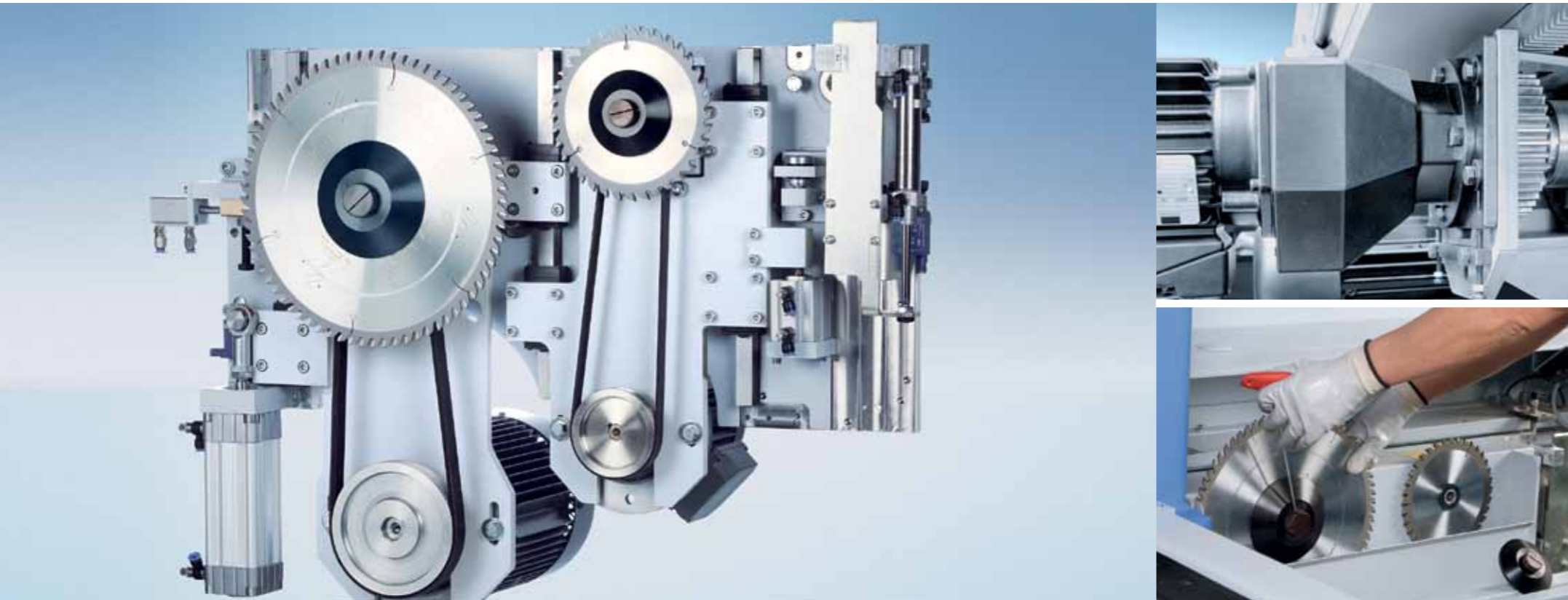


Illustration may show optional equipment not included in the basic price.

# Standard features

Why a HOLZMA? That's quite obvious: because first-class quality and state-of-the-art technologies are standard here. This is also true of the 2 series. Your benefit: even the standard models are equipped with state-of-the-art high-tech systems that make your work even more efficient. The results speak for themselves!



### The heart of the saw

The saw carriage consists of a heavy-duty steel construction with main saw, scoring saw and central side aligner.

Its strengths:

- infinitely variable saw carriage speed
- low-noise, maintenance-free rack and pinion drive
- fast saw blade change thanks to Power-Loc
- easy adjustment of the scoring saw
- automatic alignment of the scoring saw blade

### Power-Loc

This really easy and fast system speeds up blade changes on both main saw and scoring saw.

### ecoPlus: state-of-the art technology for energy savings

- all models supplied with new motors with EFF1 energy efficiency rating
- numerous innovations for improved ergonomics and smooth process flow

More information in the ecoPlus brochure.

**Save energy**  
with the models of the 2 series.  
Tip: before purchasing, check out government funding opportunities.

ecoLine is now  
ecoPlus – for even  
greater energy  
efficiency





**Manual pressure regulation**  
(only for the HPP 250)

The standard HPP 250 comes prepared for cutting pressure-sensitive panels. Two manual controls allow you to adjust the pressure for the clamps and the pressure beam to suit your particular panel material.



**Control made to measure – CADmatic 4 PRACTICE**

(CADmatic PROFESSIONAL available as option for HPP 250)

Developed especially for production processes in panel sizing technology, this control software delivers optimised processes. The machine's potential is exploited to the full with:

- intuitive operating software
- 17" TFT flat screen monitor
- automatic alignment of the scoring saw blade
- online diagnostics



**Program fence for precision and dimensional accuracy**

The compact, electronically controlled program fence with clamps and precision guide has an electro-magnetic measuring system which guarantees positioning accuracy of +/- 0.1 mm. Even minimal trim and dust cuts are possible. The measuring system entails absolutely no wear and no maintenance.

**Rugged pressure beam for first-class cut quality**

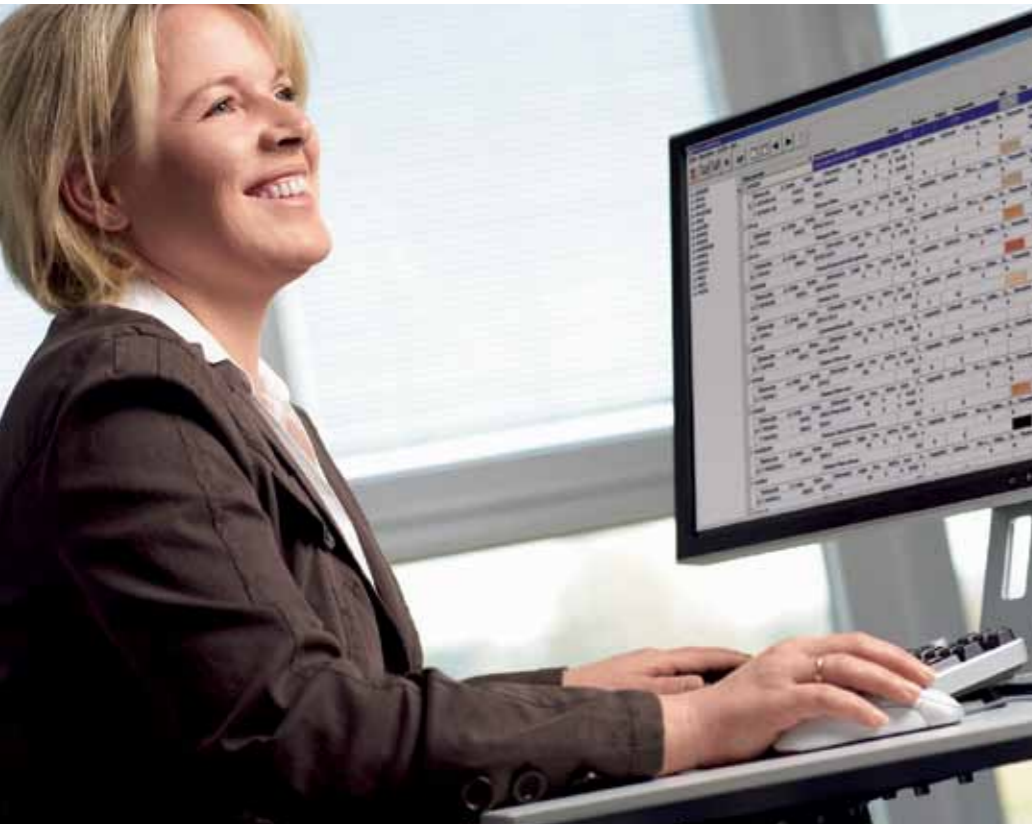
The large-area pressure zone directly at the cutting line allows vibrations to be reduced to a minimum. This results in precise, clean cuts, for both single panels and books.



**HOLZMA patent: central aligning device**

- Time is money, that's why HOLZMA has integrated the side aligner directly in the saw carriage. This shortens cycle times by up to 25% in comparison with conventional systems.
- Contact pressure is infinitely variable. This allows even thin boards, laminates or sensitive materials to be processed perfectly.
- The side aligner can travel the entire cutting length.

Anyone facing special challenges needs tailored solutions. That's why HOLZMA also offers optional extras for the 2 series – enabling you to match the performance and functionality of your HOLZMA saw exactly to your production requirements. This significantly shortens the investment payback period.



### Cutting pattern optimisation in the office

With its excellent optimisation software Cut Rite, HOLZMA caters for top performance and higher efficiency in panel sizing technology.

- optimised project control
- efficient cutting processes
- full control of costs
- faster calculations

As an alternative to the comprehensive Cut Rite optimisation software, CADplan, an add-on module for the CADmatic, can be used to perform small optimisation jobs directly at the saw.

### Trim stops for special materials

With these, your HOLZMA can also master material with overhanging laminates or veneers. The trim stops are integrated in the clamps and are simply flipped forward when required:

- precise positioning
- gentle processing of sensitive materials with overhanging laminate or veneer

### Easy2Feed

(only for the HPP 250)

Easy2Feed promises automatic feeding at a budget price. This optional extra saves time and space, is particularly ergonomic and is retrofittable for the HPP 250. The core element is a compact scissor lift table, which can be comfortably loaded by fork-lift truck.

- available for the HPP 250
- for 3800 and 4300 mm cutting lengths (only for right-orientated execution)
- minimum 9.5 mm panel thickness for feeding
- maximum panel size: 3100 x 2200 mm
- stack height 460 mm (standard version)
- lift table standing in pit by request
- for material that can be push-fed
- roller conveyor at side available as option



### Cutting and kerfing

This optional extra allows you to complete kerfing jobs with the panel saw. A solution that saves time and accelerates processing.



### Label printer

The HOLZMA label printer has everything to facilitate an efficient workflow. You can print individual labels directly at the saw and design them to include bar-codes, text and graphics, if so desired. If you also use our Cut Rite optimisation software, instructions for downstream CNC machining can also be included on the labels.



### Additional clamps

So that your HOLZMA can securely hold thin, smooth or large-size materials.

### More power for the main saw

Both models can be equipped with a more powerful main saw motor. You can increase the power for an HPP 230 from 5.5 kW to 7.5 kW; for an HPP 250 from 7.5 kW to 9.2 kW.

### Gentle material handling

Additional rollers at the edge of the air table ensure especially gentle handling of material and lessen the effort required.

### Performance package

HOLZMA now also offers attractively priced options packages tailored for processing sensitive panel materials.

### Economical storage link-up

HOLZMA offers economical feeding solutions with storage system integration for the single saws of the 2 series.

- ideal for the trade and craft sector
- low space requirement
- attractive price
- movable in x and y directions
- saw and storage system are perfectly matched

- automatic feeding for small panel-sizing saws
- perfect handling – even with just one machine operator
- easy, ergonomic operation
- storage system controls the saw
- more information, for example about combination with BARGSTEDT TLF storage systems, can be found in the HOLZMA Handling brochure

### High-precision laser alignment

Accurate cuts require accurate positioning. This is particularly important when cutting solid wood panels, for example. HOLZMA developed its laser guide option specifically for this purpose.

- pinpoint positioning across the board
- ideal for aligning solid wood panels

### Clamps: perfection down to the last detail

HOLZMA's powerful clamps hold the material firmly but gently and position it accurately on the cutting line.

HPP 230 (top picture), HPP 250 (bottom picture) with optional clamps in positions 3 and 5.

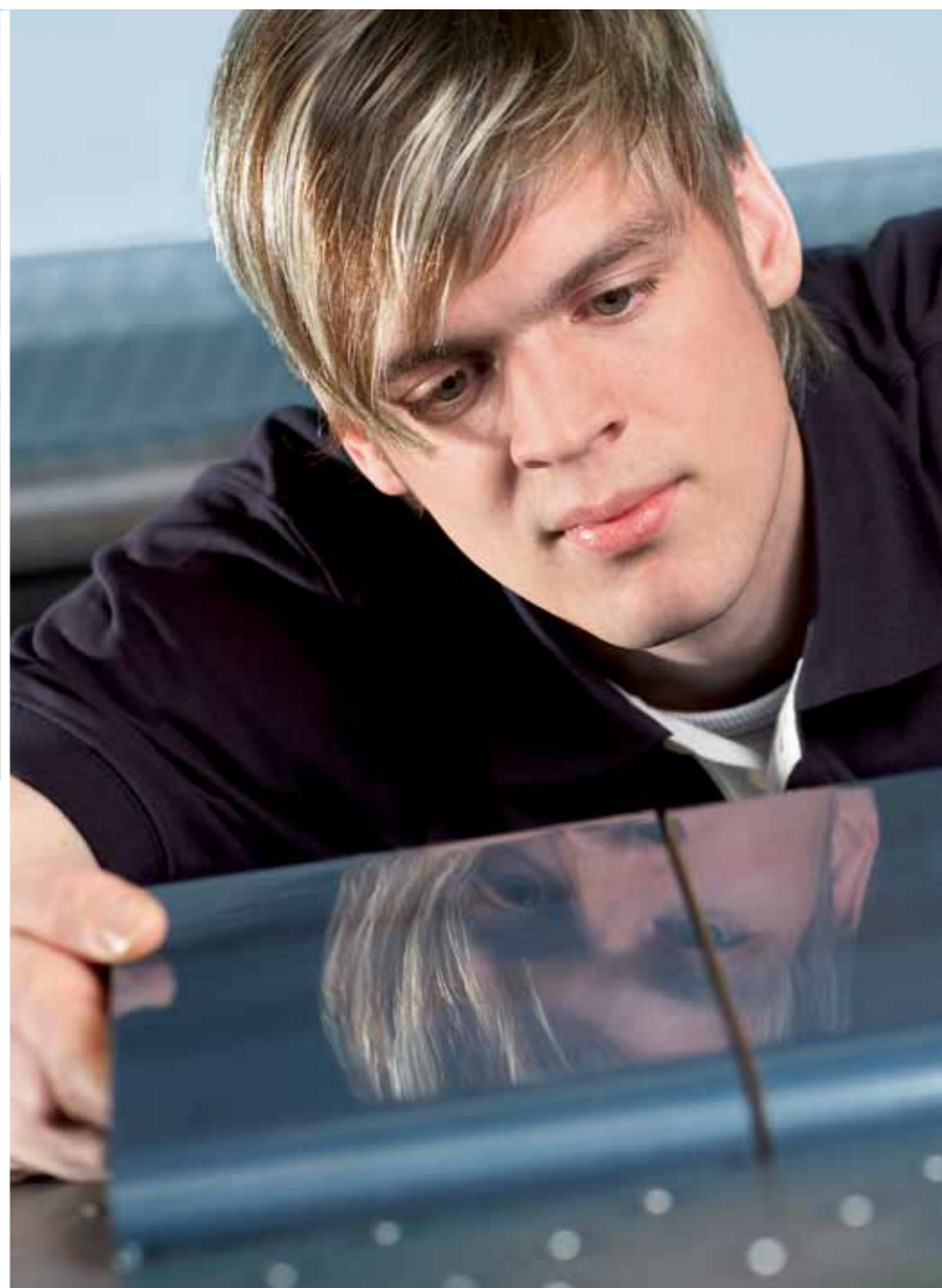




### The perfect postforming cut

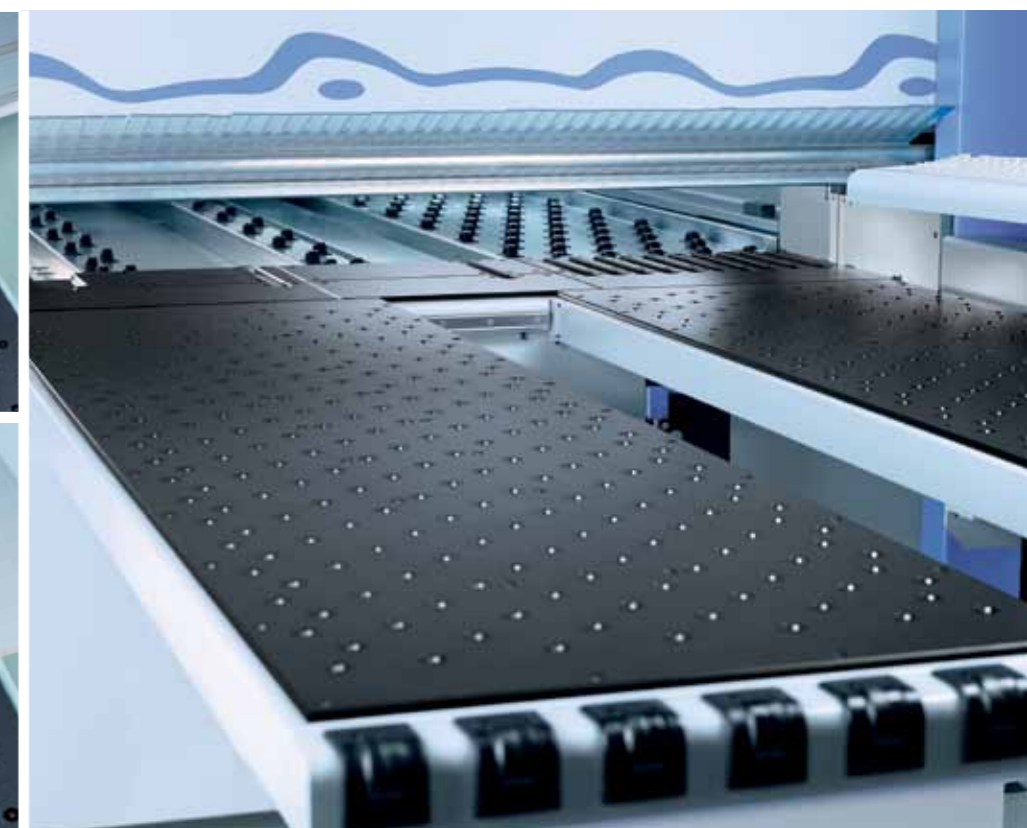
(only for the HPP 250)

The ascending scoring saw unit enables you to make first-class softforming and postforming cuts.



### Cut-out and stress-release cut

Tension in the material is released when it is cut and can affect the quality of dimensions and cuts. The HOLZMA stress-release cut option remedies this: systematic preliminary cuts eliminate the tension in the material. The additional cut-out feature allows you to produce both cut-outs and intermittent grooves in the panels, as are required for kitchen sinks, for example.



### Movable air table

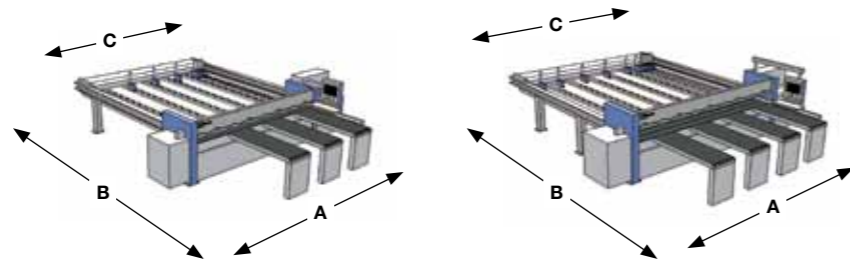
(only for the HPP 250)

The movable air table is easily moved along linear guides and offers you a mobile work surface and storage area. It enables you to move small and big panels or books more ergonomically and at the same time with less risk of damage.

For the HPP 230 and the HPP 250, the air tables are also available in a 1200 mm length. This allows the machine to fit into almost any space.

# The HOLZMA 2 series at a glance

Size, performance, features: the most important technical data for the HPP 230 and the HPP 250 can be seen here at a glance. Would you like to know more right now? Your HOLZMA sales consultant will be pleased to give you more information.



| Technical data*            | HPP 230                                  | HPP 250                               |
|----------------------------|--|---------------------------------------|
| Saw blade projection       | 55 mm (2.17")                            | 75 mm (2.95")                         |
| Cutting length             | 3 100/3 800/4 300 mm (122"/150"/169")    | 3 100/3 800/4 300 mm (122"/150"/169") |
| Program fence speed        | 40 m/min** (131 ft/min)                  | 60 m/min** (196 ft/min)               |
| Saw carriage speed         | 1-60 m/min (3-196 ft/min)                | 1-100 m/min (3-328 ft/min)            |
| Main saw motor             | 5.5 kW (7.5 HP)                          | 7.5 kW (10 HP)                        |
| Scoring saw motor          | 1.1 kW (1.5 HP)                          | 1.1 kW (1.5 HP)                       |
| Main saw blade             | 350 x 4.4 - 5.5 x 75 mm (13.78")         | 350 x 4.4 - 5.5 x 75 mm (13.78")      |
| Scoring saw blade          | 200 x 4.4 - 5.5 x 45 mm (7.87")          | 200 x 4.4 - 5.5 x 45 mm (7.87")       |
| Control software           | CADmatic 4 PRACTICE                      | CADmatic 4 PRACTICE                   |
| Monitor                    | 17" flat screen monitor                  | 17" flat screen monitor               |
| Total air requirement      | 150 NI/min (5.3 cfm)                     | 150 NI/min (5.3 cfm)                  |
| Compressed air requirement | 6 bar (87 psi)                           | 6 bar (87 psi)                        |
| Dust extraction            | 3 800 m³/h, approx. 26 m/sec (2 589 cfm) | 3 800 m³/h, ca. 26 m/sec (2 589 cfm)  |
| Total connected load       | 10.4 kW (14 HP)                          | 12.4 kW (17 HP)                       |
| Max. stack weight          | -  | -                                     |

\* Values refer to the standard version

\*\* In EU countries forward speed is 25 m/min

| Machine dimensions |                   |                   |                   |
|--------------------|-------------------|-------------------|-------------------|
|                    | A                 | B                 | C                 |
| <b>HPP 230</b>     |                   |                   |                   |
| HPP 230/31/31      | 5 174 mm (203.7") | 6 026 mm (237.2") | 3 417 mm (134.5") |
| HPP 230/38/31      | 5 874 mm (231.3") | 6 026 mm (237.2") | 4 117 mm (162.0") |
| HPP 230/38/38      | 5 874 mm (231.3") | 6 726 mm (264.8") | 4 117 mm (162.0") |
| HPP 230/43/38      | 6 374 mm (250.9") | 6 726 mm (264.8") | 4 617 mm (181.8") |
| HPP 230/43/43      | 6 374 mm (250.9") | 7 226 mm (284.5") | 4 617 mm (181.8") |
| <b>HPP 250</b>     |                   |                   |                   |
| HPP 250/25/25      | 4 574 mm (180.0") | 4 826 mm (190.0") | 2 817 mm (110.9") |
| HPP 250/31/31      | 5 174 mm (203.7") | 6 026 mm (237.2") | 3 417 mm (134.5") |
| HPP 250/31/25      | 5 174 mm (203.7") | 5 426 mm (213.6") | 3 417 mm (134.5") |
| HPP 250/38/31      | 5 874 mm (231.3") | 6 026 mm (237.2") | 4 177 mm (162.0") |
| HPP 250/38/38      | 5 874 mm (231.3") | 6 726 mm (264.8") | 4 177 mm (162.0") |
| HPP 250/43/31      | 6 374 mm (250.9") | 6 026 mm (237.2") | 4 617 mm (181.8") |
| HPP 250/43/38      | 6 374 mm (250.9") | 6 726 mm (264.8") | 4 617 mm (181.8") |
| HPP 250/43/43      | 6 374 mm (250.9") | 7 226 mm (284.5") | 4 617 mm (181.8") |



This brochure was given to you by:



**Choose the Original  
Choose Success!**

For the Success of Original Technology  
A VDMA Campaign

Printed 02/11. Subject to technical change without notice. Misprints and errors excepted.  
Illustrations may show extras not included in the basic price.

A company of the HOMAG Group



**HOLZMA Plattenaufteiltechnik GmbH**

Holzmastrasse 3  
75365 CALW-HOLZBRONN  
GERMANY  
Tel. +49 7053 69-0  
Fax +49 7053 6174  
info@holzma.com  
www.holzma.com

**HOLZMA Plattenaufteiltechnik S.A.**

Unipersonal  
Pol. Ind. Mas Dorca  
08480 L'AMETLLA DEL VALLES  
(BARCELONA) SPAIN  
Tel. +34 93 8431700  
Fax +34 93 8431707  
info@holzma.es

**HOLZMA U.S.**

Division of Stiles Machinery Inc.  
1200 Tulip Drive  
GASTONIA, NC 28052  
USA  
Tel. +1 704 861-8239  
Fax +1 704 867-4140  
holzma@stilesmachinery.com