



EXTREMELY ROBUST

FOIL SLITTER
RollCut-Master R



Foil Slitter for the exact and
neat longitudinal cutting.

FOIL SLITTER

RollCut-Master R

Industrial longitudinal cutting –
precise and accurate.



CUT FOIL AND PAPER AND WIND UP AGAIN NEAT AND CLEAN.

The Foil Slitter RollCut-Master R from Josting is for the exact and neat slitting of foil, film and paper rolls. From one wide roll you can make several narrow rolls by rewinding and slitting. The RollCut-Master R shines with his compact design: The braked pay-off shaft is located in the lower part and the two power-driven winding shafts in the upper part.

A pneumatically regulated brake which is fitted to the unwinding shaft takes care of constant web tension during the complete winding process. The brake will automatically be regulated by an ultrasonic sensor for the reel diameter. Web guide rollers ensure a steady flow of the foil and a straight-edged rewinding.

Slitting is performed either by swivelling roller cutters acting on a glasshard drum or by cutter blades, depending on the material.

The operating speed is infinitely variable and can be set at the geared motor. Tilting bearings and pneumatic clamping of the winding shafts make for easy handling and short setup times. Length selection by electro-mechanical meter counter is possible. Electrostatic charging of the foils and films is eliminated by two ionizing bars.

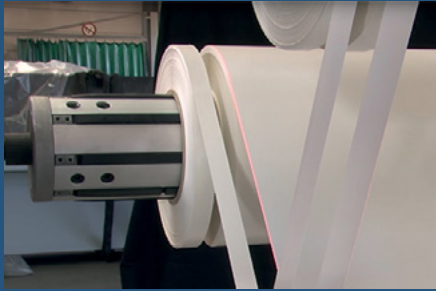
The RollCut-Master R cuts:

- ◊ Furniture foils
- ◊ Plastic films
- ◊ PVC films
- ◊ Copper foils
- ◊ Papers
- ◊ Aluminium foils
- ◊ Laminates
- ... and much more

WHAT DO YOU LIKE TO CUT?

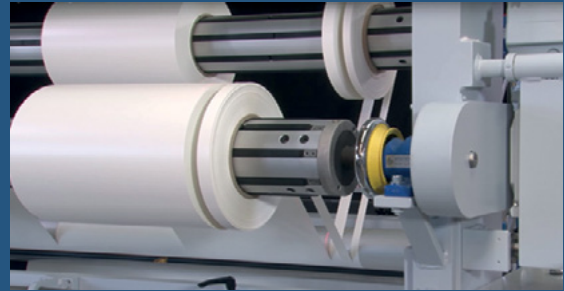
Feel free to send us samples of your materials for test cuts – we will be happy to assist you in your tasks!

IMPORTANT FEATURES AT A GLANCE



EXACT LASER GUIDE LIGHT

Positioning of roller cutters by means of laser guide light.



LONGITUDINAL CUTTING

Exact slitting and rewinding of foil and paper.



ROLLER KNIVES

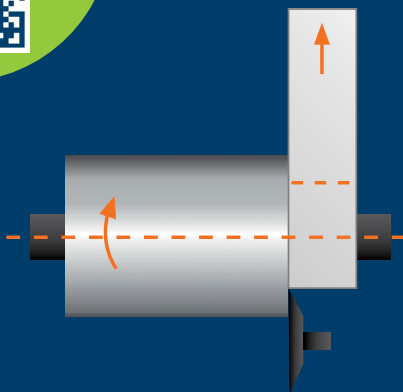
Pneumatic roller knives cut on glasshard drum.



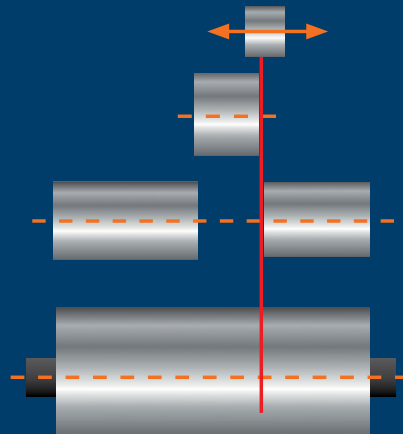
SHORT SET-UP TIMES

Thanks to tilting bearings and pneumatic clamping shafts.

WATCH OUR
PRODUCT
VIDEO!



Slitting unit with circular knife for dividing the roll on the pay-off shaft.



Positioning of roller cutters by means of the laser guide light.

FOIL SLITTER

RollCut-Master R

Technical data for all types

Min. width of roll	15 mm
Unwinding diameter	750 mm
Rewinding diameter	550 mm
Winding shaft for sleeve diameter	150 or 76 mm, other diameters on your request
Operating speed	10 - 150 m/min
Electrical connection	2,2 kW
Compressed air requirement	6 bar
Height	185 cm

RollCut-Master R	1500	1800	2200
Max. width of roll	1500 mm	1800 mm	2200 mm
Floor space	240 x 120 cm	270 x 120 cm	310 x 130 cm
Net weight	860 kg	980 kg	1120 kg