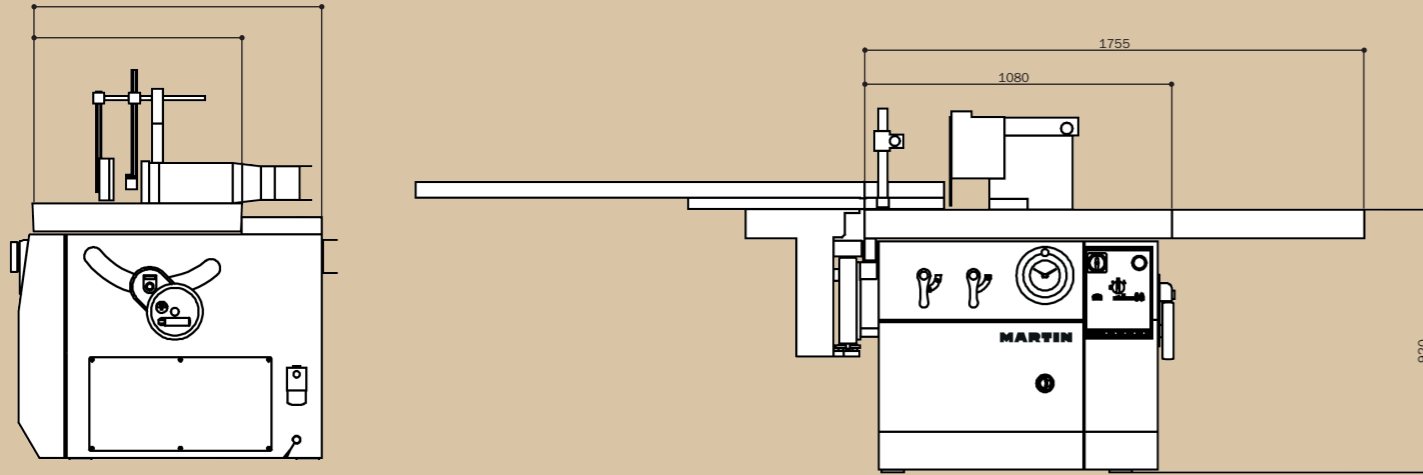


Technical Data



	TS200
Table dimension	1100 x 750 mm (45.3" x 29.5")
Tilting range of the spindle	-45° - +45°
Clamping length of the spindle (30 - 35 mm dia.)	140 mm (5.5")
Clamping length of the spindle (40 - 50 mm dia.)	180 mm (7.1")
Tool diameter max.	250 mm (9,8") / 350 mm (13,8") with option TS200030
Rotational speeds	1.500 / 3.000 / 4.300 / 6.000 / 9.000 rpm
Table opening	115 - 170 - 220 - 270 mm (4.5" - 6.7" - 8.7" - 10.6")
Motor rating	4 kW (5,5 HP)
Weight	590 kg (1298 lbs)

Dimensions and specifications are subject to technical innovations and change without prior notice. Images can differ from the original.



Sägen

Hobeln

Fräsen

MARTIN

Bohren

TS200 Tilting Arbor Shaper

Otto Martin Maschinenbau GmbH & Co. KG
Langenberger Straße 6
87724 Ottobeuren
Deutschland

Tel. +49(0)8332 911-0
Fax +49(0)8332 911-180
sales@martin.info
www.martin.info

Tilting Arbor Spindle Moulder TS200

The TS200 tilting arbor spindle moulder may have a small footprint but with a 2 x 45° tilting range, it offers a lot for today's woodworker..

Tilting gives the operator a whole range of new possibilities on how to machine a workpiece. When the arbor is tilted back, the operator can securely machine a workpiece from below, which is an essential step towards

more flexibility and safety. The cutting height as well as the tilting angle is adjusted via handwheel according to a digital display or scale. The operational elements are easily accessible so the cutting height as well as the cutting angle can be adjusted quickly. The cutting depth is adjusted at the fence. The basic machine is equipped with a powerful 4 KW motor, the rotational speeds of the

spindle range between 1,500 and 9,000 rpm and can be changed via a belt change. With the optional inverter drive, the variable rotational speed ranges from 3,000 to 9,000 rpm. The cast iron work table safely supports your workpiece. If larger workpieces have to be machined, the TS200 can be ordered with optional table extensions. For simple tenoning jobs, a table-mounted sliding table is

available; for massive tenons a sturdy machine-mounted sliding table offers the woodworker flexibility only found on larger, more expensive machines. Simply put, the TS200 is a heavy duty machine designed to give you years of trouble free performance.



TS200 Basic Equipment



TS200 with accessory TS200030

Tooling change within seconds (Option TS200050)

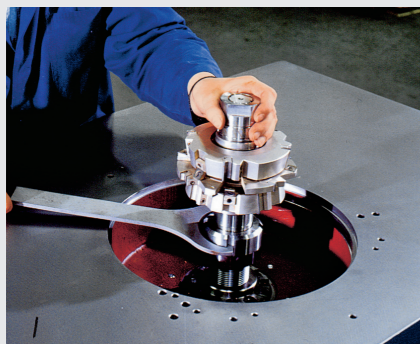
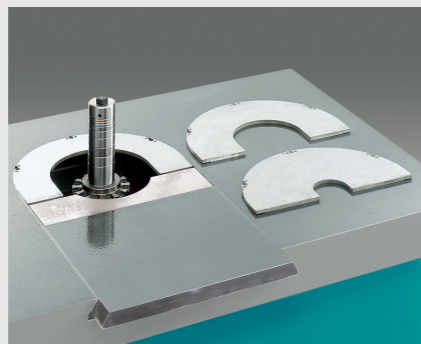


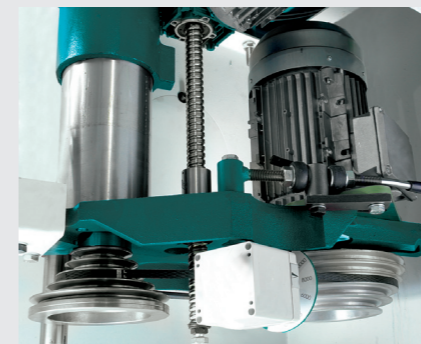
Table opening infinitely variable (Option TS200123)



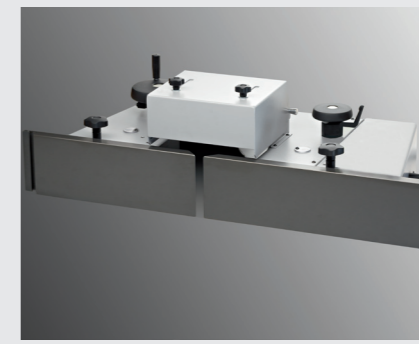
With the guard for curved moulding operations, curved workpieces can be machined safely



5 rotational speed rates makes sure that the cutting speed is always optimal for the job at hand



Sturdy fence for precise moulding results (Option TS200028)



The perfect solution for easy mortising and tenoning jobs (Option TS200033)

