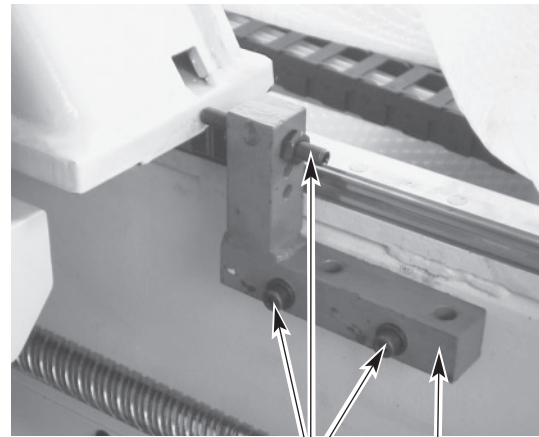
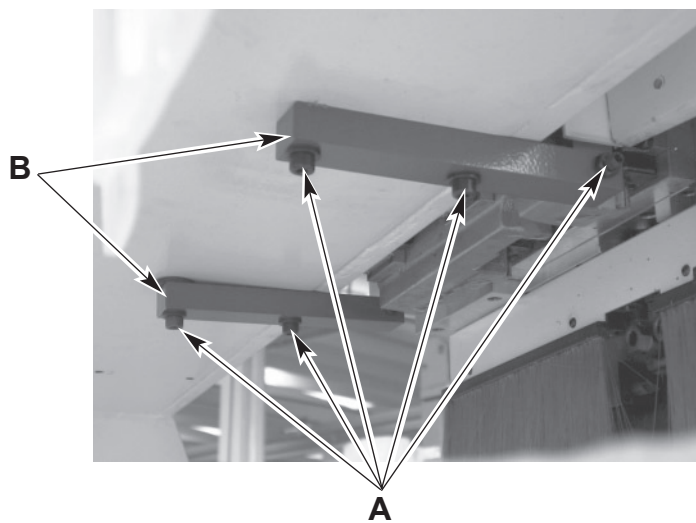


A B A



A B



A

Fig. 4.07
Abb.

4.07 ASSEMBLING AND DISASSEMBLING MACHINE LOCKING BRACKETS



WARNING

Always make use of personal protections means as prescribed by the local safety rules in force.

During machine transport and motion it is necessary to lock the working units and to prevent them from colliding with other machines parts or from throwing the machine off balance during its motion.



PRUDENCE

Do never perform any operation unless you have removed any and all the locking brackets fitted on the machine, that are coloured in RED to make their identification easier.

To do this proceed as follows:

- Loosen the screws A.
- Remove the locking brackets B.
- Proceed in the reverse order to assemble the locking brackets again.



WARNING

There is risk of being entangled, crushed, hit or to suffer abrasions if these operations are disregarded or misexecuted.