

ROBOSTART M

Automatic Spraying Robot for Panels

🎯 Painting 🤖 Robot



PANEL

makor

PROUDLY MADE IN ITALY

ROBOSTART M

Automatic Spraying Robot for Panels Easy to Use



Very high quality, minimum investment

- Flexibility, reliability, easy to use, combined with limited running costs and affordable investment make ROBOSTART the ideal machine for replacing the manual spraying of products.
- The machine is specifically designed for flexible working of small and medium production batches, ensuring high quality result.

Uniformity of application and consistent quality, Possibility to apply on edges a product quantity independently from the quantity applied on the flat side, Work environment clean and healthy, increased productivity, saving of paints, high quality also on the edges.

Intuitive touch screen control system that can be connected to the factory net and activate remote assistance. Transport with jigs covered with paper.

Fluent and precise spraying

- ✓ High quality of painting, thanks to the robotic head.
- ✓ Suitable for low volumes and just-in-time production
- ✓ Minimum overall dimensions, to be placed inside a pressurized cabin.
- ✓ Automatic painting system on shuttle “jig covered by paper”
- ✓ Automatic handling from and to the trolley through the loader-unloader LIFT.
- ✓ Various varnishing modes
- ✓ 2-liter paint tank for small refinishing
- ✓ Double filtering stage



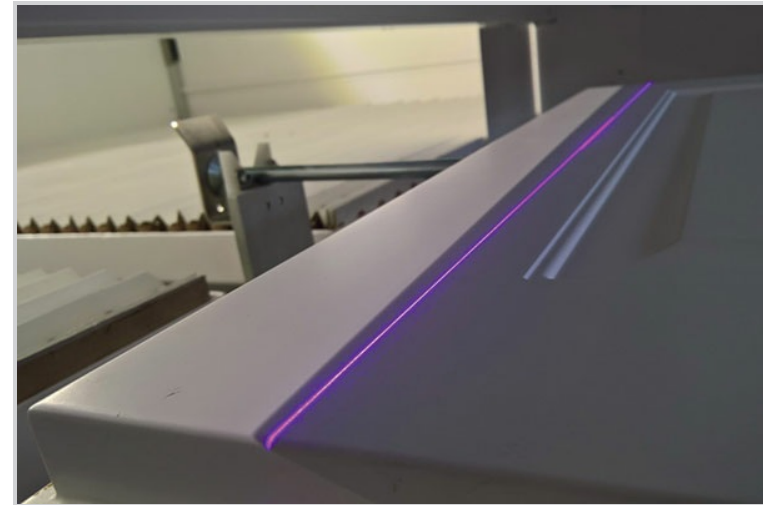
ROBOTIZED SPRAYING

-
-
- Robotized spraying head available in high and low pressure, provided with quick release system in the standard version
- Version with 3 guns: 2 for flat, 1 for edge
- Version with 5 guns: 4 for flat, 2 for edge
- 2- liter tank for small touch-up is available
-
-



TOUCH-SCREEN

Touch-screen operator panel with controls, easy and intuitive



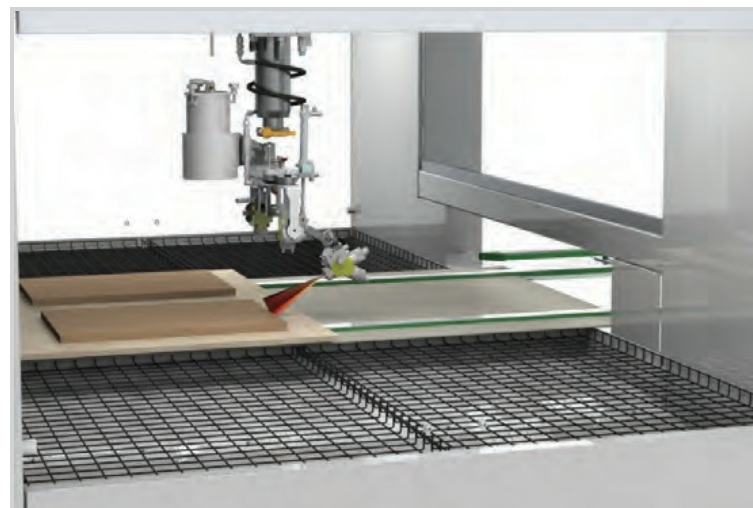
LASER READERS

Special laser readers detect 3D piece shapes, raised parts included. For accurate coating on every side of the door.

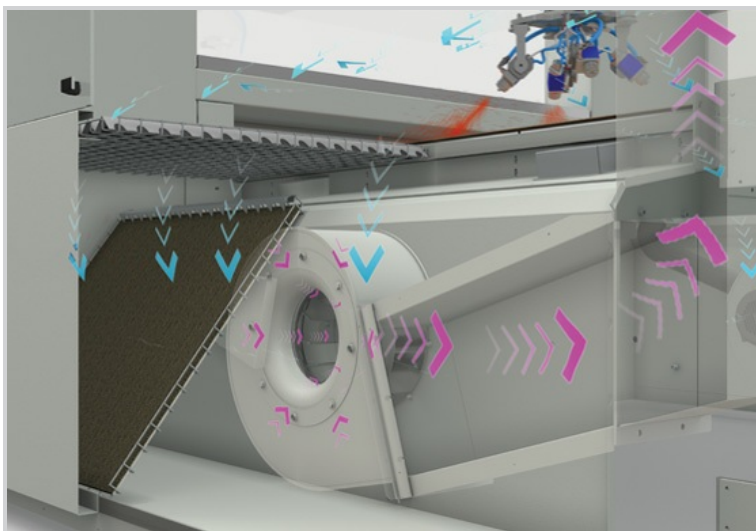


SPRAYING BOOTH

Wide spraying booth, glazed on three sides



ROBOTIZED SPRAYING HEAD



DOUBLE FILTERING STAGE

Double suction filters, with wide filtering surface of 6 square meters, ensure long working autonomy



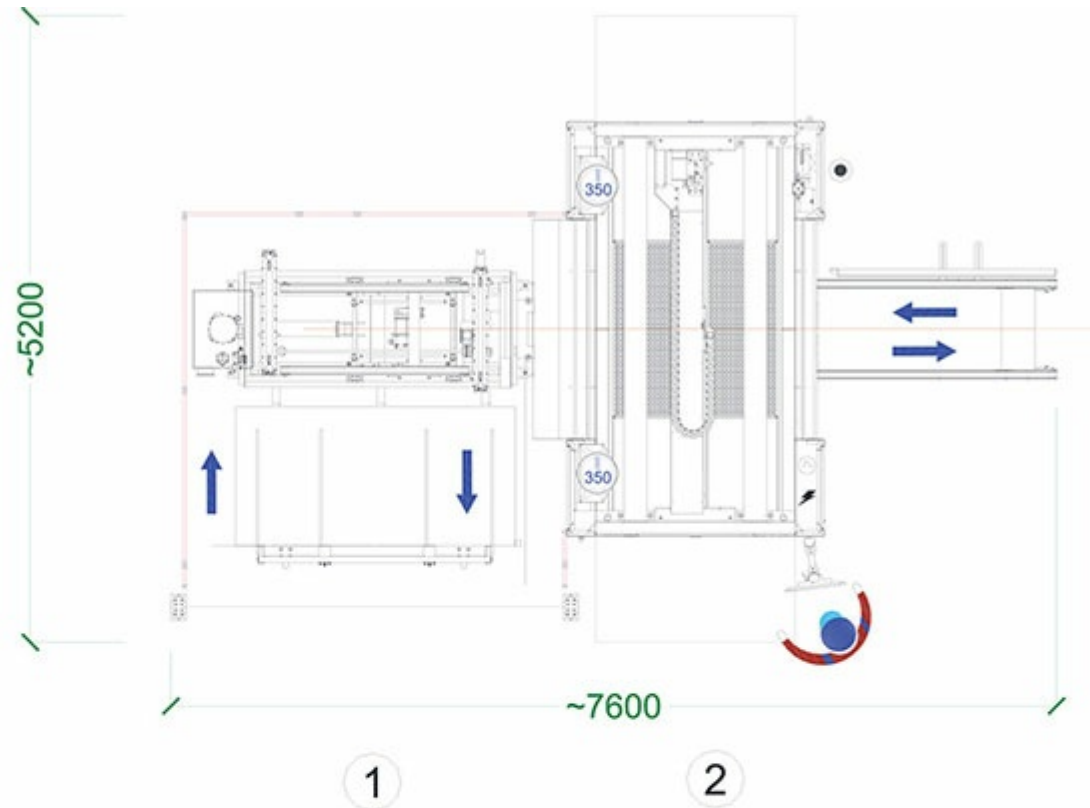
LIFT

Lift, automatic trolley loader and unloader. Thanks to its particular parallelogram design, it ensures the automatic handling in compact spaces



TELESCOPIC ARMS

Telescopic arms automatically transfer the jigs from the machine to the cart and vice versa



Technical Data ROBOSTART M

		Length	Width	Height
Maximum Jig Size	mm.	4000 2500	1200	25
Dimension Maximum workable	mm.	3800 2200	1100	80

Installed Total Power:	Kw	10.0
Feeding Speed:	m/min	Min. 1 Max. 60

The machine must be located inside a pressurized booth
La macchina deve stare all'interno di una cabina pressurizzata

ROBOSTART M

Makor Srl

Via Casalpiano, 9
53048 Sinalunga
Siena
Italy

(+39) 0577 634011
makor@makor.it



<https://makordev.swa-creative.com/staging/en/product/robo-start-m/>