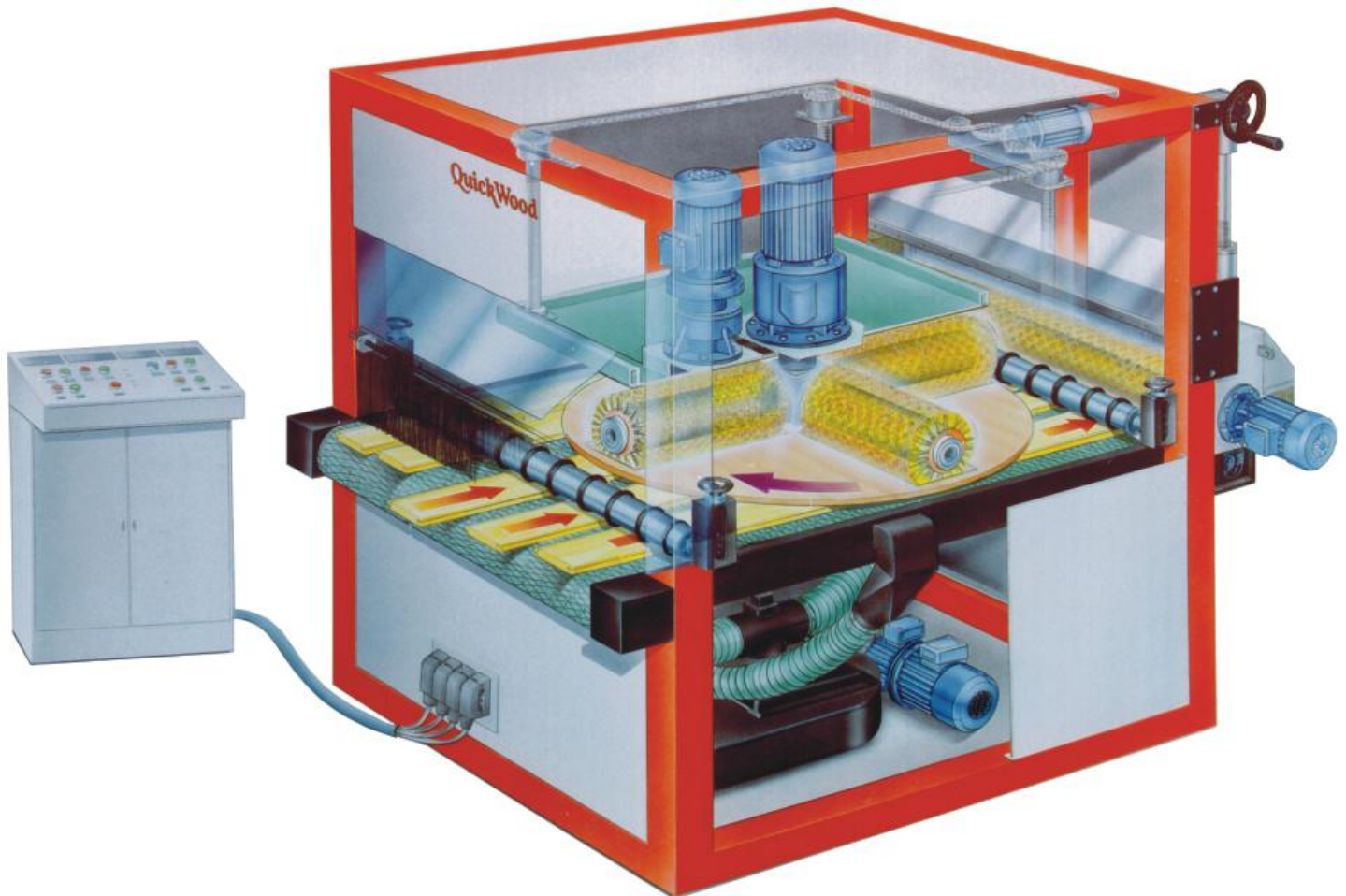


QuickWood System

Compact Single Head Finishing Sander

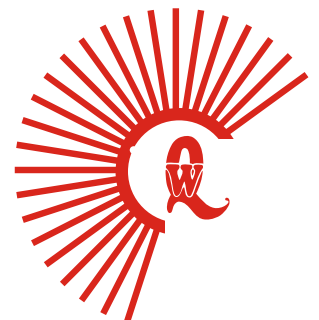
Model RO-I-1300



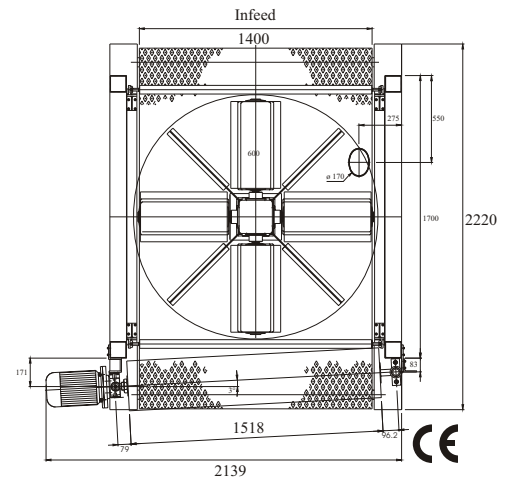
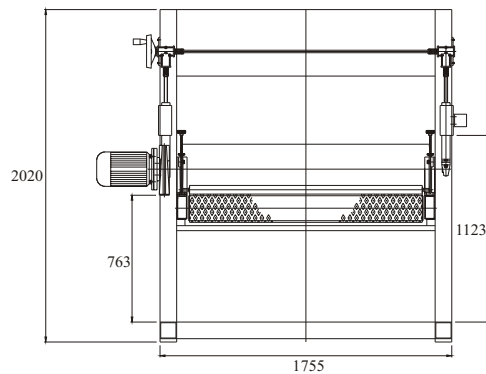
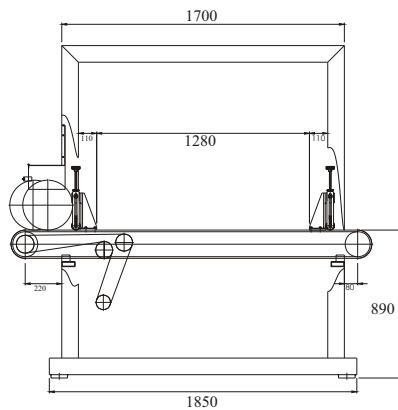
Compact Finishing Sander at a Compact Price

- Sanding of raw wood - white wood - sealer - structure brushing.
- Hexagonal shafts for direct power transfer.
- Removable shafts for quicker tool change.
- Oscillating tools as Quick-Discs - QN + QD.
- Prepared for all QuickWood's sanding tools.
- For finish sanding of louver - shutters - raised panel doors - frames.
- For sanding/finishing of Hard wood - Softwood - MDF - Veneer - Plywood.
- All speeds adjustable.
- Conveyor belt as wide - wide with vacuum - dual adjustable.
- Electric adjustment of dual belt width and height as option.

QuickWood



Technical Specifications



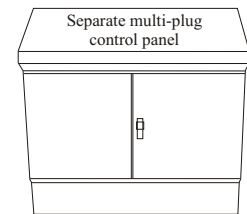
Model RO-I

1300

Dimensions of workpiece:

Height max, mm	100
Width max, mm	1250
Length	infinite

Throughfeed, m/min.	5 - 30
Rotation speed, m/min.	5 - 50
Spindle speed, l rpm	350-1150
Spindle length, mm	4 x 500
Horizontal spindle, mm	1300
Number of spindles	4 + 1
Diameter of tools max, mm	350
Main motor, kW	3
Rotation motor, kW	0,75
Conveyor motor, kW (standard)	0,75
Conveyor motor, kW (vacuum)	1,1
Vacuum pump, kW	11
Horizontal spindle, kW	2,2
Exhaust duct, vacuum pump, mm	ø 170
Exhaust volume, m ³ /h	3000
Dimensions of the machine, mm (LxWxH)	2220 x 1750 x 2020
Dimensions of control panel, mm (LxWxH)	800 x 600 x 1200
Net weight, kg	appr. 1600



QuickWood

QuickWood Esperia s.r.l.

Via delle Industrie 38/2a - Z.I.U.
33050 Pavia di Udine (UD) - I

☎ +39 0 432 655285 r.a.
FAX +39 0 432 655284



qw@quickwood.it
<http://www.quickwood.it>

