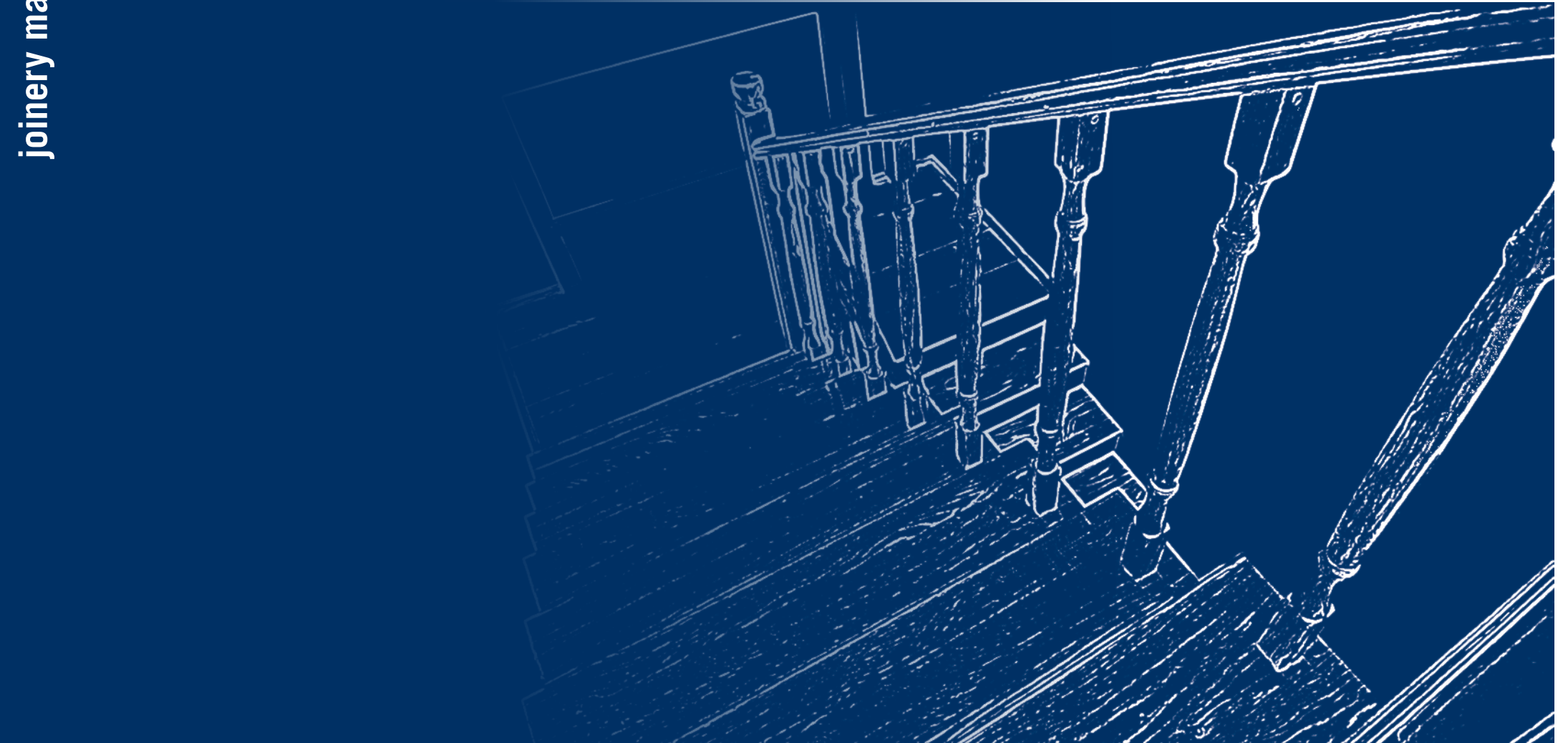


minimax t 124

woodturning lathe



All “Made in SCM Italy”

From casting iron to finished product.

Come see our production plants and touch the quality of SCM machines;
you will be our guest.





minimax

the passion that deserves professional products.

minimax is the line of professional machines for hobbyists and woodworkers, a point of reference for over 40 years worldwide.

SCM's objective is to guarantee customers high quality technologies which meet their requirements in such a way as to make SCM the partner for any needs.

minimax t 124

Total safety machining.

Woodturning lathe, for demanding DIY woodworkers and craftsmen, fast, cost-effective, easy-to-use, reliable.

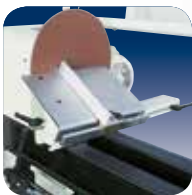
woodturning lathe t 124



		t 124
Distance between centers	mm	1150
Centers height	mm	200
4 spindle speeds (at 50 Hz)	rpm	570 / 1000 / 1850 / 2500
Three-phase motor	kW/Hz	1,5 (1,8) / 50 (60)
<i>Find the complete technical specification at page 7</i>		



Structure
precision and safety



Optional Devices
versatile and complete

Woodturning lathe, for demanding DIY woodworkers and craftsmen, fast, cost-effective, easy-to-use, reliable.

t 124 operating groups and optional devices

versatile and complete

Optional Devices.

Full range of devices to realize your
creativity.

precision and safety

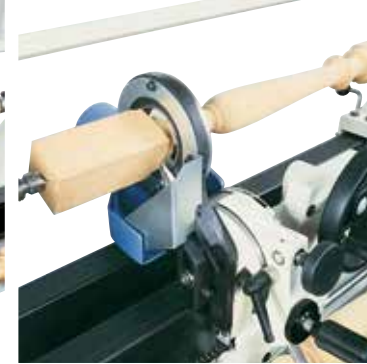
Structure.

Maximum reliability and top precision, with its
strong base, and total safety for the operator,
thanks to the transparent guard.



Copier.

Enables copying work at
diameters greater or smaller
than the template or pattern,
feed by hand-wheel.



Mobile Steady Rest, with
pre-cutting tool to guarantee
perfect finishing.



Fixed Steady Rest, Reduces
vibrations when turning
long, thin components.
The 'C' shape enables
turning with hand tools.



Face Plate 300 mm diameter,
ideal for large bowls.



Cup or Screw Type Drive Benders: 40 mm diameter cup
centre and 70 mm screw centre made from a single-piece of
stainless steel. Necessary for turning small cups and bowls.



A

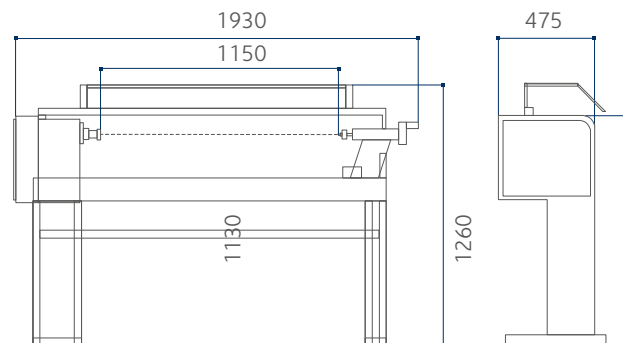


B

A) Sanding Unit,
complete with
adjustable angle
work surface, guide
and sanding disc.

B) Four-jaw Chuck
125 mm diameter,
for the rapid clamping of
squared or circular
components.

t 124 dimensions and technical data



- S Standard
- O Option

		t 124
Distance between centres	mm	1150
Centres height	mm	200
4 chuck speed (at 50 Hz)	rpm	570 / 1000 / 1850 / 2500
Tape drive with morse taper	n.	2
Ball bearing centre with morse taper	n.	2
Face plate diameter	mm	130
Machine equipped with copying device (optional)...		
Max. working length	mm	1120
Max. diameter	mm	200
...and equipped with mobile rest (option):		
Max. working length	mm	1070
Max. diameter	mm	80
Three-phase motor 1,5kW (2hp) 50 Hz - 1,8 kW (2,5 hp) 60 Hz		S
Single-phase motor 1,5kW (2hp) 50 Hz		O

PROMPT AND EXPERT TECHNICAL SUPPORT THROUGH A NETWORK OF 1000 TECHNICIANS AND AN INVENTORY OF 36,000 SPARE PARTS.

HIGHLY SPECIALISED TECHNICIANS, EFFICIENT
MANAGEMENT AND 6 SPARE PARTS BRANCHES
AROUND THE WORLD GUARANTEE A CLOSE,
SAFE AND EFFECTIVE TECHNICAL SUPPORT.

SERVICE

SCM provides a service that goes beyond the purchase, to guarantee the long term performance of your technological production system and peace of mind for your business.

A COMPLETE RANGE OF AFTER-SALES SERVICES

- installation and start-up of machines, cells, lines and systems
- tailored training programs
- telephone support to reduce times and costs when machines are not working
- preventive maintenance programs to guarantee long term performance
- complete renovation of machines and plants to renew the added value of the investments
- custom upgrading to update machines and plants and meet new production requirements



SPARE PARTS

SCM Group can count on 140 spare parts professionals worldwide to meet any request with real time shipments.



36,000 SPARE PARTS

Our spare parts inventory, with a value of 12 million euros, covers every single machine



SPARE PARTS GUARANTEED

We guarantee also hard to find parts, with 3,5 million euros invested in "critical" spare parts.



IMMEDIATE AVAILABILITY

Over 90% of orders received are carried out the same day thanks to the huge inventory available.



6 BRANCHES AROUND THE WORLD

The spare parts service can count on worldwide support (Rimini, Singapore, Shenzhen, Moscow, Atlanta, São Bento do Sul)



500 SHIPMENTS A DAY



THE STRONGEST WOOD TECHNOLOGIES ARE IN OUR DNA

SCM. A HERITAGE OF SKILLS IN A UNIQUE BRAND

Over 65 years of success gives SCM the centre stage in woodworking technology. This heritage results from bringing together the best know-how in machining and systems for wood-based manufacturing. SCM is present all over the world, brought to you by the widest distribution network in the industry.

65 years history

3 main production sites in Italy

300.000 square metres of production space

20.000 machines manufactured per year

90% export

20 foreign branches

400 agents and dealers

500 support technicians

500 registered patents



In SCM's DNA also strength and solidity of a great Group. The SCM Group is a world leader, manufacturing industrial equipment and components for machining the widest range of materials.

SCM GROUP, A HIGHLY SKILLED TEAM EXPERT IN INDUSTRIAL MACHINES AND COMPONENTS

INDUSTRIAL MACHINERY

Stand-alone machines, integrated systems and services dedicated to processing a wide range of materials.



WOODWORKING TECHNOLOGIES



TECHNOLOGIES FOR PROCESSING COMPOSITE MATERIALS, ALUMINIUM, PLASTIC, GLASS, STONE, METAL

INDUSTRIAL COMPONENTS

Technological components for the Group's machines and systems, for those of third-parties and the machinery industry.



SPINDLES AND TECHNOLOGICAL COMPONENTS



ELECTRIC PANELS



METALWORK



CAST IRON



Company of the Scm Group

registered office:

via Emilia, 77
47921 Rimini, Italia
T. +39 0541 700111
F. +39 0541 700232

sales office:

via Casale, 450
47826 Villa Verucchio, Rimini, Italia
T. +39 0541 674111
F. +39 0541 674274
scm@scmgroup.com
www.scmwood.com

Scm Industria Spa

Professional Workshop Machinery

via Valdicella, 7
47892 Gualdicciolo,
Repubblica di San Marino
scm@scmgroup.com

sales dept. Italy:

T. +378 0549 876911
F. +378 0549 999604

foreign sales dept.:

T. +39 0541 674111
F. +39 0541 674274
www.scmwood.com

The motors powers in this catalogue are expressed in S6, except where otherwise specified. In this catalogue, machines are shown in CE configuration and with options. We reserve the right to modify technical specifications without prior notice, provided that such modifications do not affect safety as per CE norms.

rev.00
02/2020

Mic Studio





SCM GROUP SPA

via Casale 450 - 47826 Villa Verucchio, Rimini - Italy
tel. +39 0541 674111 - fax +39 0541 674274
scm@scmgroup.com
www.scmwood.com