

# superset nt

automatic throughfeed moulder



# superset nt

## automatic throughfeed moulder

Superset NT is the ideal machine to produce components for windows, doors, furniture, garden and nautical furniture. It is the effective solution for companies working also per small batches, thanks to its technologically advanced features.

### VERSATILE

Many available compositions, **to customize in every single detail.**

### TECHNOLOGICAL

Electronic axes and control units, **guiding the operator in all set up and programming activities.**

### RELIABLE

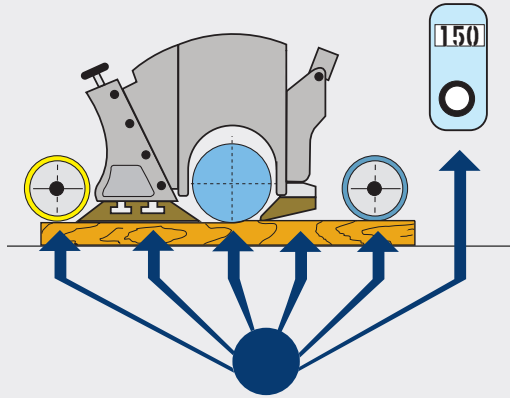
High production standards guarantee **an intensive use, even on multiple shifts per day.**





# superset nt

technological advantages



## INCREASED PRODUCTIVITY

The **SET-UP system** allows the operator to change tools and perform adjustments in just a few seconds, making set-up time up to twenty times faster.



## HIGH VARIETY OF PROFILES

The **HSK technology** allows downtimes reduction and finishing quality improvement, with the best ergonomics for the operator.



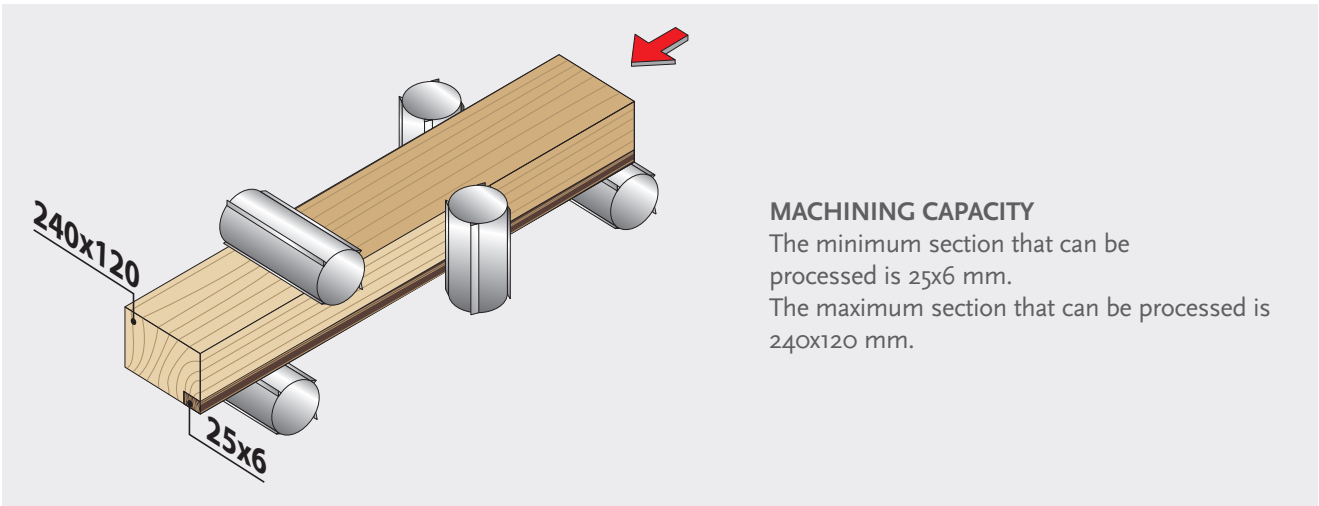
## EASE OF USE

The new electronic control **MOBILE PC** provided with **MAESTRO 4-SIDE** software, makes machine programming intuitive. Clear and precise information are always available, thanks to detailed reports.



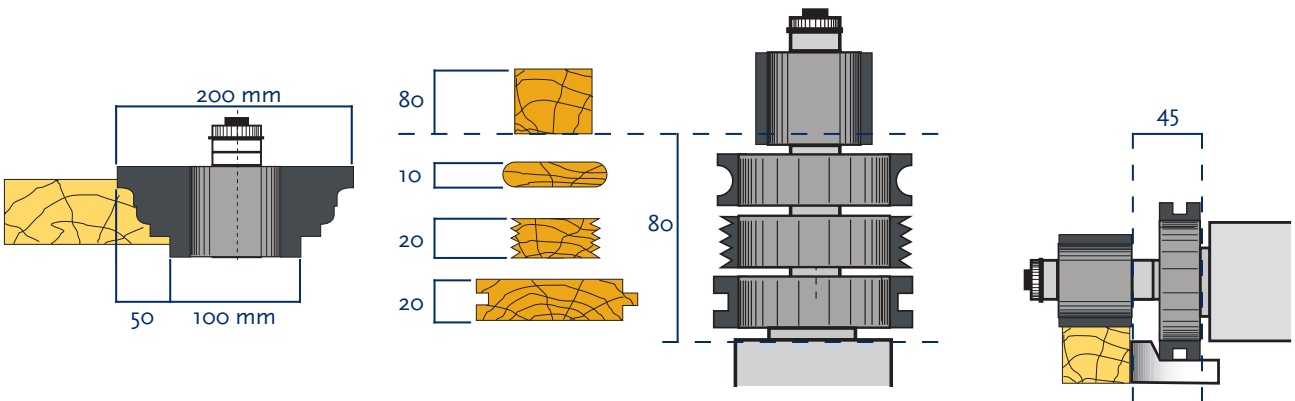
# superset nt

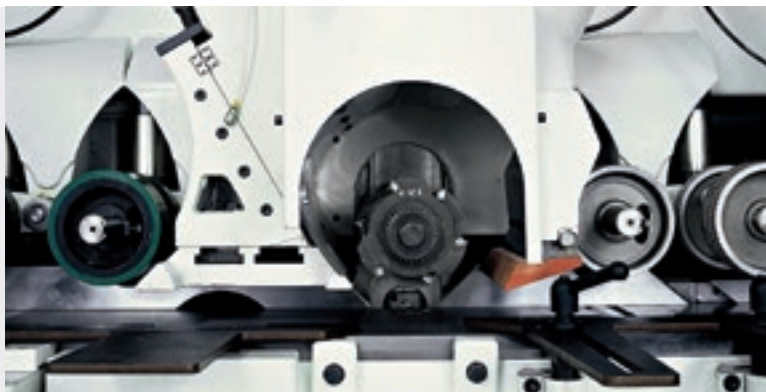
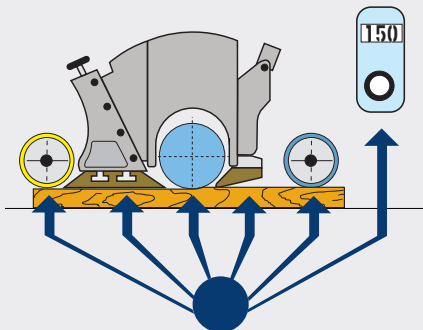
standard equipment



## PERFORMANCES

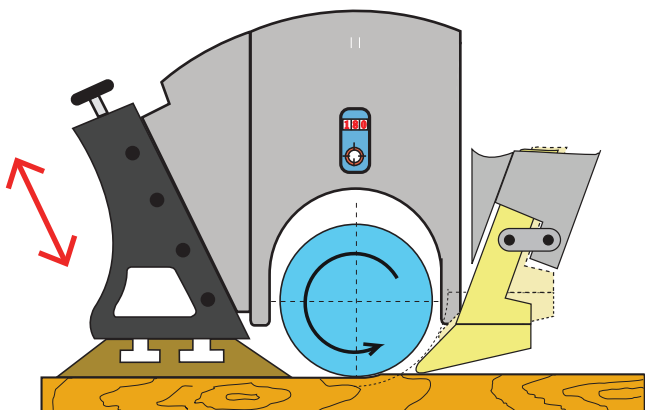
Machining units for **heavy duty stock removal**, up to 50 mm, and axial strokes of 80 mm on vertical spindles and 45 mm on horizontal spindles, ensuring flexibility and variety of achievable products.





**SET UP**

The SET-UP system allows to reduce downtimes and eliminate the possibility of errors. At every tool change corresponds only one adjustment.

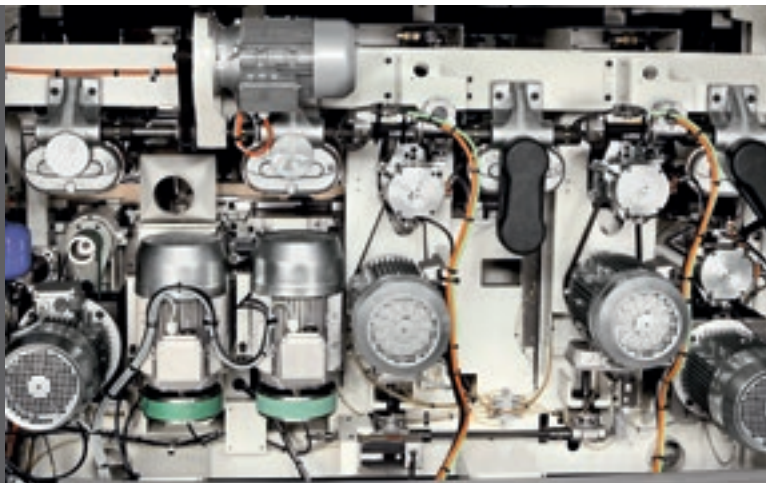


**PRESSER SHOES**

Front and rear presser shoes with **tilting movement** are fitted to the upper horizontal units to guarantee that the work pieces are pressed correctly and blockages or lifting avoided. The front presser shoe is provided also with **pneumatic adjustment**.

**INDEPENDENT MOTORS**

Each machining unit has its own motor, so it is possible to select the optimal power for each one.



# superset nt

options



## T-SET DEVICE

Due to the use of a compressed air gun, supplied with the machine, tool locking is even simpler and faster.



## SPINDLES WITH HSK TOOL CHUCK

The technology with quick release toolholder permits to reduce downtimes and improve the quality of the finished product, with maximum ergonomics for the operator.



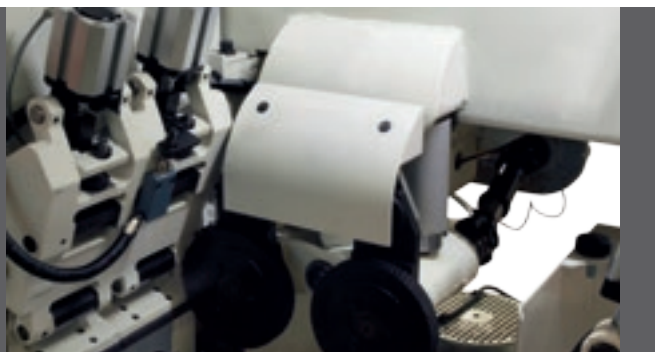


#### TANDEM UNIT

Possibility to reduce the axial distances between the wheels and improve the pressing system, in correspondence to the machining area.

#### TELESCOPIC WHEELS

Placed in front of the left vertical spindle with electronic adjustment and 75 mm stroke, for optimal towing of any work piece width.



#### AIR BLOWER

Device, consisting of 4 rows of holes, which create an air cushion on the worktable, for the perfect sliding and an excellent finishing of the work piece. Each row of holes is activated as a function of the work piece width.

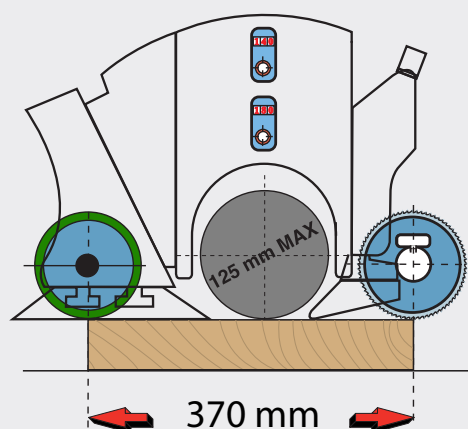
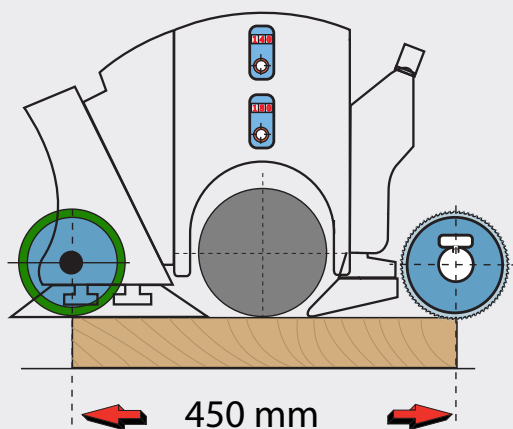


#### GROOVED WORKTABLE

Grooved worktable specific for short or badly trimmed work pieces, equipped with an integrated guiding system.

# superset nt

options



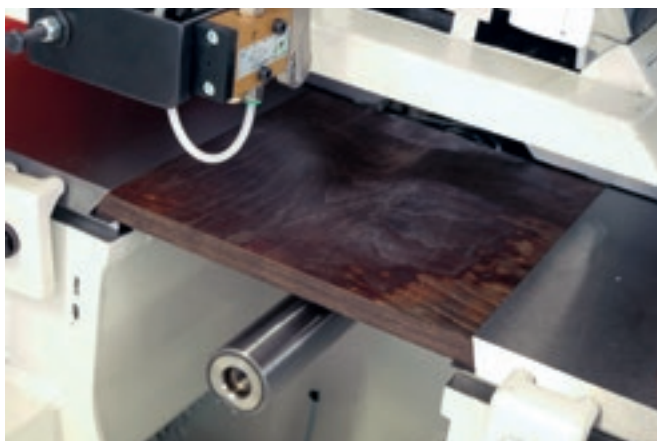
## SINGLE PIECE MACHINING

In the standard configuration, the machine can process a work piece of 620 mm; with specific options it is possible to reduce the piece length to 450 or 370 mm.



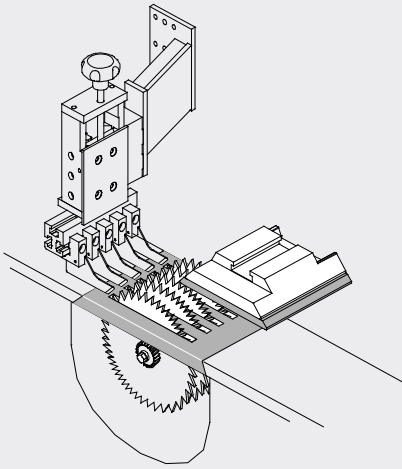
## TWO SECTOR-PRESSER SHOE

Presser shoe made in two parts with adjustment in height and width, ensuring a uniform thrust on the work pieces with different thicknesses.



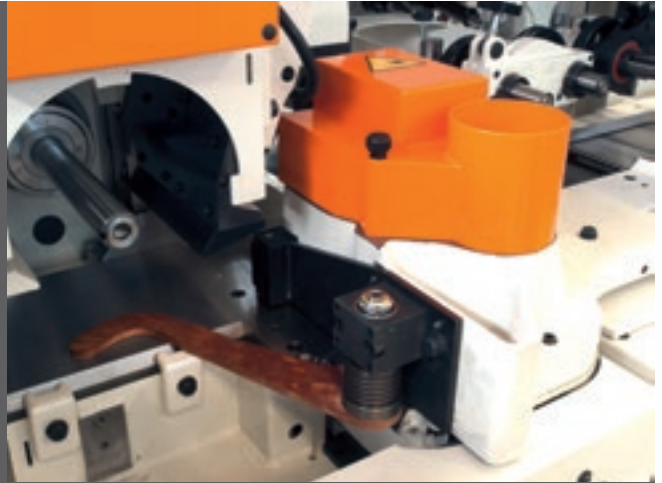
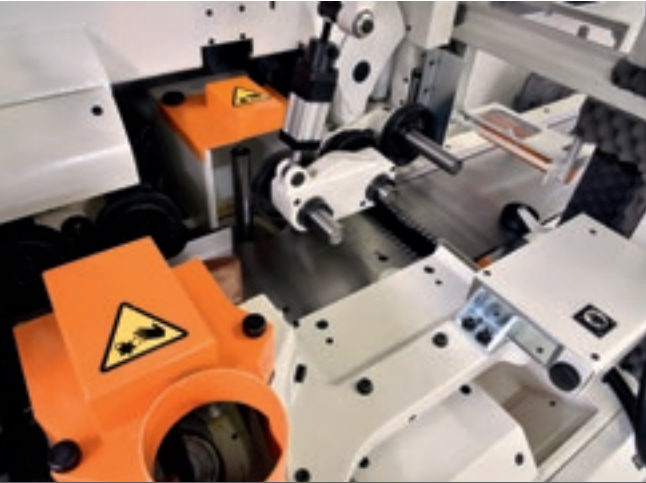
## REXILON WORKTABLE

Placed in correspondence of the lower horizontal spindle, it enables profiling up to 50 mm, ensuring the worktable continuity.



**MULTI-BLADE CUTTING**

Equipment for vertical cutting of work pieces with lower horizontal spindle; it is possible to execute up to 5 cuts.

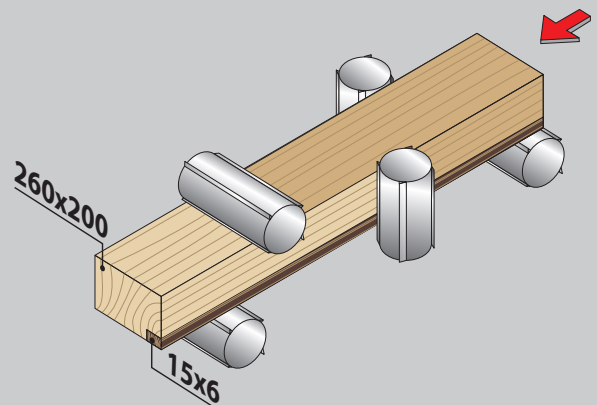


**“TTL” ADJUSTMENT DEVICE**

It allows to process sequences of work pieces with different widths, without stopping the machine to reset different measurements, for a high saving of time. A touch probe placed infeed and a special fence out-feed at the left vertical spindle, ensure a correct pressure.

**MACHINING CAPACITY**

Specific options allow to modify the machining sections. The minimum section that can be processed is 15x6 mm and the maximum section is 260x220 mm. .

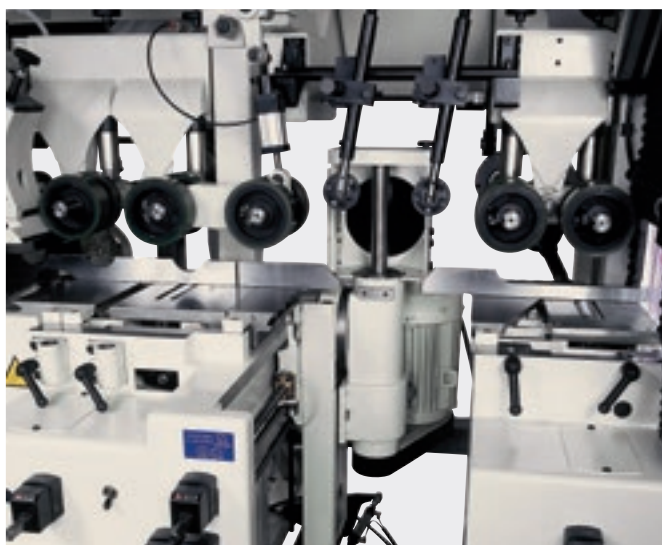


# superset nt

special machining units

## CORNER CHAMFERING UNIT

Supplementary machining unit placed after last upper horizontal spindle, enabling corner chamfering of work pieces with variable dimensions, without the necessity of tool change.



## UNIVERSAL SPINDLE

360° adjustable machining unit designed to reach all work positions and guarantee further machine flexibility. A command on the front of the machine is used to lock it in position.



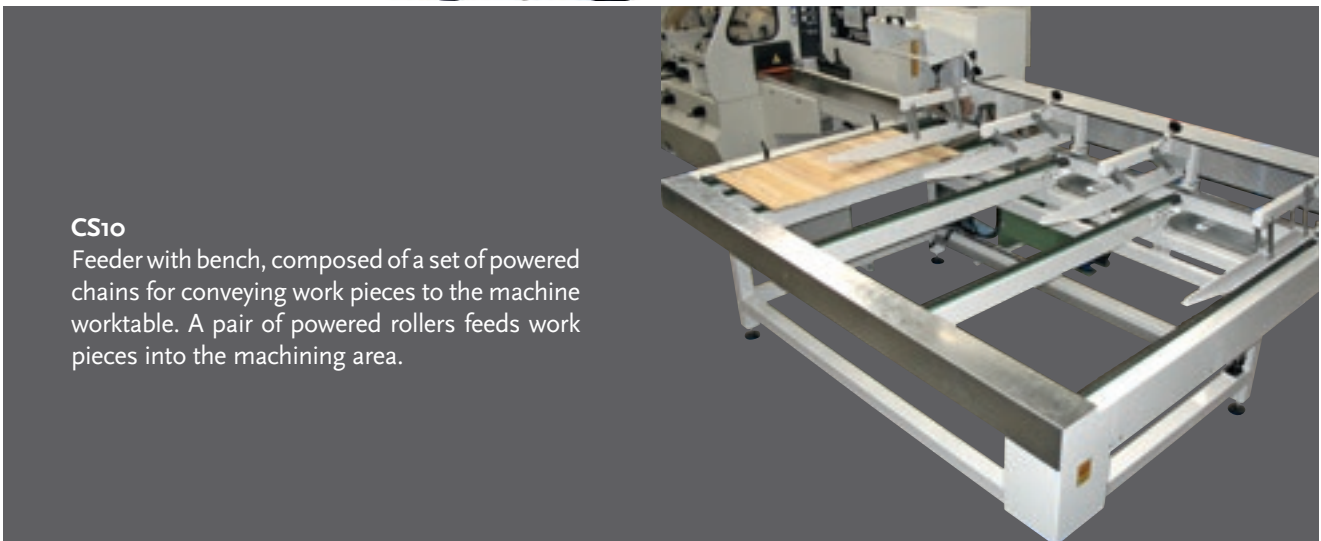
## PRL ARRANGEMENT

Machining unit in place of universal spindle enabling the automatic switching from planing to profiling - glazing bead recovering function. It is provided with pneumatic horizontal on-off and the right vertical spindle with pneumatic vertical on-off.

## work piece feeders and return systems



**CS1**  
Hopper feeder provided with a pusher. A serrated roller, driven by an hydraulic device, feeds work pieces continuously.



**CS10**  
Feeder with bench, composed of a set of powered chains for conveying work pieces to the machine worktable. A pair of powered rollers feeds work pieces into the machining area.



Work piece return system to the operator.

# superset nt

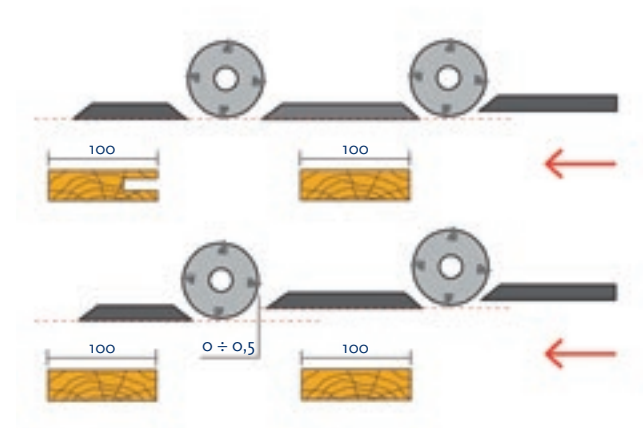
new machine compositions: 32 and 32U



Also on the Superset NT range is available the **2nd right vertical spindle** in the compositions with two upper horizontal spindles, with and without the universal spindle.



Possibility to supply 2 rollers on the worktable, before and after the 1st upper horizontal spindle, for a uniform feeding of the workpiece in the machine.



Pneumatic horizontal positioning on/off by means of switch of the first right vertical spindle and the fence between the right vertical spindles, in order to execute partial or complete profiles on the second right spindle.

**new generation of electronic control units: CONTROL 10**



**CONTROL 10**

The new electronic control unit includes:

- 7" colour touch screen monitor
- programming by **menu with icons**
- **customization of layouts/options**, specific to each machine composition
- management of up to 8 electronic axes
- pre-arrangement for tele-service and **input/output display**
- **backup** for data saving and restoring
- storage of 999 programs
- storage of 999 tools



# superset nt

new generation of electronic control units: **MOBILE PC**

## MOBILE PC

The new electronic control unit **MOBILE PC** has the **MAESTRO 4-SIDE** software for an intuitive programming of the machine.

It is equipped with a **PC with a 19" touch screen monitor** mounted on a mobile unit.



### Main functions of the MAESTRO 4-SIDE software:

- **customization of layouts/options**, specific to each machine composition
- tool library without number limits, with **import of profile image**
- work programs without number limits, with **import of profile image**
- MDI function, Memory Data Input, for guided manual adjustment of axes
- management of axes with electronic adjustment, speed of towing, power on/off of motors, spindle rotation speed (if the inverter is included)
- Tele-service and **input/output display**
- **detailed reporting** on the machine use
- **different levels of access**, operator and administrator.



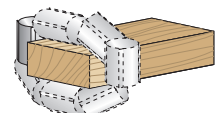
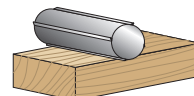
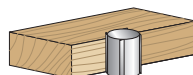
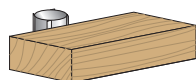
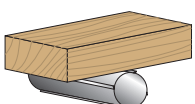
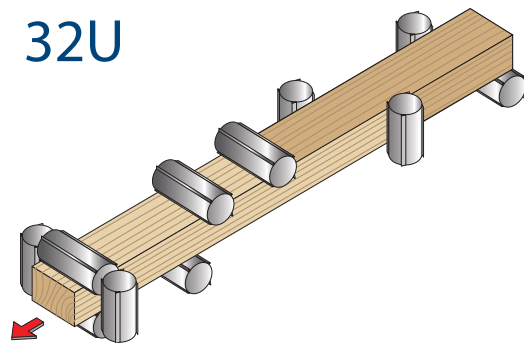
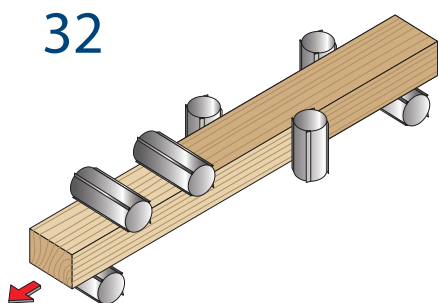
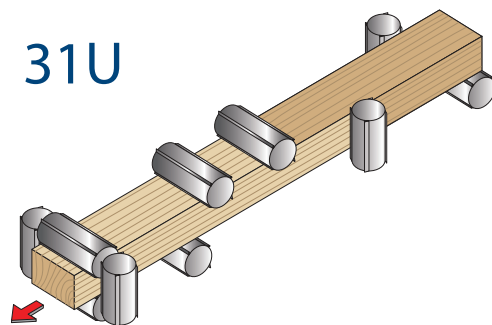
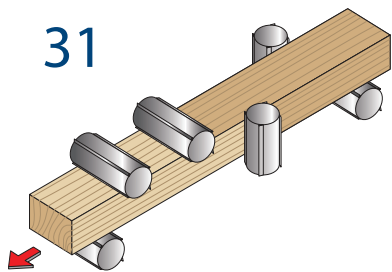
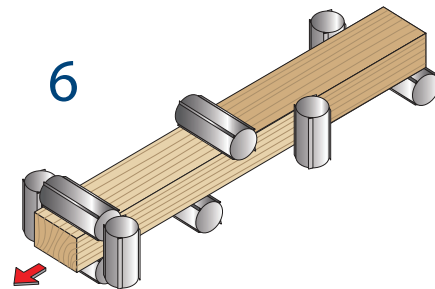
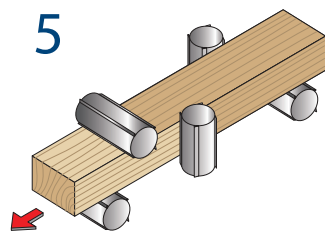
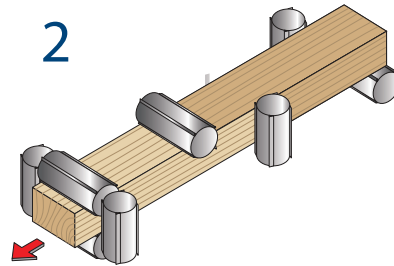
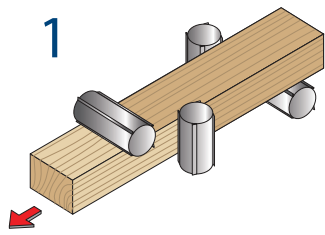
## PRESET 50

Instrument for measuring min/max tool diameter and tools axial position.

Thanks to "GT SOFT" software, included in the machine control, it is possible to elaborate the data and update the machine tool charts directly.



# machine compositions



LOWER HORIZONTAL SPINDLE

RIGHT VERTICAL SPINDLE

LEFT VERTICAL SPINDLE

UPPER HORIZONTAL SPINDLE

UNIVERSAL SPINDLE

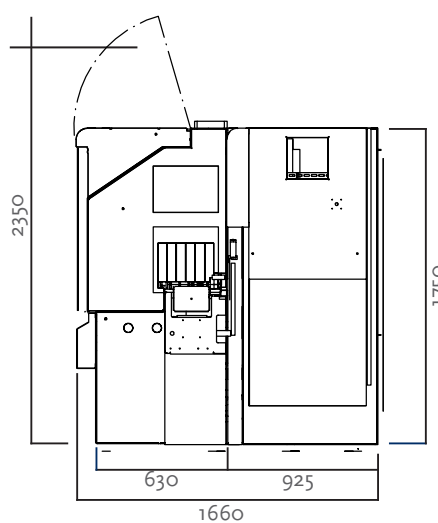
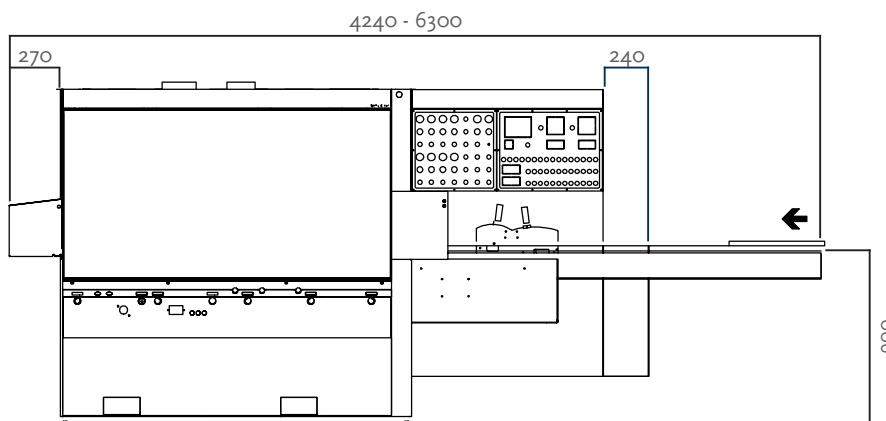
# superset nt

## technical specifications

### SUPERSET NT

### technical data

Minimum working width (finished section)	mm	25 (15 opt)
Maximum working width (finished section)	mm	240 (260 opt)
Minimum working thickness (finished section)	mm	6
Maximum working thickness (finished section)	mm	120 (200 opt)
Feed speed	m/min	5 ÷ 25 (6-36 opt)
Motor power	HP (kW)	5,5 (4) (up to 18,5 kW opt)
Spindle rotation speed	rpm	6000 (8300 opt)
Toolholder spindle diameter	mm	40(50 opt)
Axial adjustment of vertical spindles from worktable	mm	80 (75 opt with HSK)
Axial adjustment of horizontal spindles from right guide	mm	45
Min/Max profiling tool diameter	mm	100/200



The technical data may change based on the chosen composition. For illustration purposes certain photos show the machines complete with accessories. The technical data may be subject to changes without notice, the changes do not influence the safety required by the EC standards.

Maximum noise levels measured according to the operating conditions established by ISO 7960 - 1995 / H. Acoustic pressure in process 85 dbA (measured according to EN ISO 11202:1995, uncertainty K = 4 dB). Acoustic power in process 101 dbA (measured according to EN ISO 3746: 1995, uncertainty K = 4 dB). Even if there is a correlation between above mentioned "conventional" noise emission values and average levels of personal exposure over eight hours of operators, these last also depend on the real operating conditions, duration of exposure, acoustic conditions of the working environment and presence of further noise sources, this means the number of machines and other adjacent processes.

# THE STRONGEST WOOD TECHNOLOGIES ARE IN OUR DNA

## SCM. A HERITAGE OF SKILLS IN A UNIQUE BRAND

Over 65 years of success gives SCM the centre stage in woodworking technology. This heritage results from bringing together the best know-how in machining and systems for wood-based manufacturing. SCM is present all over the world, brought to you by the widest distribution network in the industry.

**65** years history

**3** main production sites in Italy

**300.000** square metres of production space

**17.000** machines manufactured per year

**90%** export

**20** foreign branches

**350** agents and dealers

**500** support technicians

**500** registered patents

In SCM's DNA also strength and solidity of a great Group. The SCM Group is a world leader, manufacturing industrial equipment and components for machining the widest range of materials.

## SCM GROUP, A HIGHLY SKILLED TEAM EXPERT IN INDUSTRIAL MACHINES AND COMPONENTS

### INDUSTRIAL MACHINERY

Stand-alone machines, integrated systems and services dedicated to processing a wide range of materials.



WOODWORKING TECHNOLOGIES



TECHNOLOGIES FOR PROCESSING  
COMPOSITE MATERIALS, ALUMINIUM,  
PLASTIC, GLASS, STONE, METAL

### INDUSTRIAL COMPONENTS

Technological components for the Group's machines and systems, for those of third-parties and the machinery industry.



SPINDLES AND  
TECHNOLOGICAL COMPONENTS



ELECTRIC PANELS



METALWORK



CAST IRON



*is more*



**SCM GROUP SPA**

via Casale 450 - 47826 Villa Verucchio, Rimini - Italy  
tel. +39 0541 674111 - fax +39 0541 674274  
housing@scmgroup.com  
www.scmwood.com



00L0372849C