

SMARTGLOSS guarantees both a high productivity compared to the existing technologies and an optimum glossing on any type of application.

Machine particularly suitable to polish white, black or pastel lacquered panels.

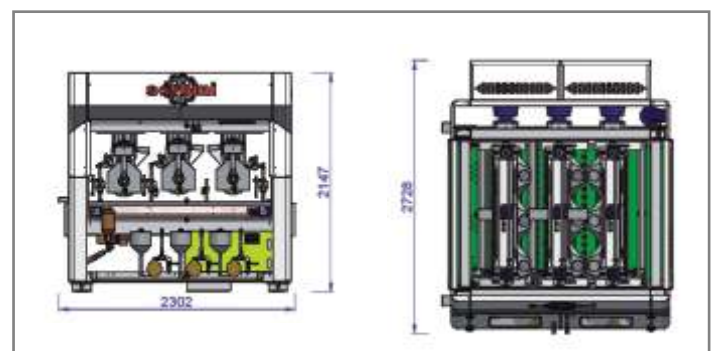
All functions are driven from the control board with touch-screen display.

Sound and dust proof execution with modern design.



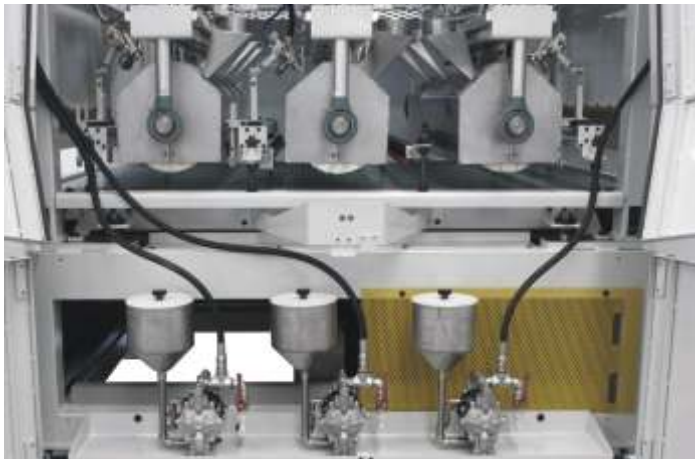
PLUS + BENEFIT

- Three cotton brushes with adjustable speed, removable for an easy maintenance.
- Oscillation driven by independent inverter on each brush.
- Independent electronic lifting on each brush.
- Spray gun fed by membrane pump with tank to spread the polishing paste on the whole working width.
- Conveying speed adjustment by inverters.
- Vacuum belt equipped with cleaning system by brush.



TECHNICAL DATA

- Working speed 0.5-5 m/min. 30-300m²/h
- Working thickness 3-70 mm
- Conveying motor 1.1 kW
- Brushes diameter min 250 mm – max 300 mm
- Brushes rotation speed 200-1000'
- Brushes motor 3 kW
- Brushes oscillation speed 5-40'
- Panels cross dimension 100-1300 mm
- Panels minimum length 300 mm



Pursuing the constant improvement of its production range, the manufacturer reserves the right of modifying its products without notice. Additionally, the information, the technical specifications, the drawings and the pictures shown in this brochure serve just as an indication and are not binding for the manufacturer who expressly reserves the right of changing this brochure without notice.