

satos eco

Sander for Top Surfaces



Focus on Performance

steinemann



The successful combination of great expertise and practical focus.



Ever since Steinemann Technology has been producing sanding systems, wood panel manufacturers from all over the world rely on Steinemann's outstanding expertise and globally committed network. The company plays a pioneering role in developing wide belt sanding machines designed for the specific needs of different panel substrates. Concentrating on forward-thinking developments, Steinemann creates machines that are equipped with everything from basic standards to options with full automation. The driving force behind this is clear to see: the sanders provide finest quality, meeting the customer's specifications.

The knowledge gained in this way makes it possible to offer more targeted, customised solutions. The Satos_{eco} is the successful combination of Steinemann's long-standing expertise with an application-oriented focus: the machine consists of the most efficient features from the Steinemann series, such as robust design, simple control and easy accessibility. Particularly designed for particle boards or MDF applications, its modular principle makes this wide belt sander easy to integrate in any sanding line.

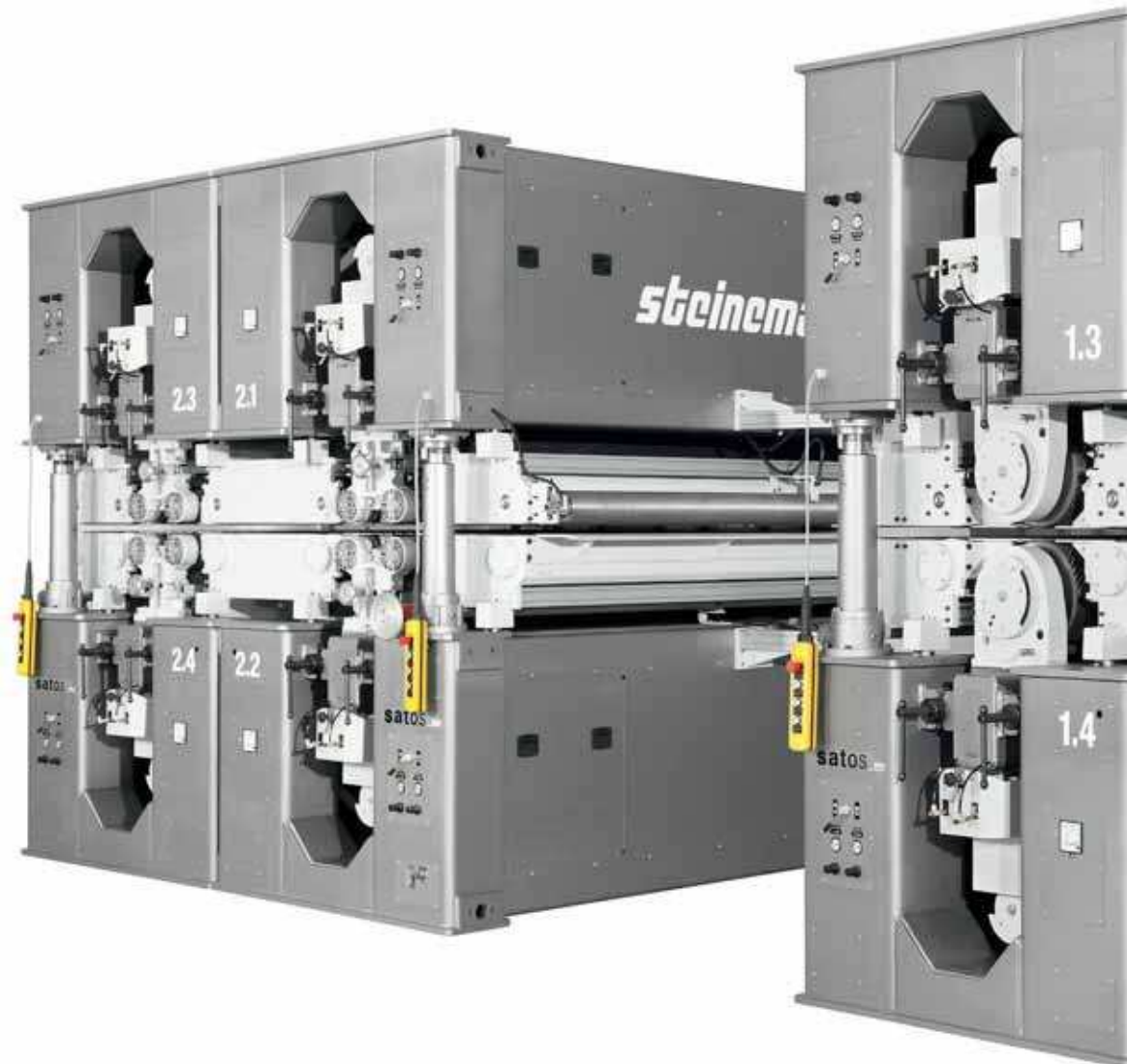
Equipped with Swiss-made drums, the Satos_{eco} enables precise thickness tolerances. These first-class drums with high-quality bearings guarantee accuracy and stability at a production speed of up to 80 meters per minute.

At a glance

Features and customer benefits of the Arctech® contact drum:

- ▷ surface hardness > 400 HV
- ▷ high resistance to wear and good corrosion resistance
- ▷ no thermal change of the coated drum surface
- ▷ high dimensional accuracy
- ▷ enhanced machine productivity
- ▷ longer roller life compared to standard steel drums

Satos_{eco} KK GG



Touch panel

Touch screen panel with status display of all important functions for easy operation.



SprintSystem

An innovative sanding platen solution for low thickness tolerances.



Belt tracking cylinder

Soft switching of the sanding belt in the end position for homogeneous sanding results.

Tensioning system

To compensate abrasive belt circumferential length tolerance.



Belt tracking control
Easy access to the belt tracking sensors on the operator side.



Feed drive with worm gear
Direct power transmission and very constant torque with a large speed range.



Rubber coupling
Vibration-absorbing rubber coupling for contact drum.

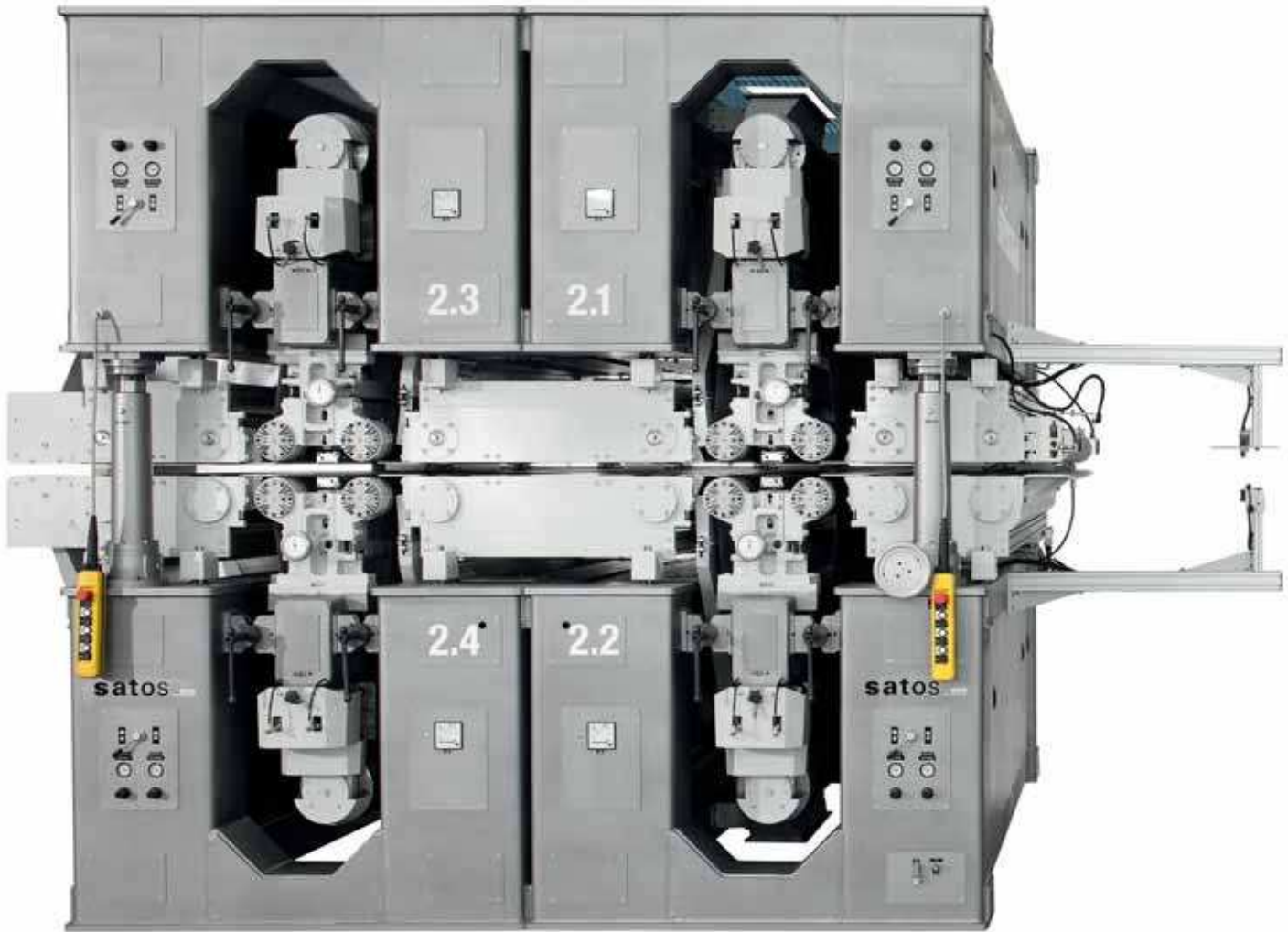


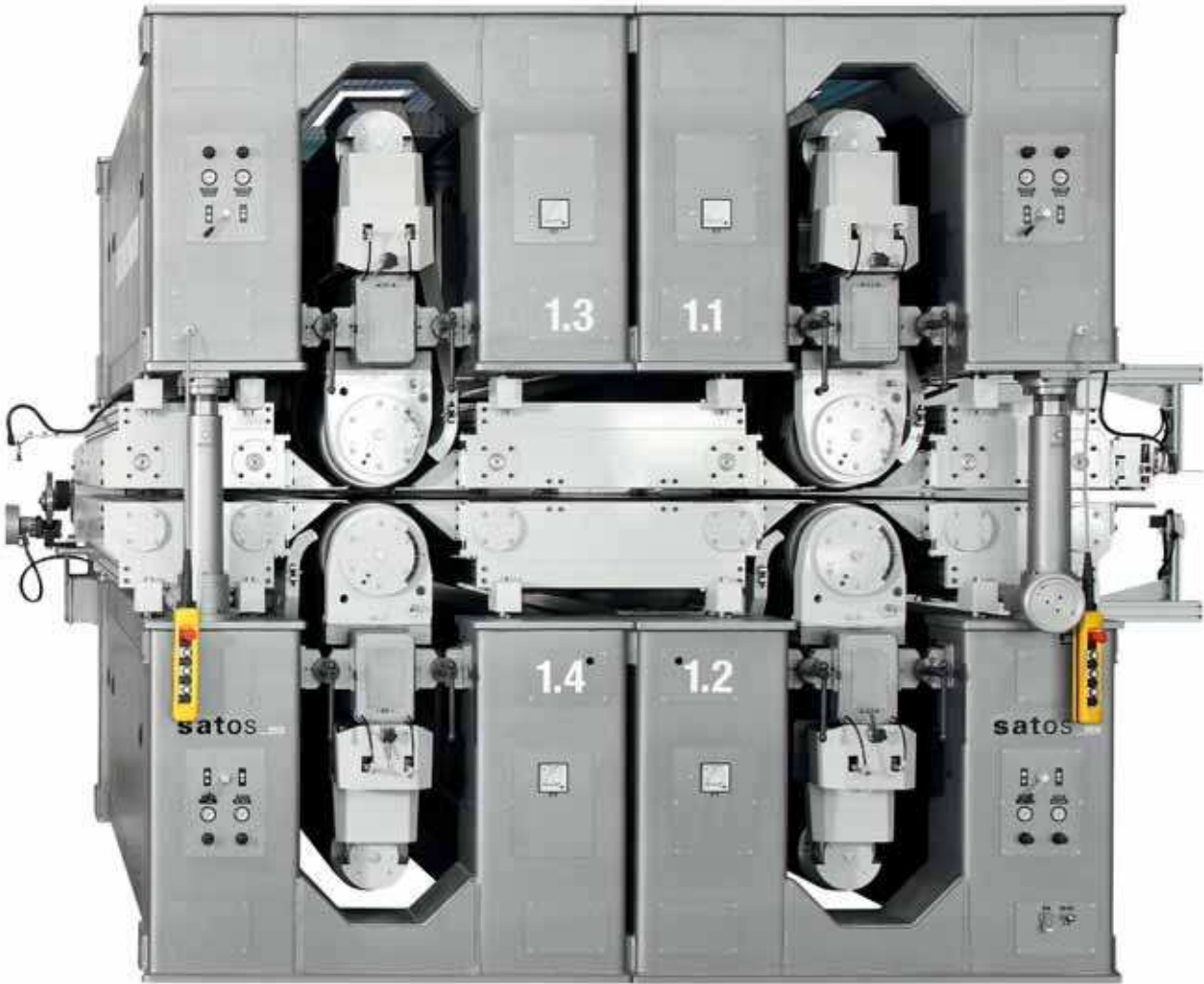
Main drive system
For contact drum with disk brake for less vibration and optimised access to V-belt.



Arctech® contact drum
With grooves and ideal diameter-to-wall-thickness ratio.

Satos_{eco} KK GG





Technical data

Satos_{eco}

Panel thickness	mm	2 – 60
Max. panel width	mm	2 850
Min. panel length (standard)	mm	1 700
Min. panel length (special type)*	mm	1 220
Machine opening	mm	0 – 300
Working height	mm	1 590
Production speed	m/min	10 – 80
Max. mechanical speed	m/min	100
Contact drum diameter	mm	365

Abrasive belt dimensions

Max. abrasive belt width	mm	2 900
Abrasive belt length	mm	3 050
Abrasive belt speed K	m/s	34 / 28
Abrasive belt speed G	m/s	22
Oscillation approx.	mm	+/- 15

Motor capacities

K head (calibration)	kW	132
G head (fine sanding)	kW	55
Feed motors	kW	15

Dust extraction capacity

K head (calibration)	m ³ /h	14 000
G head (fine sanding)	m ³ /h	9 000

Weights

K head net weight	kg	9 000
G head net weight	kg	8 000

* with additional roller

(subject to alteration without notice)

A wide belt sanding machine with an attractive price-performance ratio.

All Steinemann sanding systems are well conceived down to the smallest details. Across all products and components, Steinemann Technology meets the requirements its customers demand. With high safety standards, the Satos_{eco} features an excellent vibration-absorbing rubber coupling and main drive system, as well as optimised dust extraction, a reliable feeding concept, a well thought-out tensioning device and SprintSystem. That makes for maximum efficiency, but also for high surface quality and tight panel thickness tolerances.

This concept was developed to greatly increase productivity, focusing on efficiency throughout continuous-flow, streamlined panel production. The Satos_{eco} has a strong focus on maximum system availability: the modular design enables easy panel handling and provides generous working space for accessibility, as well as for replacing spare parts and abrasive material; symmetrical machine frames and the use of identical components also ensure simple configuration. With a very attractive price-performance ratio, the machine's functions lead to shorter processing times, less maintenance, lower operating costs and reduced down-time. This all-round flexibility of the machine is a hands-on approach that quickly pays off.

At a glance

The Satos_{eco} – a wide belt sanding machine based on many years of experience that includes a worldwide sales and service network close to the customers.

- ▷ attractive price-performance ratio
- ▷ efficient features
- ▷ all-round flexibility
- ▷ economically valuable functions
- ▷ high safety standards

STEINEMANN TECHNOLOGY AG

Schoretshuebstrasse 24
POB 461
9015 St.Gallen
Switzerland

Phone +41 71 313 51 51
Fax +41 71 313 52 52
www.steinemann.com

STEINEMANN TECHNOLOGY ASIA

808, 8th Floor, P. J. Tower
18 Persiaran Barat
46200 Petaling Jaya
Selangor, Malaysia

Phone +60 3 7954 18 22
Fax +60 3 7954 18 77
www.steinemann.com

STEINEMANN TECHNOLOGY DO BRASIL LTD.

World Trade Center
Av. das Nações Unidas
12551-17 andar
04578-903 São Paulo
Brazil

Phone +55 11 3443 77 49
Fax +55 11 3443 14 01
www.steinemann.com

STEINEMANN (SHANGHAI) MACHINERY CO. LTD.

Building 8, Xietong Group
the Fourth Industry Park
25 Caolanzhi Road
Jiading, 201804 Shanghai
P.R. China

Phone +86 21 395 96 603
Fax +86 21 395 96 623
www.steinemann.com

STEINEMANN TECHNOLOGY USA INC.

4607 Dwight Evans Road
NC 28217 Charlotte
USA

Phone +1 704 522 94 35
Fax +1 704 522 94 38
www.steinemann.com