

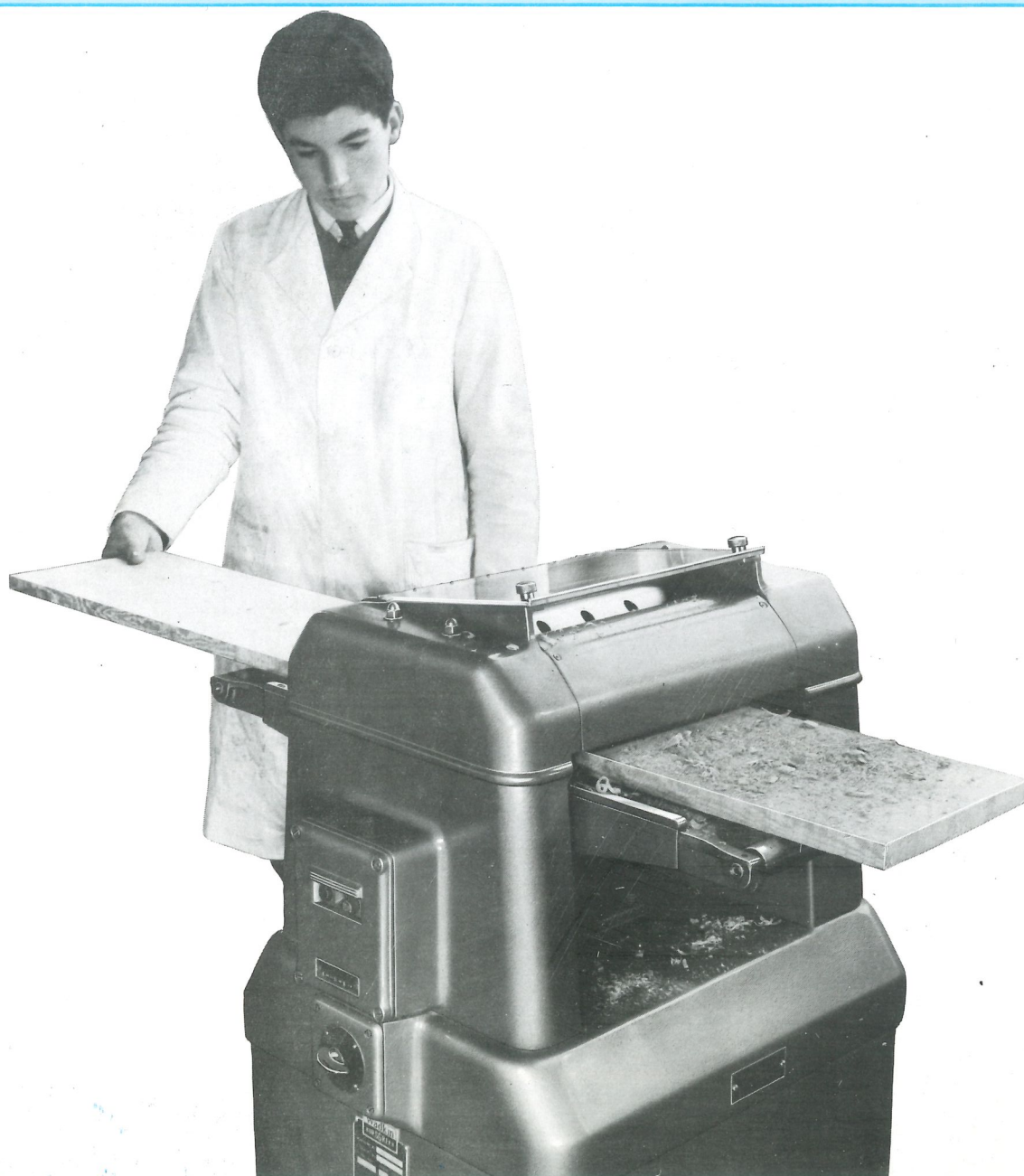
**Wadkin
Bursgreen**

12in BAO 300

ROLLER FEED PLANER

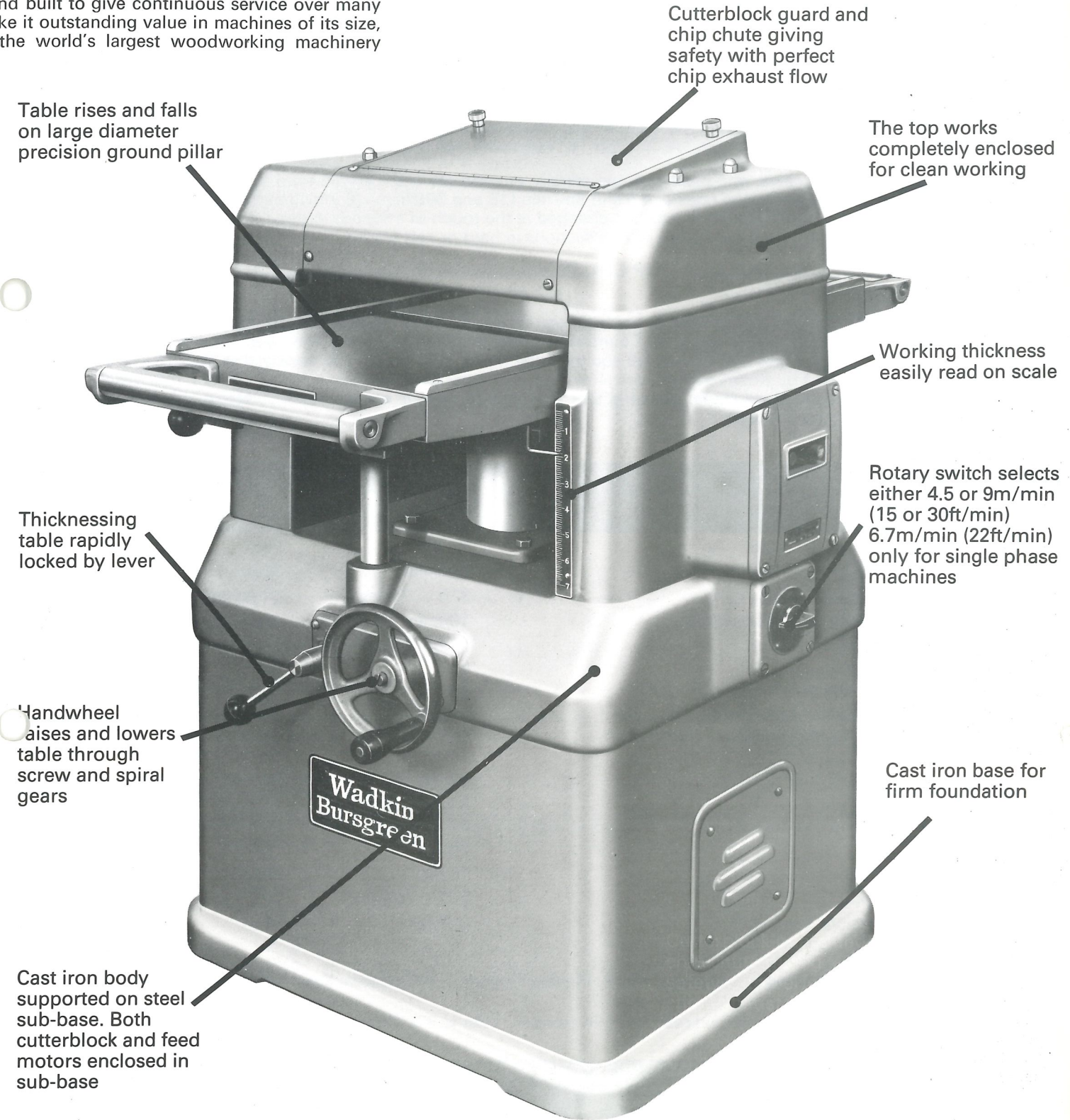
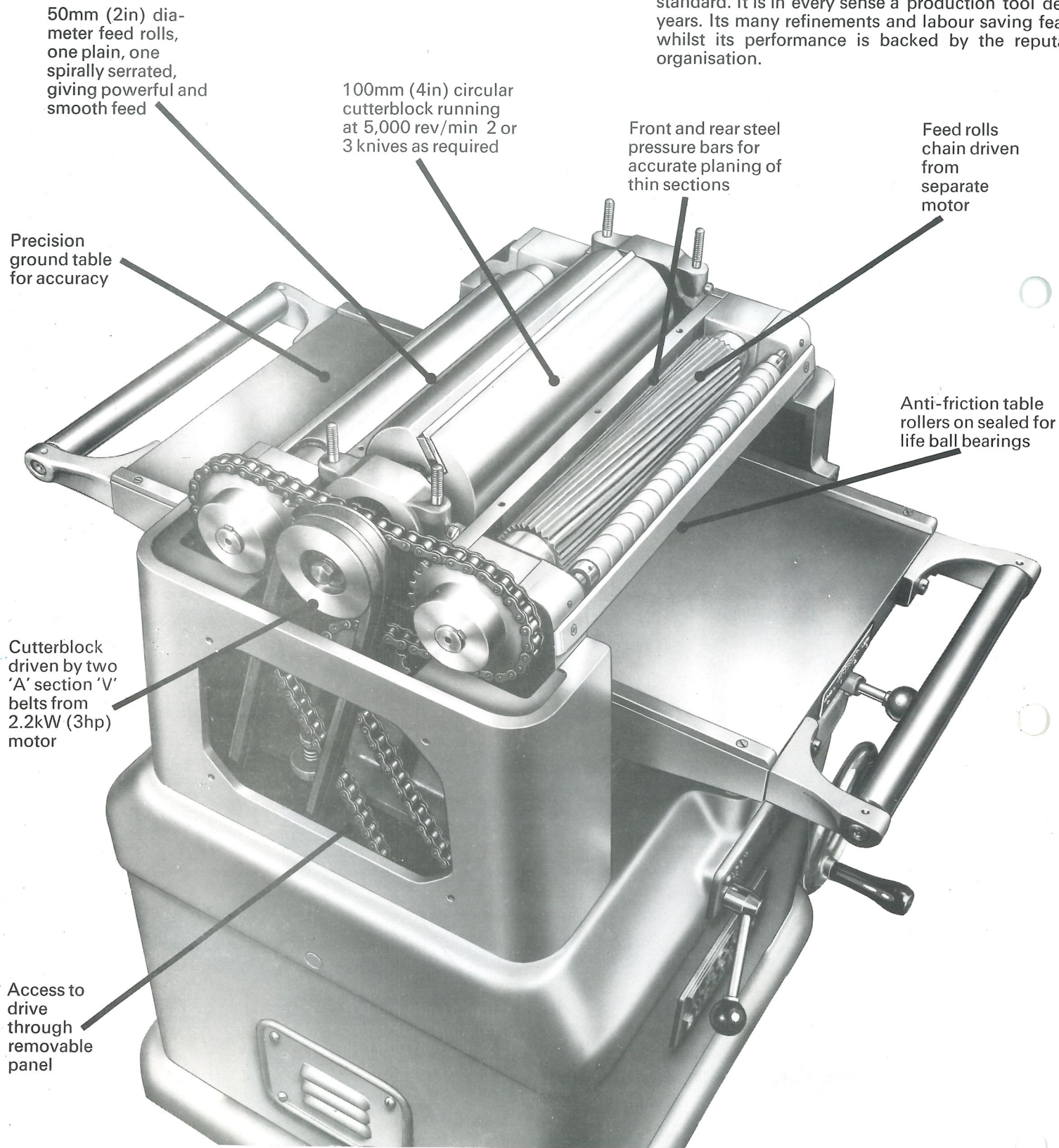
& THICKNESSER

British Standard Classification No. 12. 212



12in BAO 300 Roller Feed Planer & Thicknesser

This is a robust, compact, well engineered machine which can be relied on to produce planing of a high standard. It is in every sense a production tool designed and built to give continuous service over many years. Its many refinements and labour saving features make it outstanding value in machines of its size, whilst its performance is backed by the reputation of the world's largest woodworking machinery organisation.



A PRECISION PLANER TO GIVE YOU ACCURACY, FINE FINISH & PRODUCTION

12in BAO 300 ROLLER FEED PLANER & THICKNESSER

CONSTRUCTION

MAIN FRAME follows well proved Bursgreen lines and comprises a substantial cast iron body mounted on a strong steel base with cast iron floor plinth to give maximum spread and stability. All working mechanism and electrical equipment are totally enclosed within this frame and accessible through panels.

TABLE is precision ground and fitted with two anti-friction rollers, mounted on "sealed for life" ball bearings. Outboard rollers are also fitted. Table rises and falls on large precision ground pillar through screw and spiral gears operated by handwheel. An effective locking lever is provided.

CUTTERBLOCK is of the two knife circular type. Three knife type is available. It is mounted on "sealed for life" ball bearings and driven by two "A" section "V" belts with ball bearing jockey pulley for tensioning.

FEED. Two feed rollers, one plain and one spirally serrated are chain driven from two-speed motor and worm wheel reduction box giving rates of 4.5 and 9m/min (15 and 30ft/min) [6.7m/min (22ft/min) only in the case of single phase machines]. Feed rates are changed at the touch of a switch. Front and rear steel pressure bars are provided for accurate machining of thin sections in hard or soft timber.

CUTTERBLOCK GUARD AND CHIP CHUTE is of advanced design giving complete safety with perfect chip exhaust flow.

THE DRIVE. Cutterblock is driven by squirrel cage motor completely enclosed in the base of the machine and controlled by push button "direct-on" contactor starter fitted with no-volt and overload releases. Feed works are driven by independent two-speed squirrel cage motor also completely enclosed in the base of the machine and controlled by Rotary switch with slow, fast and stop positions clearly marked. Feed motor switch is interlocked with cutterblock starter ensuring that feed cannot operate except when cutterblock is running. Isolating switch can be provided.

SPECIFICATION

Length of Thicknessing Table	710mm	28in
Overall length including outer rollers	900mm	35½in
Capacity of machine	310 × 180mm	12¼in wide × 7in deep
Cutting Circle diameter of Cutterblock	100mm	4in
Speed of Cutterblock	5,000 rev/min	5,000 rev/min
No. of Cutters: Standard	2	2
Optional Extra	3	3
Horse Power of Cutterblock Motor	2.2kW	3hp
Syn. Speed of Cutterblock Motor: 50 hertz	3,000 rev/min	3,000 rev/min
60 hertz	3,600 rev/min	3,600 rev/min
Diameter of Feed Rollers	50mm	2in
Feed Speeds: 3 phase	4.5 and 9m/min	15 and 30ft/min
single phase	6.7m/min	22ft/min
Net weight	300kg	660 lb
Gross weight (approx.)	342kg	756 lb
Floor Space (approx.)	800 × 650mm	31½ × 25½in
Shipping Dimensions (approx.)	0.70m³	24ft³

Details included in price: One pair H.S.S. Planing Cutters. Cutterblock Key. Cutter Setting Device.

Optional extras: Built-in Isolator. 12in H.S.S. Planing Cutters.



Sales

Wadkin Ltd.

Green Lane Works, Leicester, LE5 4PF

Telephone: 0533 769111

Telegrams: } Woodworker, Leicester, Telex.

Cables: }

Telex: 34646 (Wadkin, G)

and at
YORK HOUSE, EMPIRE WAY
WEMBLEY, Middx. HA9 0PA
Telephone: 01-902 7714 (3 lines)
Telex: 262210

Service

BURSGREEN (DURHAM) LTD.,
Fence Houses,
Houghton-le-Spring,
Tyne and Wear, DH4 5RQ,
Telephone 038 579 2385

As our policy is consistently to improve the design of Bursgreen woodworking machinery the details given in this leaflet are not to be regarded as binding

Printed in England WAD·10·78·P