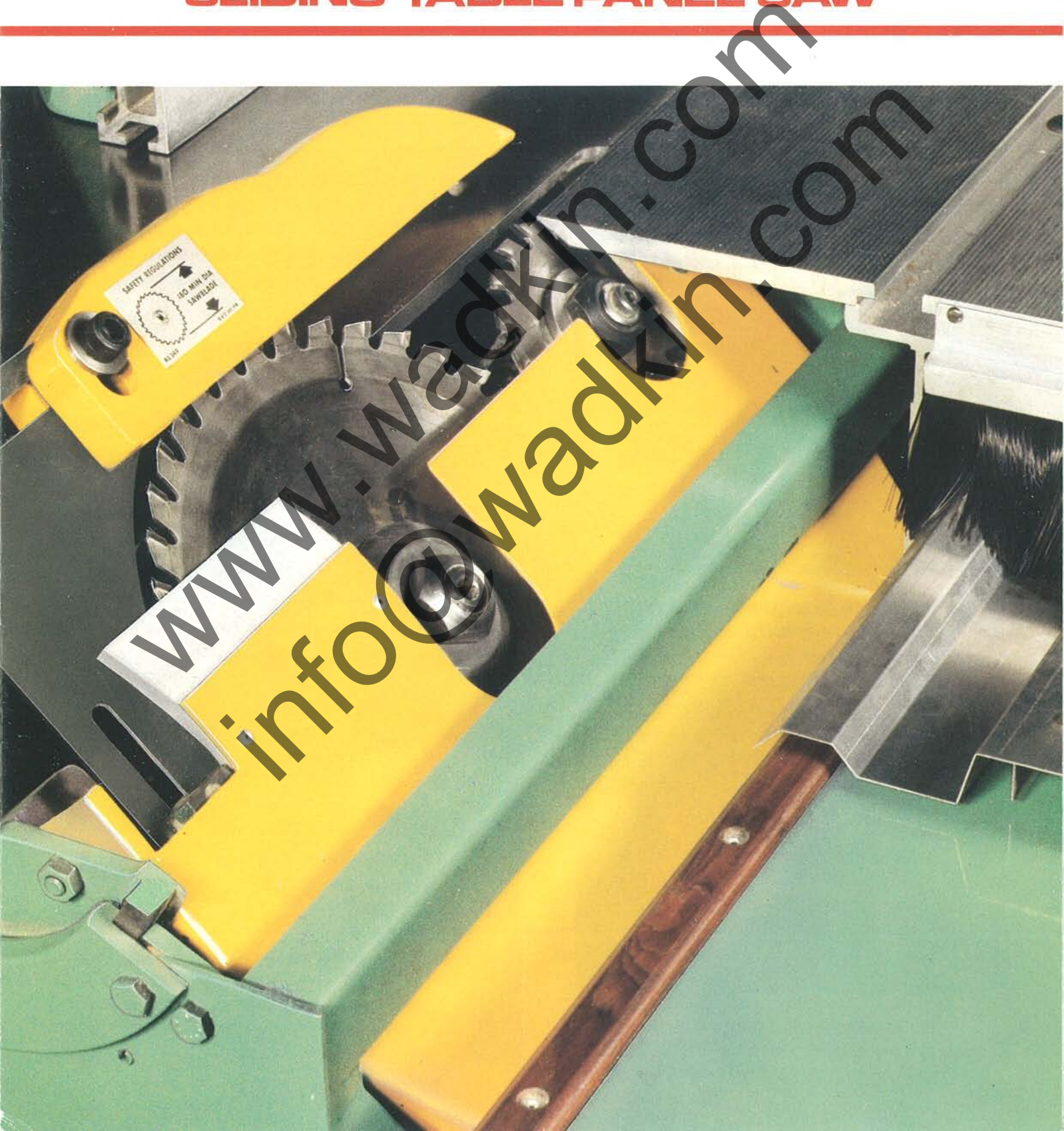




# SP 12

## SLIDING TABLE PANEL SAW





# SP 12 - A sliding table pane

## Versatile Machine

An impressive and versatile sliding table machine for working panels up to 1250 x 2500mm, and solid timber up to depths of cut of 100mm. This high specification machine incorporates scoring and a comprehensive range of standard features usually associated with larger machines. The SP12 is the ideal machine for a wide range of applications, and with scoring can handle panels up to 30mm thick.

✱ **Panel dividing**

✱ **Panel trimming**

✱ **End trimming**

✱ **Paralleling/sizing**

✱ **Angled ripping**

✱ **Deep ripping**

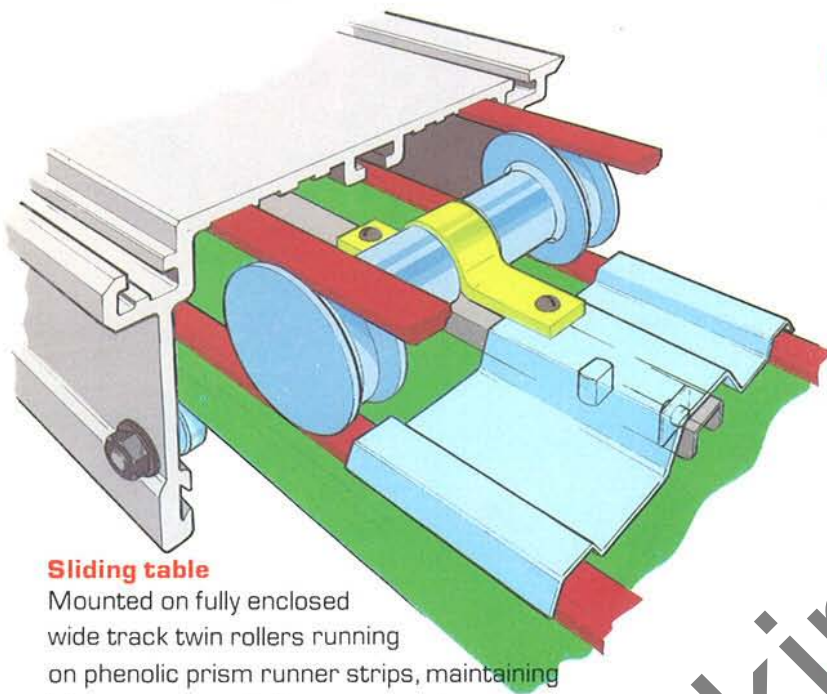
✱ **Mitres**

✱ **Bevel cutting**



With its exceptionally competitive price this machine represents a valuable asset to any workshop, large or small.

# 1 saw in a class of its own



## Sliding table

Mounted on fully enclosed wide track twin rollers running on phenolic prism runner strips, maintaining high accuracy with free movement.

## HIGH SPECIFICATION

Substantial cast iron construction with robust fixed table and removable open frame sliding table. Fitted with rip fence and crosscut fence, scaled for accurate setting. The crosscut fence can be swung clear when not required, allowing unrestricted use for ripping large panels. The main and scoring saws are integral to the saw unit pivoting on trunnions for increased stability and accuracy. Can be canted to 45° enabling mitres, bevels and intricate compound angles to be produced. The contra-rotating scoring saw cuts the underside to eliminate splchng, particularly important when cutting veneer and melamine panels, and is of unique design for reduced set up time. For sizing panels with overhanging veneer or core stock the rip fence can be turned through 90° to enable positive location against the core.

- \* Versatile and reliable machine for maximum productivity
- \* Ergonomically designed for operator efficiency and to reduce operator fatigue
- \* Robust construction for extended service life
- \* Well established service back up for minimal down time

## RANGE OF OPTIONS

A comprehensive range of optional extras are available to give maximum realisation of the machine's potential, ensuring that the SP12 quickly becomes the centre-piece of your workshop.

- \* Increased saw motor power 3.7kW (5hp)
- \* Extension table
- \* Adjustable mitre fence
- \* Fixed mitre fence
- \* Automatic brake



## Panel sizing

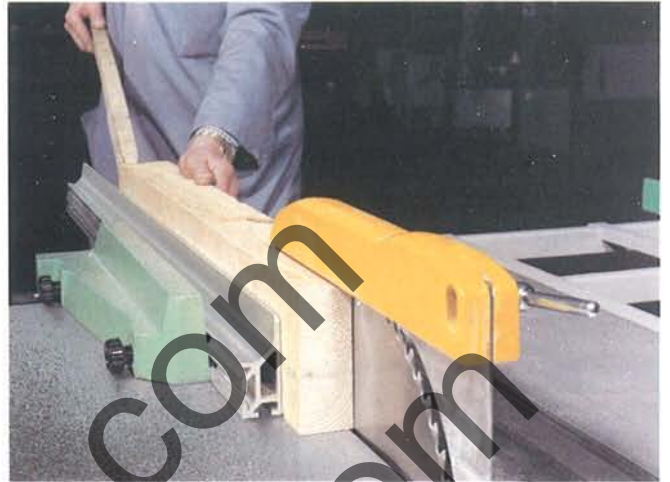
Precision graduated scales to crosscut and rip fences for fast accurate panel sizing.

Lockable turnover stops fitted to crosscut fence. Adjustable over full extent of fence with minimum deadspot.



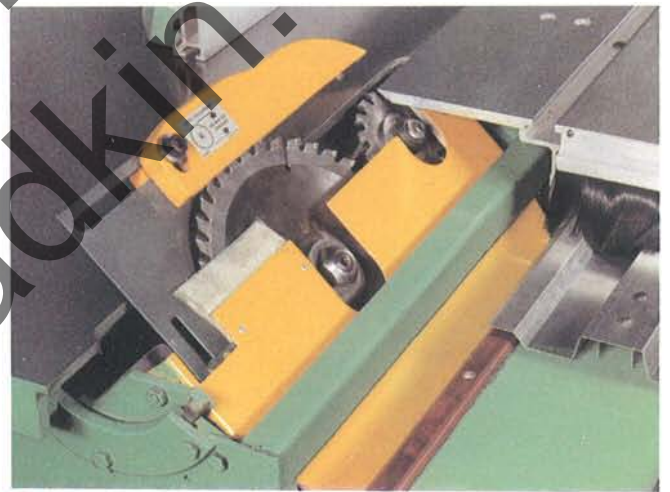


# SUPERIOR STANDARD FEATURES FOR TOP PERFORMANCE



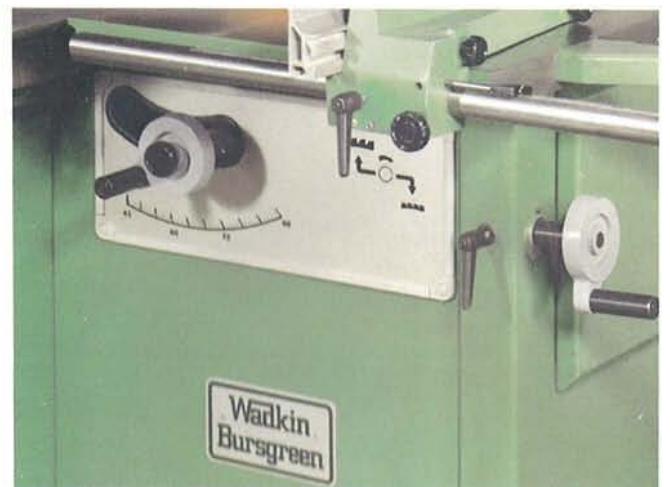
## Deep ripping

Fully adjustable rip fence allows accurate dimensioning of long lengths of solid timber.



## Saw unit

The main and scoring saws can be accurately canted to 45°. Unique design provides automatic setting of scoring saw with main saw for rapid setting up.



## Grouped controls

Ergonomically designed to reduce operator fatigue and increase productivity.

# RANGE OF OPTIONAL FEATURES



## De-luxe adjustable mitre fence

Precision calibrated, fully adjustable up to 90°, complete with turnover stops. Ideal for mitring to complex compound angles.



## Extension table

Extends fixed table allowing increased distance from saw to rip fence up to 1250mm.



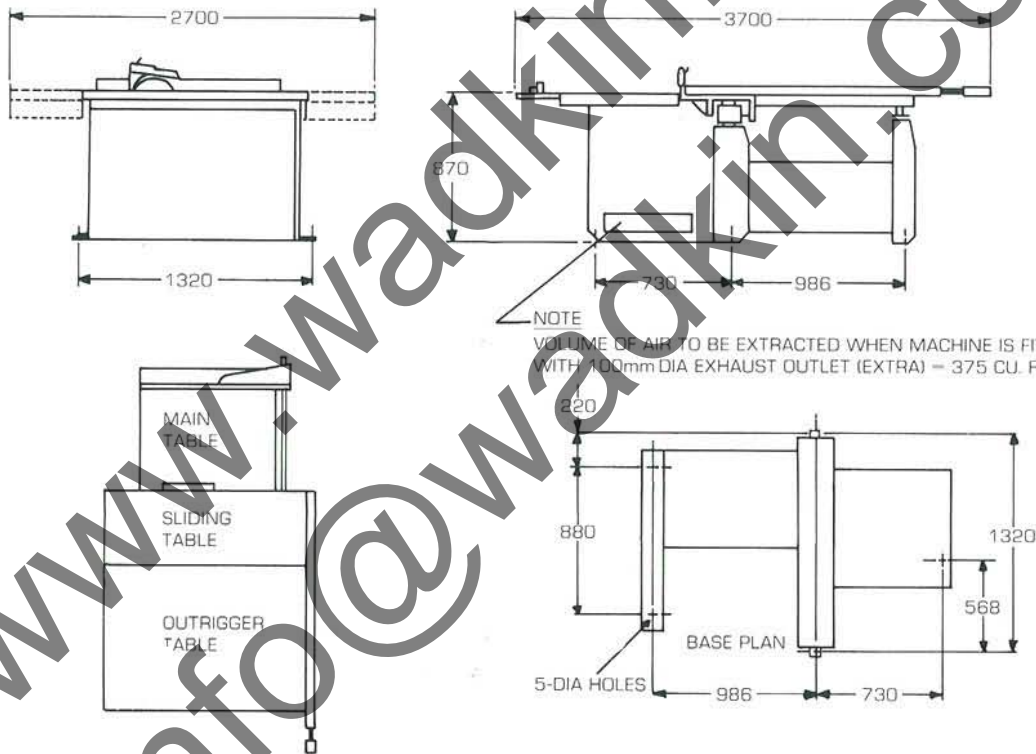
## Fixed mitre fence

Precision ground, double faced and fixed at 45°. Enables quick and accurate mitring to be performed. Complete with turnover stops for fast and easy adjustment.



# SPECIFICATION

Panel size, maximum	1250 x 2500mm	(49 x 98 in)
Sliding table	1350 x 1300mm	(53 x 51 in)
Fixed table	865 x 610mm	(34 x 24 in)
Diameter of main saw, scoring	250mm	(10 in)
no scoring	300mm	(12 in)
Diameter of scoring saw	105mm	(4 <sup>1</sup> / <sub>8</sub> in)
Diameter of saw spindles	20 mm	( <sup>3</sup> / <sub>4</sub> in)
Saw projection at 90° with 300mm blade	50 to 100mm	(2-4 in)
Saw projection at 90° with 250mm blade	25 to 75mm	(1-3 in)
Power of motor, standard	2.2kW	(3 hp)
optional	3.7kW	(5 hp)
Spindle speed, main saw	3850 rev/min	
scoring saw	7000 rev/min	
Floor space (approx)	2700 x 3700mm	(107 x 145 in)
Net weight (approx)	340kg	(750 lb)
Gross weight (approx)	510kg	(1120 lb)
Shipping dimensions, machine	1.45 x 1.35 x 1.09 m	(57 x 53 x 43 in)
outer slide bar	2.44 x 0.20 x 0.20 m	(96 x 8 x 8 in)



**FOUNDATION PLAN**

Wadkin Durham panel saws conform to the latest Health and Safety Regulations with a high degree of environmental acceptability. Noise levels are well within prescribed limits and an efficient dust extraction system ensures that machines remain dust free during operation.

Wadkin Durham supply a range of sliding table dimensioning and panel saws. Further leaflets available on request.



Wadkin Durham, Fence Houses, Houghton-le-Spring, Tyne & Wear, DH4 5RQ, England.  
Telephone: (091) 385 2385. Telex: 53441 (Burdrm G). Fax: 385 3311

As our policy is constantly to improve the design, details given in this leaflet are not to be regarded as binding.

A Division of Wadkin plc. A Member of the Thomas Robinson Group plc.  
DURHAM 02.88 Printed in England.