

Powermat

600



Powermat

600

With wood into the future

Solid wood processing with WEINIG 4

The new Powermat 600

This is how you produce ultimate quality 8

The Powermat 600 as a standard machine

Highly productive and profitable 16

The high-end version of the Powermat 600

Multi-purpose and technically superior 22

Machine, Tool, System

Complete production with WEINIG 30

Even more possibilities

Configuration options for the Powermat 600 34

The Powermat 600 in facts and figures

Technology, standards and options 36



With wood into the future

Wood has fascinated man ever since tools were invented. Today we have incredible opportunities to create added value. Modern processing technologies offer fascinating contours to create beautiful products out of wood. Their natural feel and noble look make wooden products very much in demand. This renewable, eco-friendly raw material is highly rated in society. Good times for wood workers. Good times for you.

Planing, profiling, finishing. Whatever you do – you will always be on track with machines from WEINIG. Because WEINIG is the only manufacturer who is fully committed to solid wood. With passion and dedication, like yourself. An ideal partner for production technology to help you conquer tomorrow's market.

The range of applications for wood is growing. Traditional fields of activity such as interior and exterior mouldings, commercial furnishings and window and door manufacturing are joined by imposing wooden architecture. Sophisticated façade and bridge constructions, gluelam or cross laminated timber elements are symbols of the future. Textured surfaces and creative lightweight construction are setting new trends.

But no matter what is ahead – with technology from WEINIG you will always be at the cutting edge. Optimally equipped for the challenges of constant change. WEINIG's machine concepts offer unique flexibility. Modern manufacturing methods and state-of-the-art production machinery ensure your moulder is of the highest quality and durability. Innovative solutions make very short set up times and maximum material yield possible. Naturally with perfect accuracy of dimensions and excellent surface quality for your products..



WEINIG

Weinig offers more

WEINIG's successful path in wood processing is characterized by listening to our customers and the demands of the market place. Born of many years experience, WEINIG's R & D department never fails to create new, practical solutions for industry and artisans. Whoever buys a WEINIG machine today knows that they are optimally equipped for the future of their business.

100% quality – WEINIG's machines have to satisfy the most difficult requirements. That is why the greatest care in development and manufacturing is a traditional virtue at WEINIG. You benefit from this by the long service life of your valuable investment.

Reliability – The availability of a machine determines how profitable your business is. WEINIG's systems are known for their high standard. More than 80,000 machines from WEINIG are operating around the globe to the utmost satisfaction of our customers.

Expert advice – Whether you need the system expertise of the WEINIG Concept or the know how of WEINIG's experts on your door – you can always rely on our committed sales team. Ultimately you will have a customized solution that offers you maximum added value.

Everything from a single source – In WEINIG you have an experienced full service provider as your partner. From ripping to stacking, from a stand alone machine to a turnkey, fully automated production line. And, of course, including a comprehensive service package.

Service – Safety is reassuring. If the worst comes to the worst, our trained service engineers will be quickly on site. WEINIG maintains a unique closely woven service network worldwide. It is so closely woven that no customer can fall through!

The WEINIG ExpoCenter.

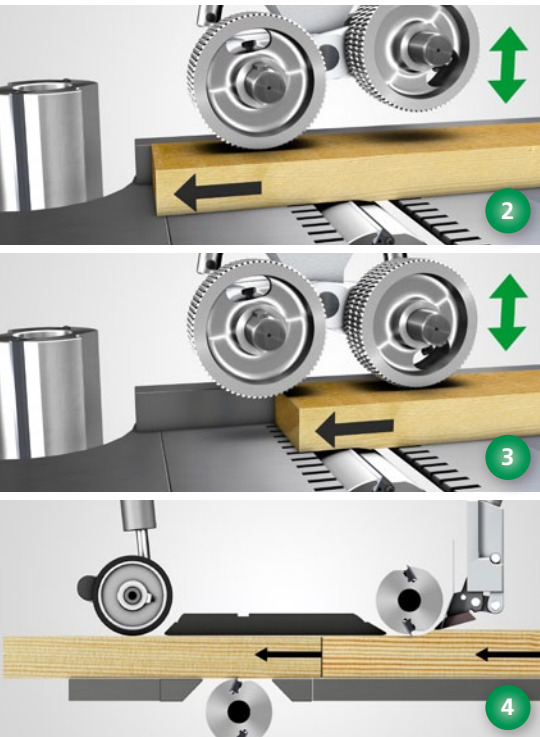
In our ExpoCenter we can show you what top technology can really do for you. Here you can experience our machines live.



Give your business a new perspective.
The new Powermat 600

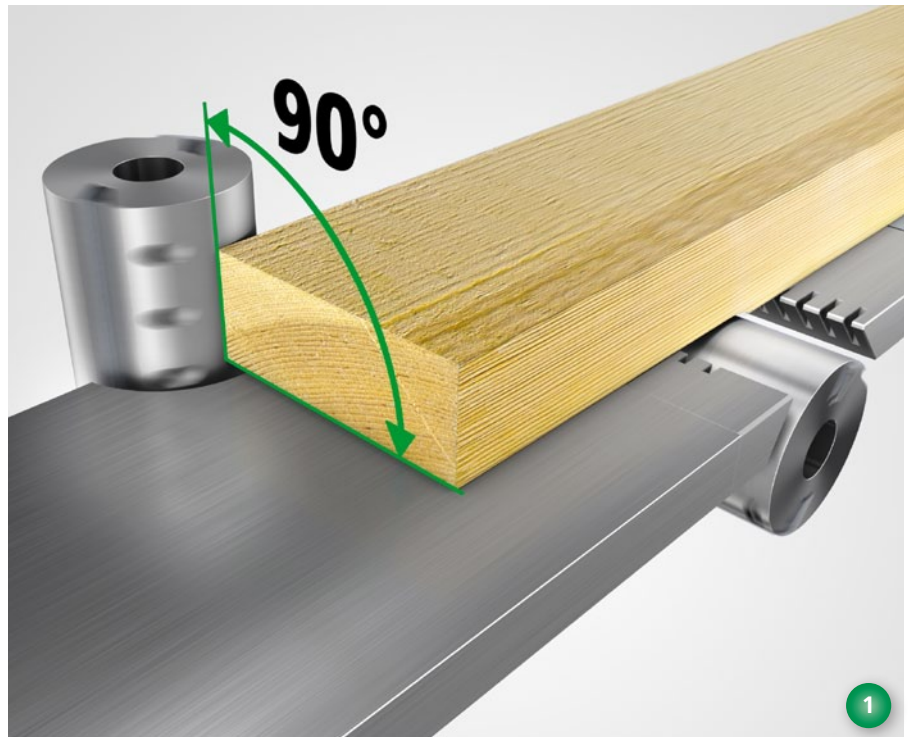


Straightening and S4S: Set standards with us



4. Back pressure system: Optimized throughput

When your work pieces are passing through the machine end-to-end, perfection is needed especially in the outfeed. WEINIG's backpressure system uses a push feed effect to prevent work pieces from separating at the last bottom spindle and enables them to be produced continuously without gaps.



1. Machine, Tools, Tables: Quality is a question of accuracy.

Product quality is determined with straightening and fitting. Table plates and spindles have to be mounted perfectly. In your Powermat the jointing spindle (first right) is squared at a precise right angle to the first bottom spindle. As a result, when your work pieces come out of the machine they are square, just as you should expect.

2. Weinig straightening system: Better than by hand

The WEINIG feedworks enables you to achieve optimum results. The first feed roller is elevated pneumatically so it will not contact the work piece until the work piece contacts the first feed wheel after the first bottom spindle.

3. Straightening or surfacing? That's not an issue for us.

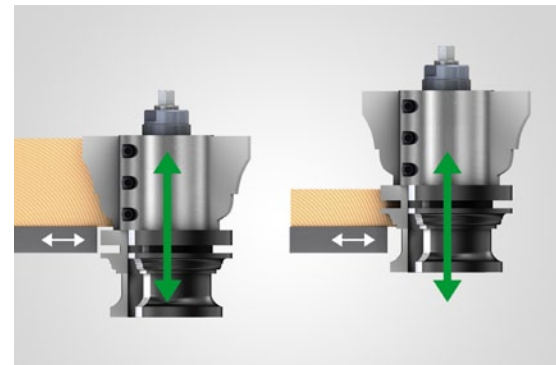
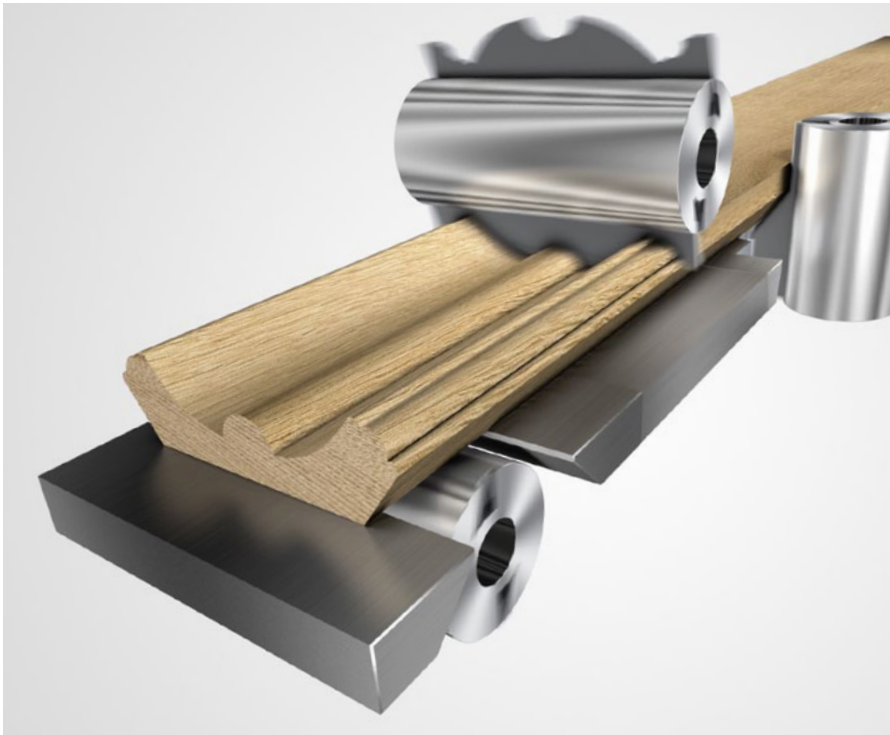
WEINIG technology allows you to plane crooked or bowed work pieces perfectly without retooling. The first feed wheel has vertical pneumatic adjustment, so you can determine the proper setting of the infeed fence and table to ensure the work piece will come out of the machine straight or flat.



For more information,
go to film1.weinig.com

Profiling:

There is always a solution for the impossible

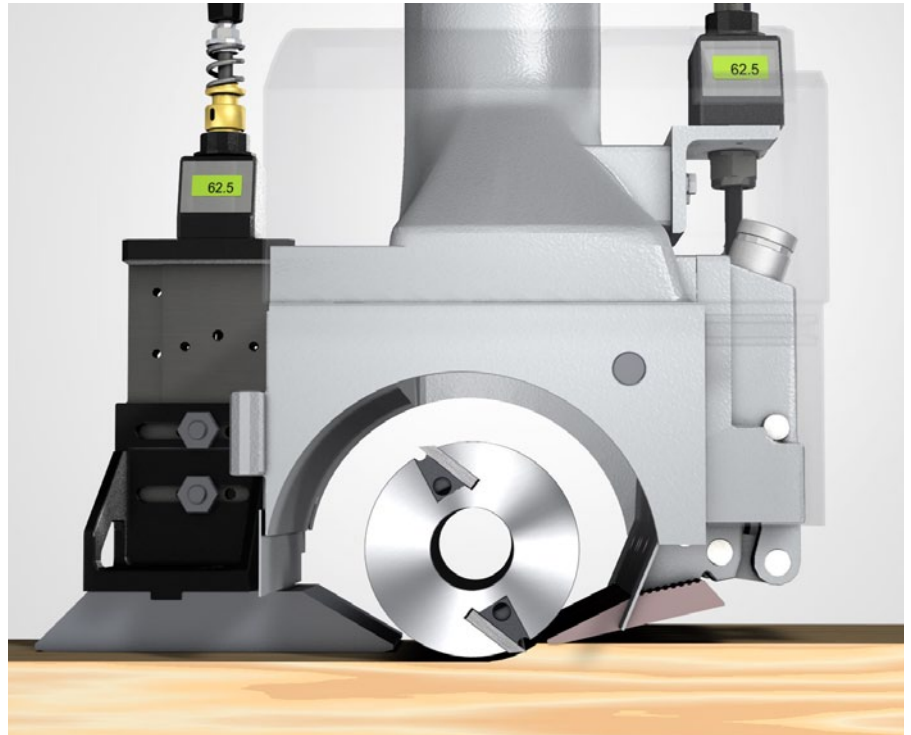
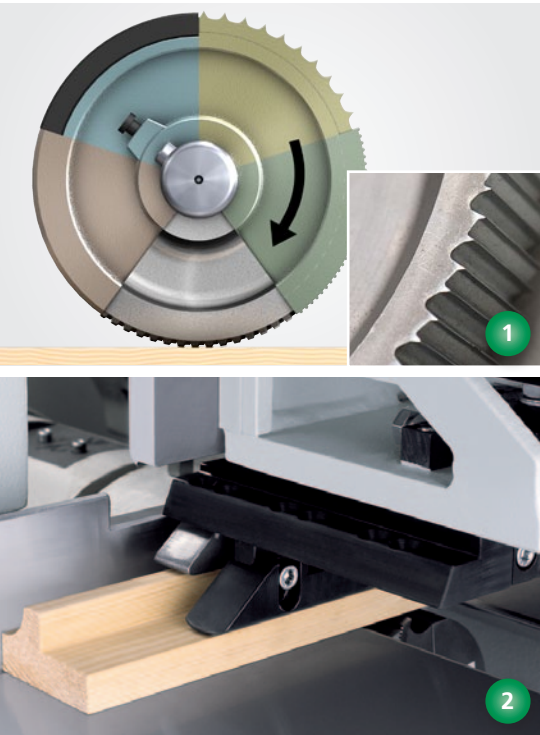


If the material needs to be given a profile, this increases the demands on engineering. Complex shapes require a high level of machine precision to secure and feed the work piece smoothly through the machine. Child's play for WEINIG. Profiling is our core skill. Whether hardwood, softwood or MDF or any of the composite materials the market has produced, there is hardly a material that Weinig cannot work with. There is scarcely a profile that is too complicated. From a simple groove to a beautiful crown moulding. WEINIG moulders are the perfect bridge from tool to work piece.

It's all a question of the whole system:

- Appropriate spindle sequences
- Coordinated processing tools
- Adjustable table plates and fences
- Optimum guide elements

Guiding and controlling of work pieces: Our core skill



1. New: pointed tooth roller 2.0

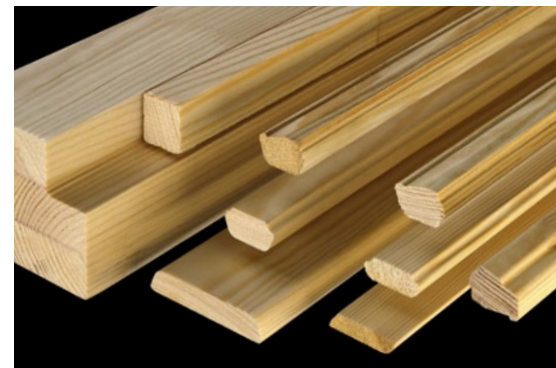
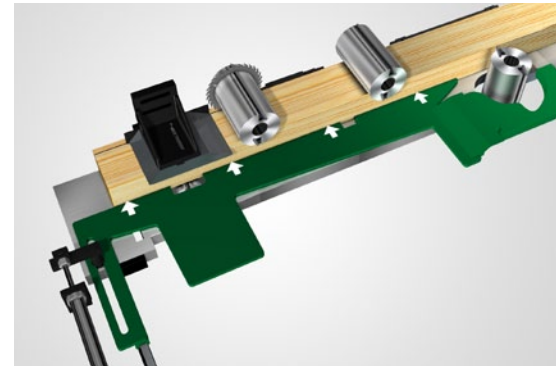
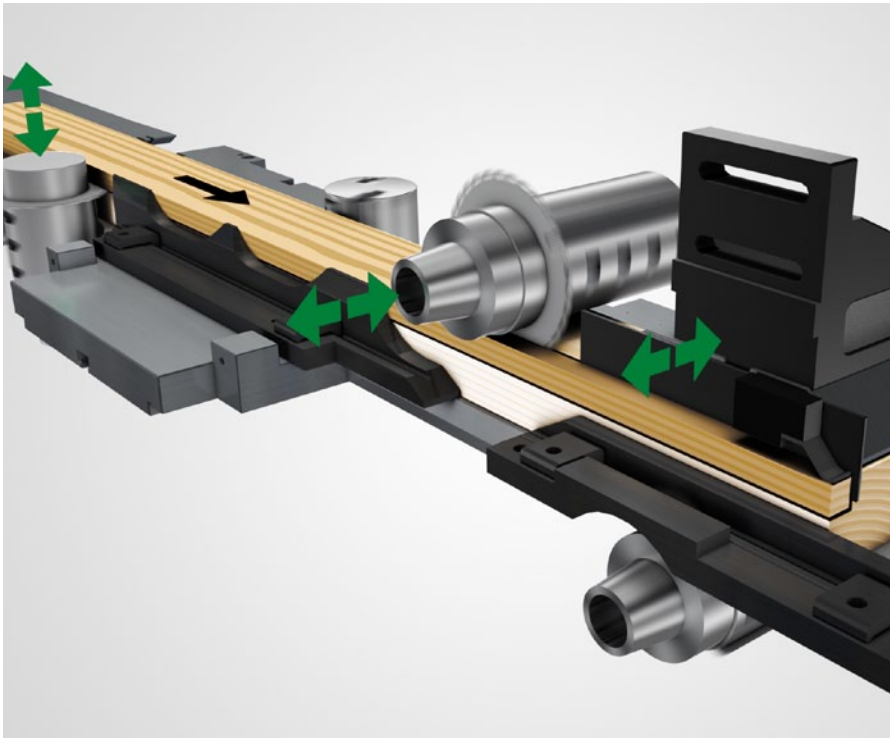
- The right solution for every application
- New tooth shape
- Long service life
- Minimal feed wheel marks

2. Cassette system for fast and simple counter-profiles pressure shoe

- Exact pressure across the entire wood contour
- Improved surface quality
- Savings in setup time thanks to fast changes and easy repeatability

Especially care is required where work pieces are guided and machined. The optimized pointed tooth rollers of the WEINIG feed system reduce the tooth penetration into the wood and are self cleaning. Our pneumatic pressure shoes ensure highly accurate guidance. The table plates are covered with MarathonCoating so the wood slides over the table without being damaged. You can see and feel WEINIG's expertise on the work piece. You will be delighted with the surface quality as well as the dimensional and repeat accuracy of the Powermat 600.

Window production: Available in seconds



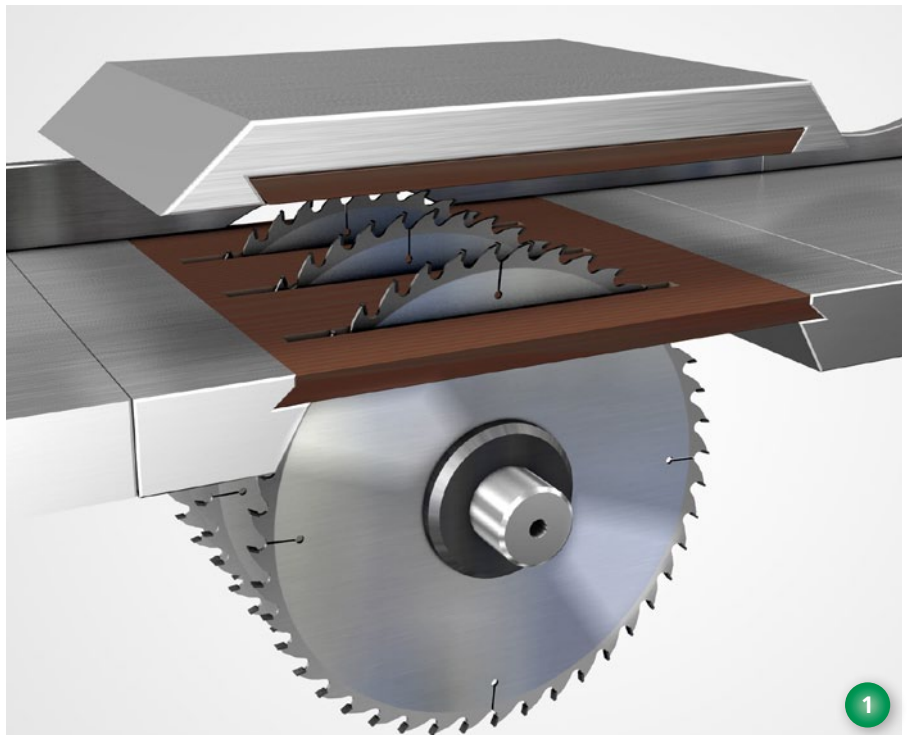
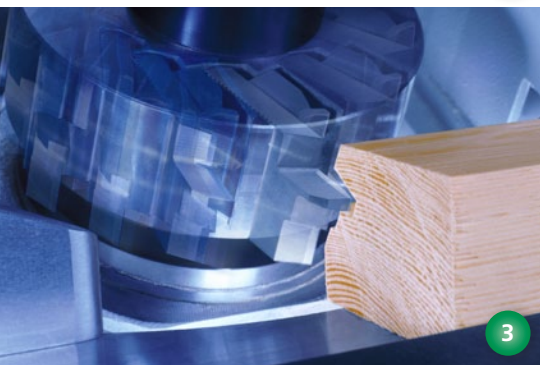
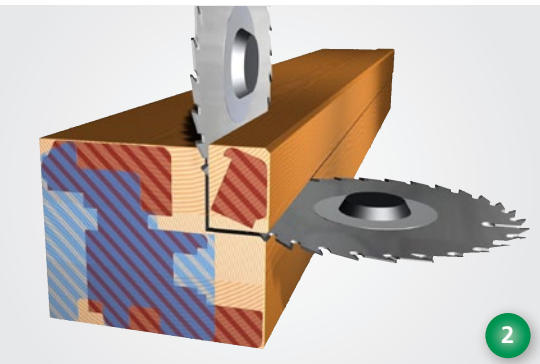
WEINIG's planing and profiling machines have a firmly established role in window production. And with good reason. A press of the button is all that is needed to switch from S 4 S to profiling. Removing glazing bead is amazingly simple with the motorized spindle positioning and the bead transport system. Special glazing beads are easy to produce thanks to the adjustable guide after the left spindle. Naturally with a superior surface quality.

- Furniture grade surface quality
- Extremely simple profile changes
- Glazing bead removal at the press of a button
- Extensive variety of glazing beads



For more information,
go to film2.weinig.com

At the press of a button: Everything in a single run

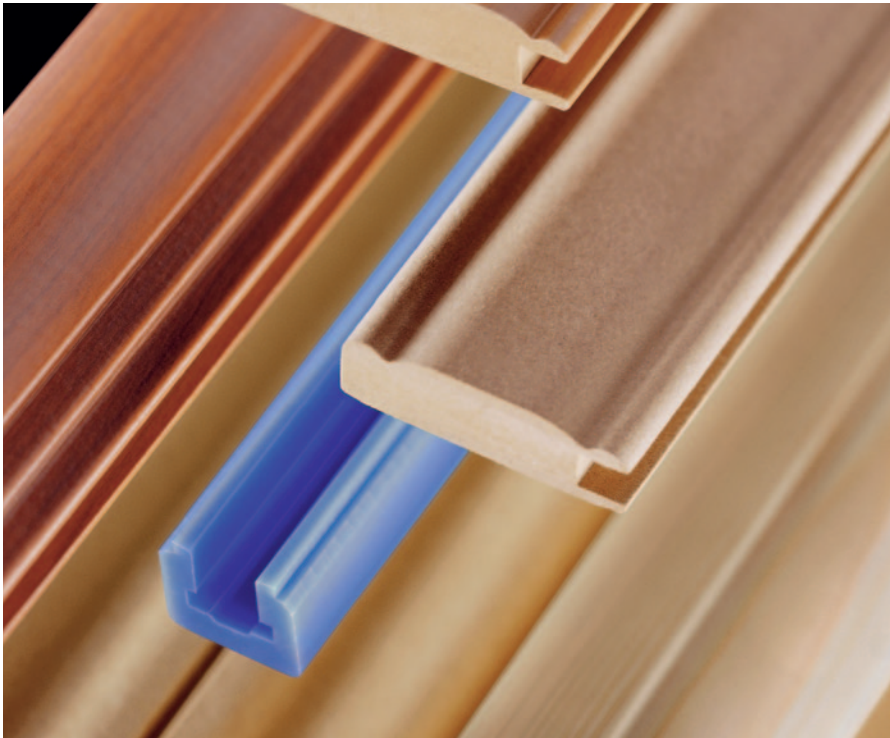


1. Ripping – Planing, profiling and sawing in one operation? Not a problem for the Powermat 600. The last bottom spindle turns your machine into a multi-blade rip saw. The first bottom spindle creates a flat reference surface. The work piece is fed smoothly and accurately during ripping. This prolongs the service life of the blades.

2. Removing – Planing on 4 sides, profiling and glazing bead removal in the same operation? The window package for your Powermat 600 helps you to execute this task simply and skilfully. You will be surprised how much wood you save.

3. Universal spindle – Do you often have complex profiles to produce? In that case the universal spindle is a useful addition to your spindle arrangement. The universal spindle can be used 360°. It is excellently suited for grooves, kerfs and separating work pieces (savings in wood!).

A range without limits: A solution for every application

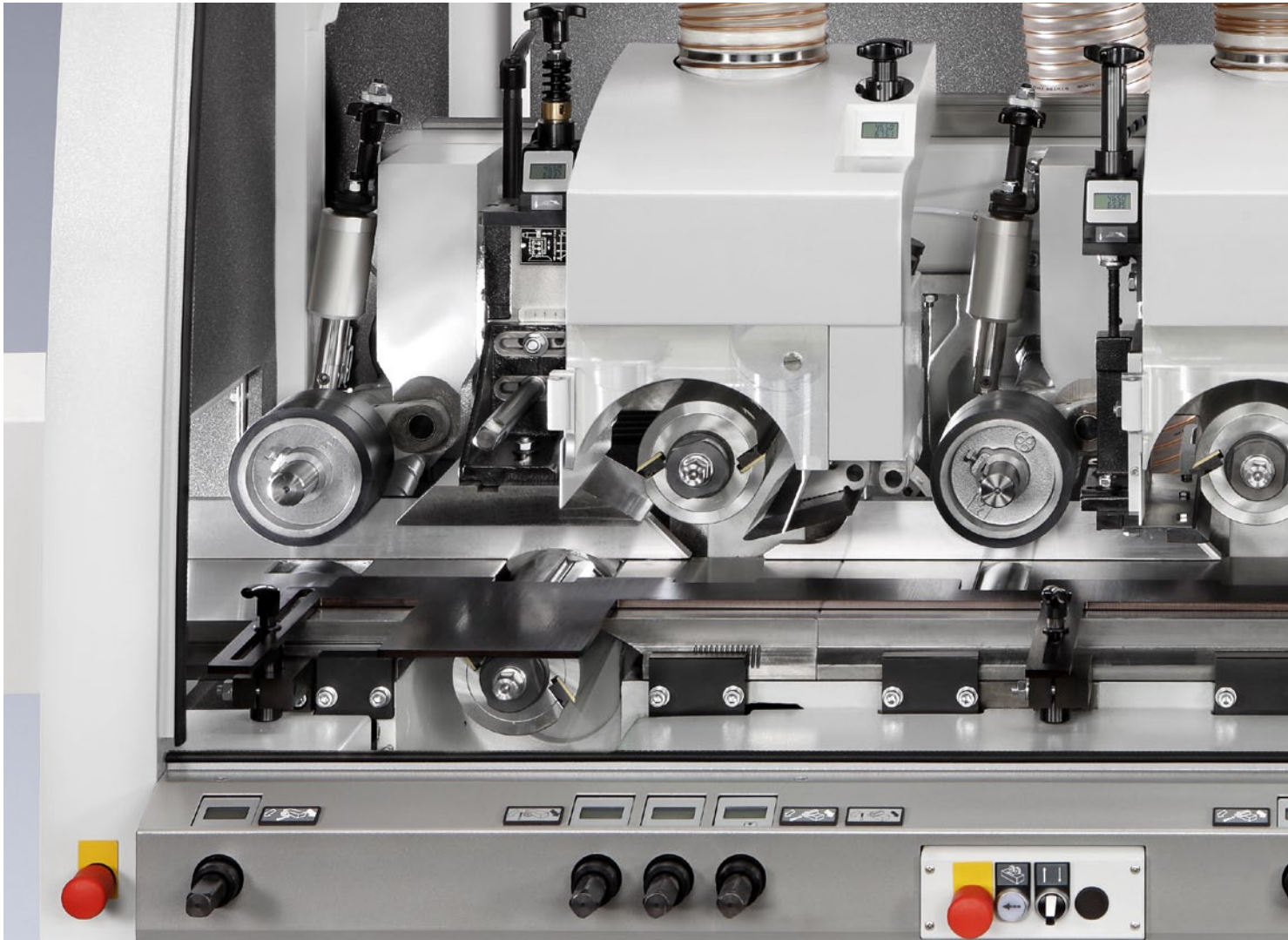


WEINIG stands for solid wood expertise. But we can do much more. Other materials can also be processed on our moulders with the same high quality. For example composites such as WPC (Wood-Plastic-Composite). Even plastic, aluminum, MDF or electrical hardboard are no problem for the Powermat 600. With its high performance, precision and repeat accuracy it covers an extremely wide range of applications. Just contact us. We will be sure to have a convincing solution for your application.

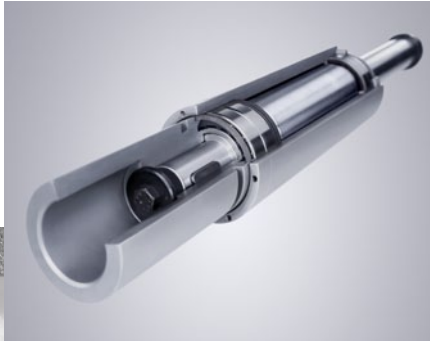
Materials that the Powermat 600 EDIT can process:

- WPC (Wood-Plastic-Composite)
- MDF
- Chipboard
- Electrical hardboard
- Plastics
- Foamed materials
- Cement boards
- Aluminum

WEINIG Powermat 600: The highly productive standard machine

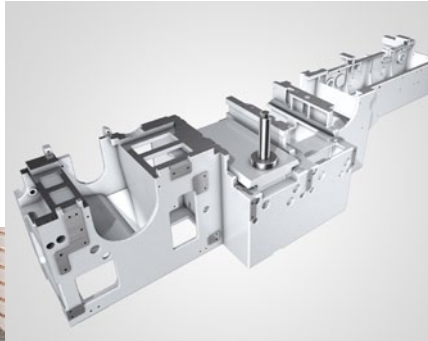


WEINIG offers an exceptional machine as a standard model. The Powermat 600. From high quality cast base units to intuitive and safe operation. Leading edge technology, reliability and maximum profitability make the Powermat 600 the ideal introduction to 4-sided machining. Furthermore, WEINIG's machine are recognized for maintaining their value.



Spindles

The development and production of high quality spindles has a long tradition in our company. You can benefit from our experience of assembling 35,000 spindles every year.



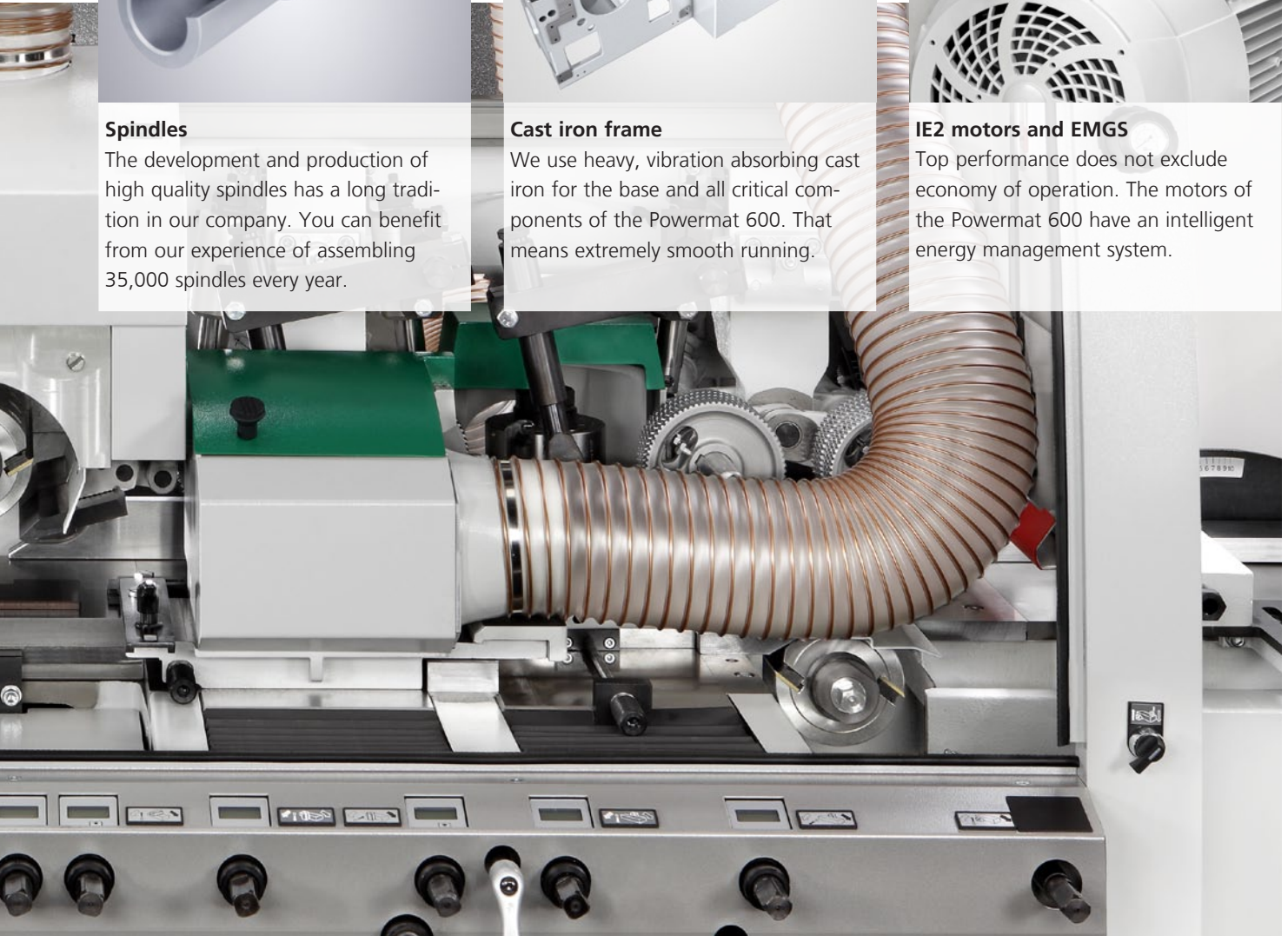
Cast iron frame

We use heavy, vibration absorbing cast iron for the base and all critical components of the Powermat 600. That means extremely smooth running.



IE2 motors and EMGS

Top performance does not exclude economy of operation. The motors of the Powermat 600 have an intelligent energy management system.



With a WEINIG Powermat 600 you can face the challenges of the market with confidence. Many years of our customers' experience have been incorporated in the well designed basic configuration. Intelligent options open up additional capacity when you need it.

- Heavy cast iron construction
- Up to 8,000 rpm
- Memory Plus
- Frequency-controlled feed
- 100 % product quality
- Optimized software solutions
- Worldwide service and reliable spare parts supply

WEINIG spindles: A work of art!



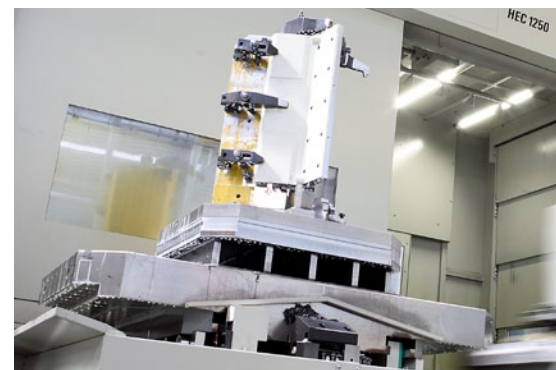
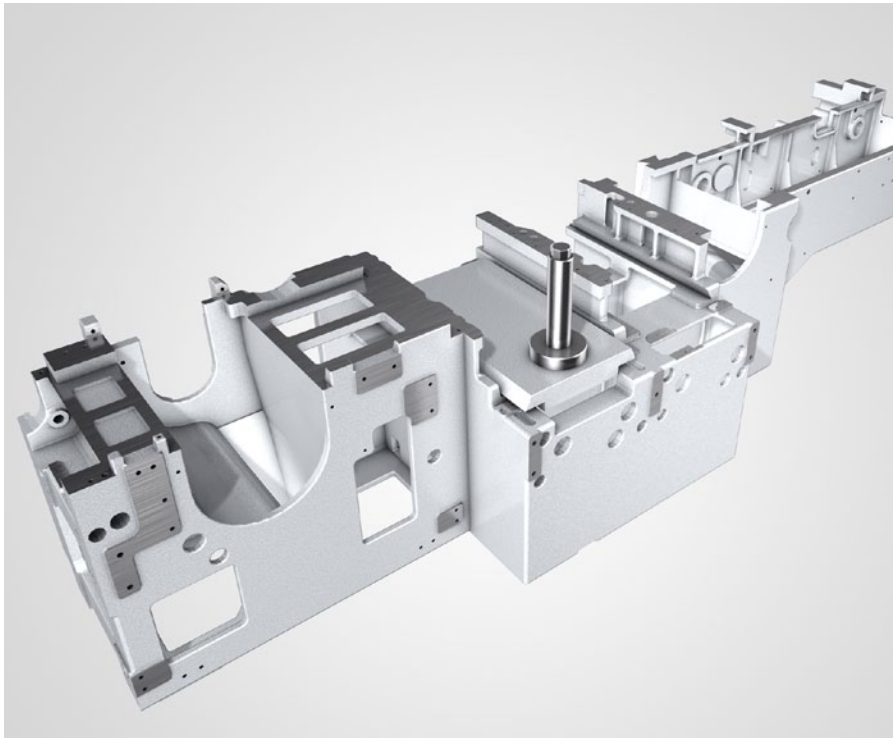
The know how of decades of intensive research and development is in each WEINIG spindle. You may think this is a lot of work to make a spindle. Trust us: the quality of the spindle is a major contribution to the life span of the machine and the surface quality of your products.

- Total concentric accuracy
- Long service life
- Carefully controlled production
- Over 700,000 WEINIG spindles in use worldwide
- 100% product quality

At the point where the knife meets the work piece for cutting is where surface quality is determined. Therefore precision tools are essential. However even the best tool needs spindles with absolute concentric accuracy. That is why the spindle is the heart of the machine. WEINIG spindles have a legendary reputation. We are proud of that and work every day to improve our core competence even further.

Each spindle from WEINIG is made with the greatest care before it is assembled, balanced dynamically and tested thoroughly by our experts.

Cast iron: The perfect start for a superior surface quality



A solid foundation ensures that your house isn't built on sand. And it's not so different with your moulder. The difference is that we have to deal with a large number of moving parts. In order to be able to produce quality, smooth running is paramount. This is why the Powermat 600 has a heavy, vibration absorbing cast iron base. This solid base allows the high quality components from WEINIG to demonstrate their superiority. The specific properties of cast iron and the stability of the machine base allow work pieces to be machined with ultimate accuracy and surface quality.

The very latest software tools are used in development (FEM/CAD-3D). The production process is monitored using leading edge measuring instruments. CNC machining in a single clamping step ensures ultimate precision.

- Heavy construction
- Minimum vibrations
- Extremely smooth running
- Superior surface quality
- Uniform cutter marks

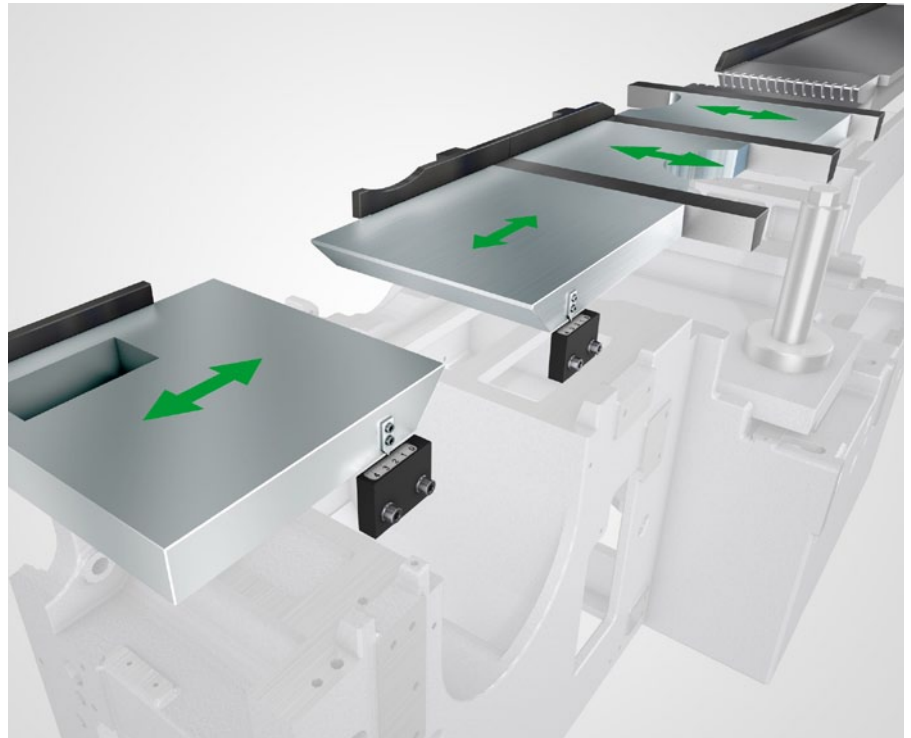
WEINIG's table plate system: The perfect solution for everything



Short, crooked work pieces are guided precisely using the proven groove guide from WEINIG. For optimum glued joints and other specific uses.

Advantages of the groove guide at a glance:

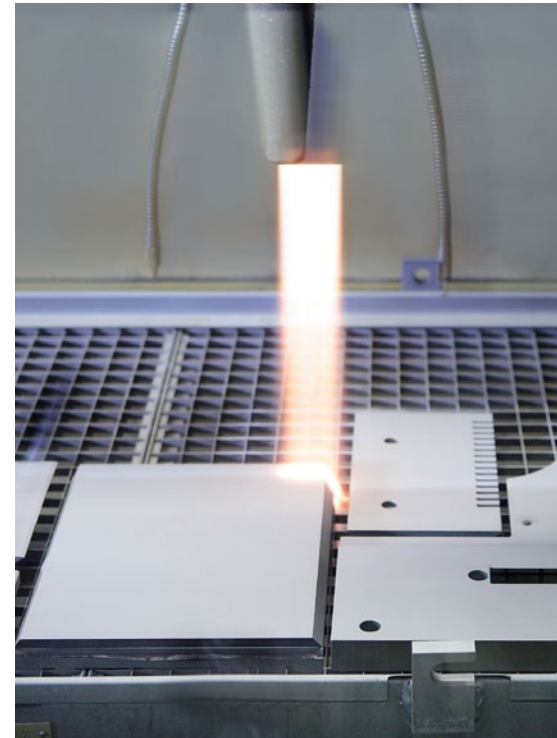
- Precise and controlled guiding through machine
- Gluable work pieces
- Reduced cutting force at the first bottom spindle
- Unaffected by the tool cutting force of the right vertical spindle



With WEINIG's table plate system you can set the table plate to the tool radius quickly and easily. Small openings are the basis for good surfaces. The position of these adjustable table components can be stored easily in PowerCom. Setup has never been so simple.

The segmentation design of the WEINIG table plate system means that the table plate can be replaced easily. Each table plate dimension is fully documented so parts can be replaced even years later.

Eco-friendly technologies: You can profit in two ways from us



We have been particularly successful in our innovative drive motors. Our new spindle motors in the energy efficiency class IE2* have a new SoftStart function and a self-learning adjusting electronic brake. This results not only in lower power consumption but also in a longer service life, reduced maintenance and greater efficiency. Measuring the motor temperature directly in the module improves diagnostic capability.

Product quality in a machine relies on the quality of the materials used. That is why we use MarathonCoating for the tables and fences on the Powermat. Its exceptional hardness and its fine structure reduces friction between table plates and work piece significantly. This prolongs the service life. Furthermore, bonding of the innovative material is much superior to chrome plating.

*All spindle motors in the energy efficiency class IE2 ("High Efficiency") in accordance with IEC 60034-30 and EUP Directive – Ecodesign – Directive 2005/32/EC incl. wear-free countercurrent brake

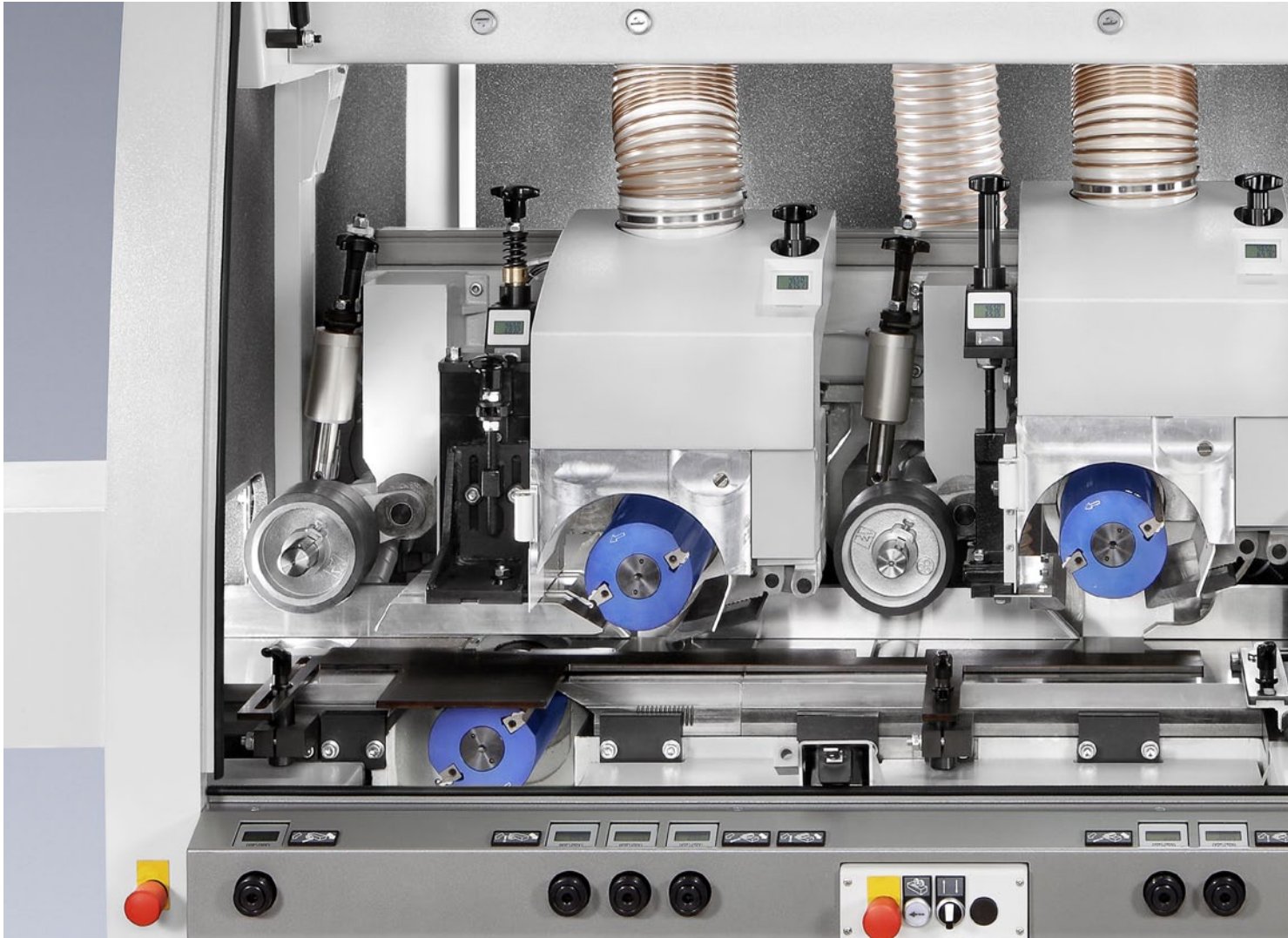
WEINIG IE2 drive motors and EMGS technology:

- Reduced energy consumption
- Avoidance of spikes
- Longer service life for motors
- Preserves belts and mechanical parts
- Better diagnostic capabilities with temperatures measured directly by a module mounted on the motor
- Electronic brake – no wear and maintenance free

MarathonCoating:

- Long service life for the table plates.
- Superior adhesion (no spalling)
- Very good corrosion resistance
- Ecologically responsible production process
- Reduced friction

WEINIG Powermat 600: The flexible high-end machine



Innumerable possibilities, packed in a user-friendly design – the top of the line version of the Powermat 600. Minimum setups times and excellent user friendliness are outstanding features of this machine. The patented PowerLock tool system and the intuitive PowerCom control maximize your advantages with ease. Productivity goes hand in hand with a high level of safety on the Powermat 600. With a wide range



PowerCom Plus

High performance machine with touch-screen control including an application for optimizing the production schedule.



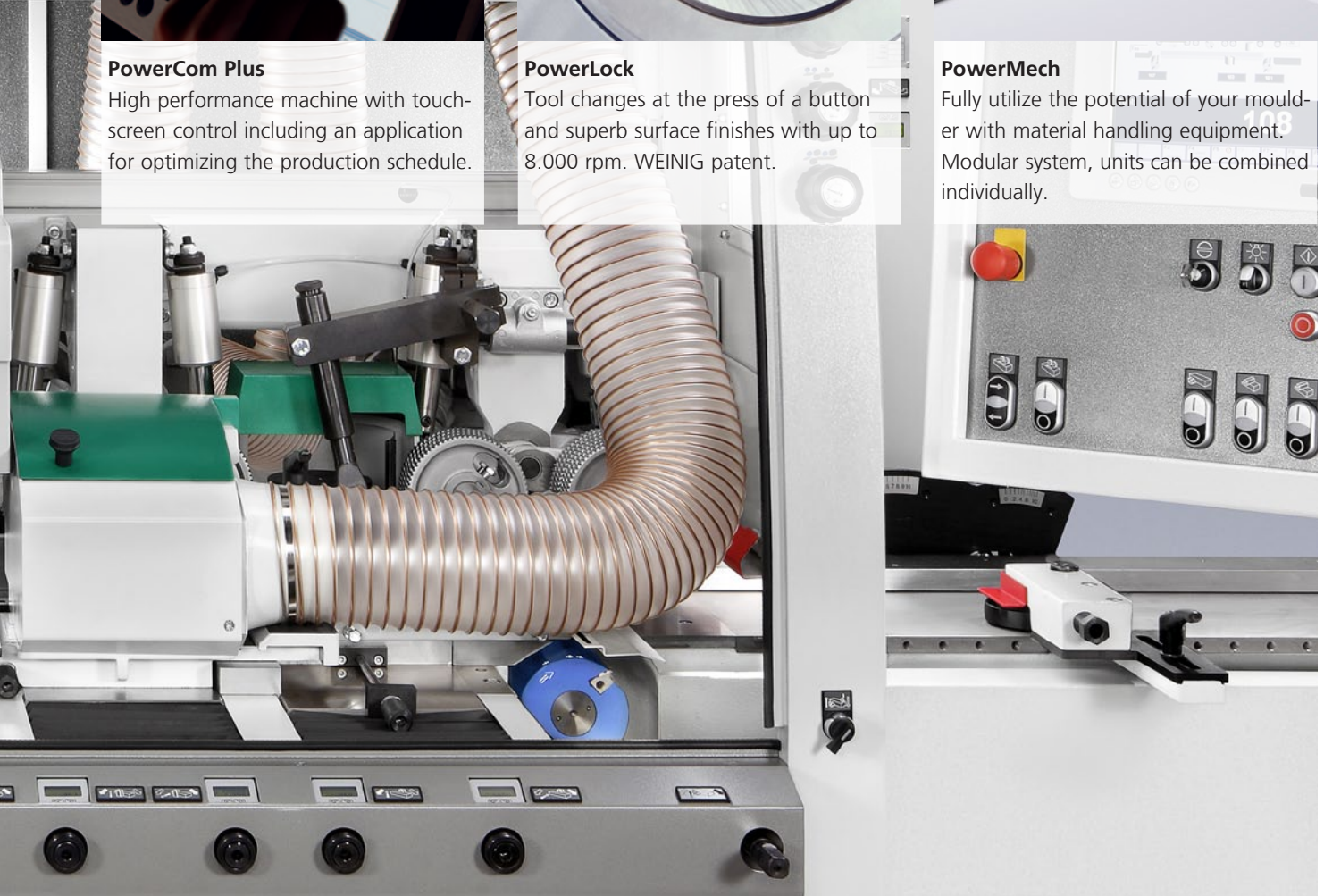
PowerLock

Tool changes at the press of a button and superb surface finishes with up to 8.000 rpm. WEINIG patent.



PowerMech

Fully utilize the potential of your moulder with material handling equipment. Modular system, units can be combined individually.



of options this flexible machine can be adapted exactly to suit your individual requirements. The PowerMech system offers you a variety of attractive components. This can make your Powermat 600 an automatic production center with maximum added value.

- PowerLock tool holders
- PowerCom Plus
- CNC-controlled with motorized positioning of tool holders
- Frequency-controlled feed speed
- Heavy cast iron base
- Working width up to 300 mm (11.81")

The WEINIG system: Organizing the machine environment



The WEINIG system enhances your Powermat 600 into a highly productive production cell. The individual components work together like building blocks to produce a fast result. From tool preparation to the set-up of your moulder. You can make your own knives and sharpen them with the Rondamat tool grinder. The advantages for you: this makes you independent so you shorten your delivery times. The OptiControl measuring system with a linked PC in your tool room will determine the tool and profile data you need. The values are automatically transferred to the PC on the moulder, which stores them and transmits them to the spindles via the PowerCom control system and motorized spindle positioning. Then simply press a button to start production of the profile. So simple, reproducible at any time and short setup times – that is production with the WEINIG system!

The control systems: Three for each individual requirement

PowerCom Plus

- Multiple machine control system
- Tool and profile management
- Up to 10,000 profiles
- Workshop system
- Production and order optimization
- User management
- Grinding room "Link" to moulder PC



EasyCom

- Work piece oriented
- Stand alone machines
- Tool and profile management
- Storing additional set-up information
- Up to 2,000 profiles
- Central control motor startup
- Control unit can be pivoted to the operating area
- Scales on adjustable components reduce set up time



Memory Plus

- Teach-in S 4 S oriented
- Stand alone machines
- Up to 500 profiles
- Profile administration



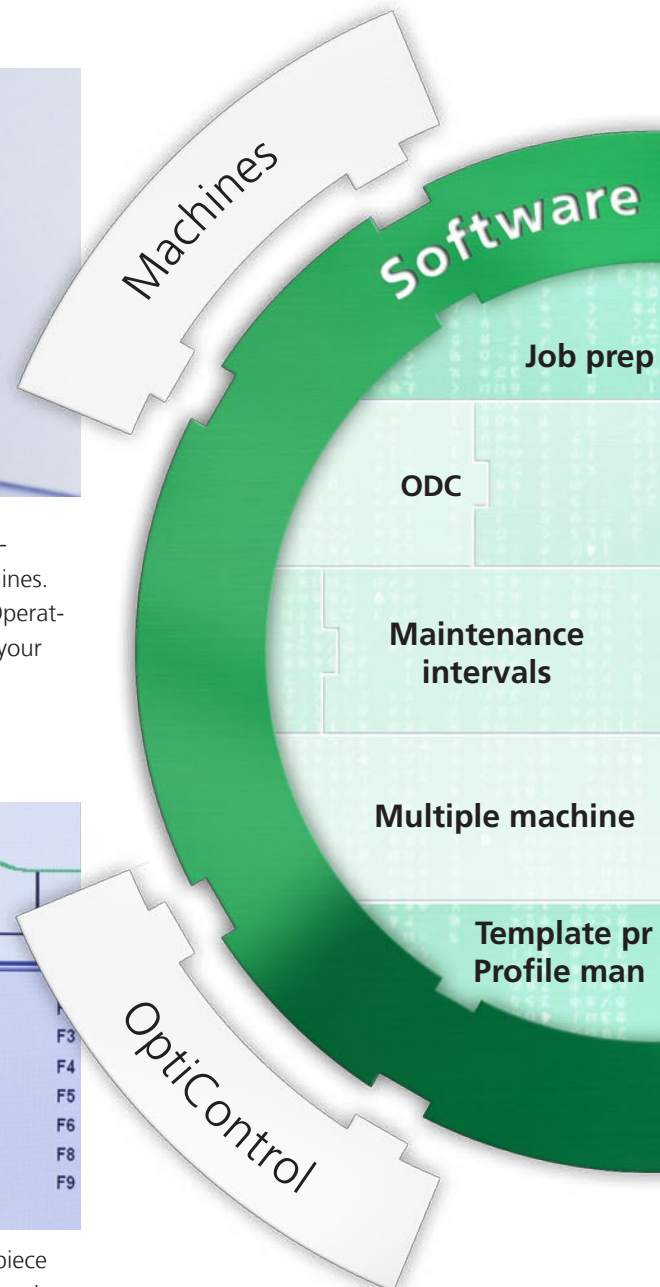
PowerCom Plus: Networked with your environment



PowerCom supplies the main information on your system at a glance. The user-friendly touchscreen control system gives you access to manage up to 15 machines. You can position any number of axes automatically at the touch of a button. Operating and machine data capture ensures first piece accuracy and repeatability of your production.

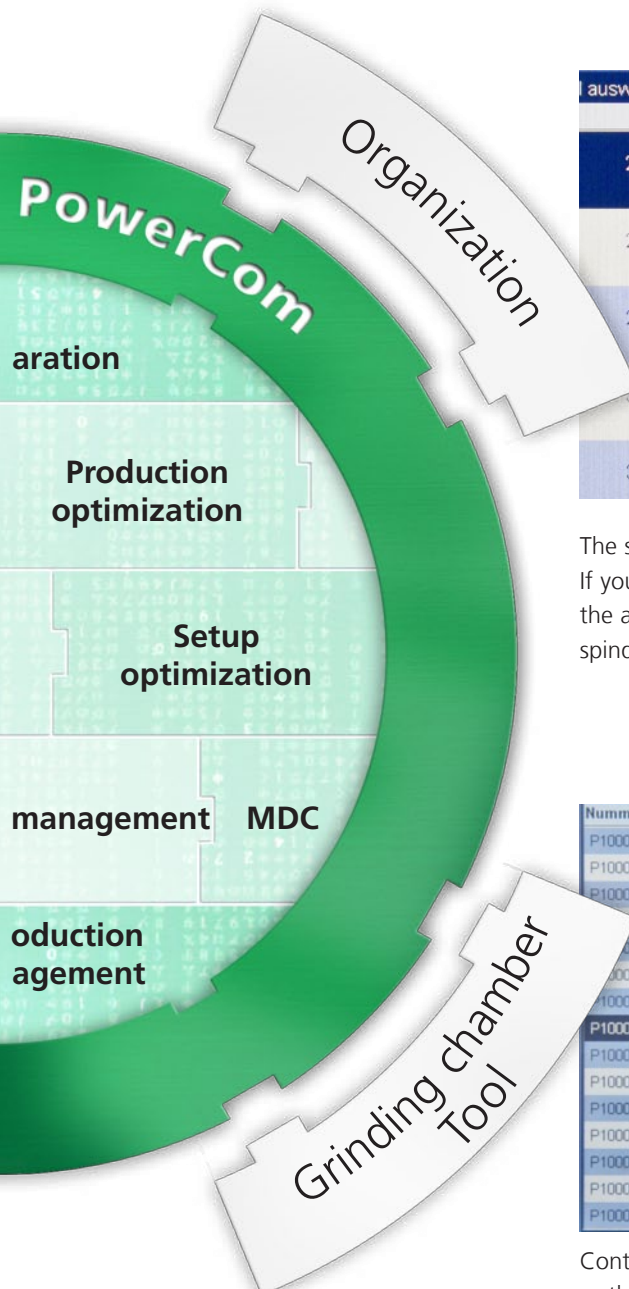


If you are measuring your tooling, you are taking a decisive step toward work piece precision and savings in setup times. OptiControl allows you to determine tool and profile measurements with ease. Data are sent on-line to the control system. This makes machine setup child's play.



ODC = operating data capture

Extremely high performance yet surprisingly simple – that is PowerCom, the top solution for management and work organization of your Powermat 600. Whether spindle data, service checks or tool measurements. Power-



auswählen				
	Symbol	Bezeichnung	Gruppe	Typ:
2090		Riffel fein unten 67/71/75 Breite: 150.00 Höhe: 25.00	0	
2130		Parkett (Feder 5 mm) Breite: 70.00 Höhe: 19.00	0	
2462		Handlauf Breite: 50.00 Höhe: 45.71	0	
3014		Verleimprofil (Treppe) Breite: 65.00 Höhe: 42.00	0	
3050		Verleimprofil Breite: 200.00 Höhe: 19.00	0	

The software enables you to manage up to 10,000 profiles and data for 10,000 tools. If you want to produce a certain profile, the data is at your fingertips for retrieval from the archive. The settings are shown on a digital display on the adjustment axes of the spindles and ensure exact reproducibility of your workpiece.

Nummer	Startzeit			
P1000	7/5/2011			
P1000	7/6/2011			
P1000	7/7/2011			
P1000	7/8/2011			
P1000	7/9/2011			
P1000	7/11/2011			
P1000	7/12/2011			
P1000	7/13/2011			
P1000	7/14/2011			
P1000	7/15/2011			
P1000	7/18/2011			
P1000	7/19/2011			
P1000	7/20/2011			
P1000	7/21/2011			
P1000	7/22/2011			

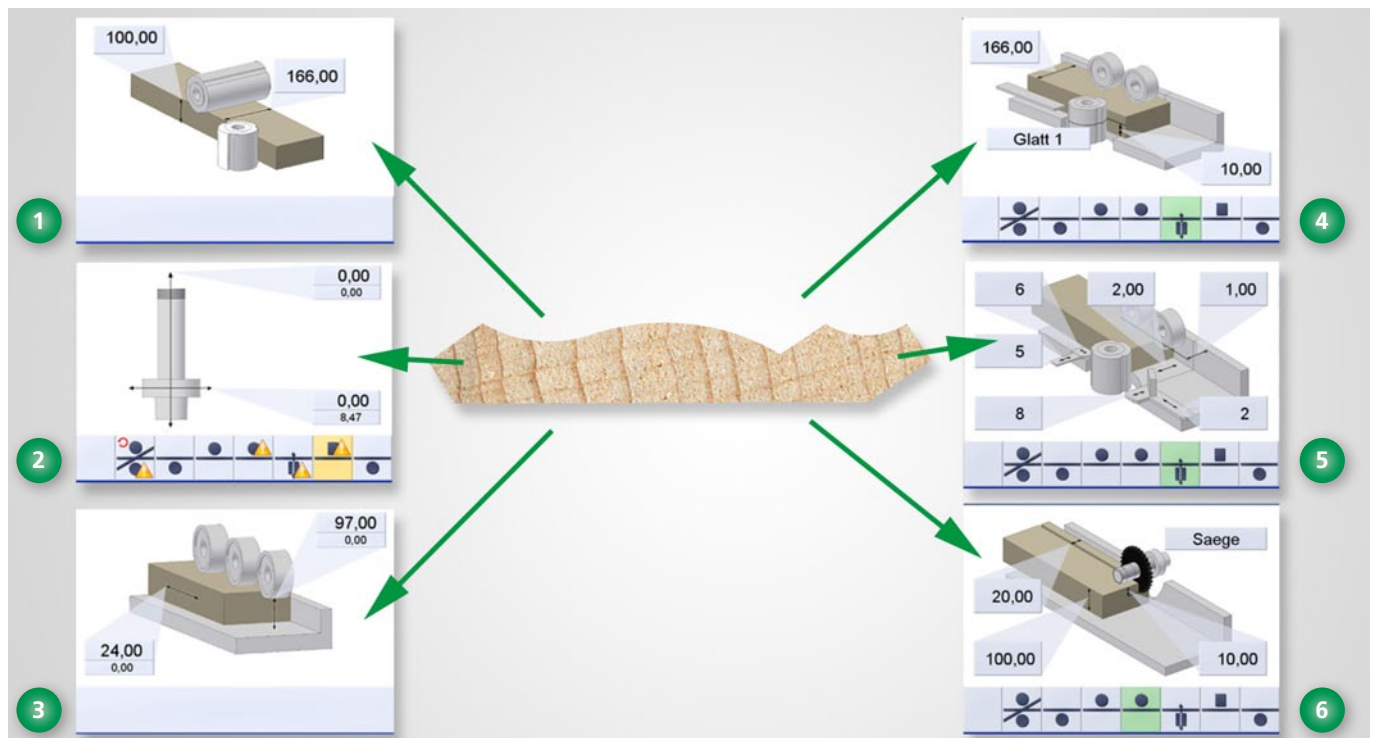
Programm Start:	7/13/2011 6:40:51 AM	
Programm Ende:	7/13/2011 4:14:20 PM	
Prog. Laufzeit:	9.56 h	
	Aktuell	Summe
Betriebsart Automatik aktiv:	0.41 h	21.03 h
Vorschub aktiv:	0.41 h	15.15 h
Laufmeter:	47.0 m	3,866.0 m

Continuous improvement of your production requires documentation of the set-up, as the first step. The PowerCom system records the operating and machine data for you. So you will always have an overview of your production and the status of your machines.

MDC= machine data capture

Com is the control center for your whole system and networks you with all components you need for perfect production.

EasyCom: Work piece-oriented user guidance

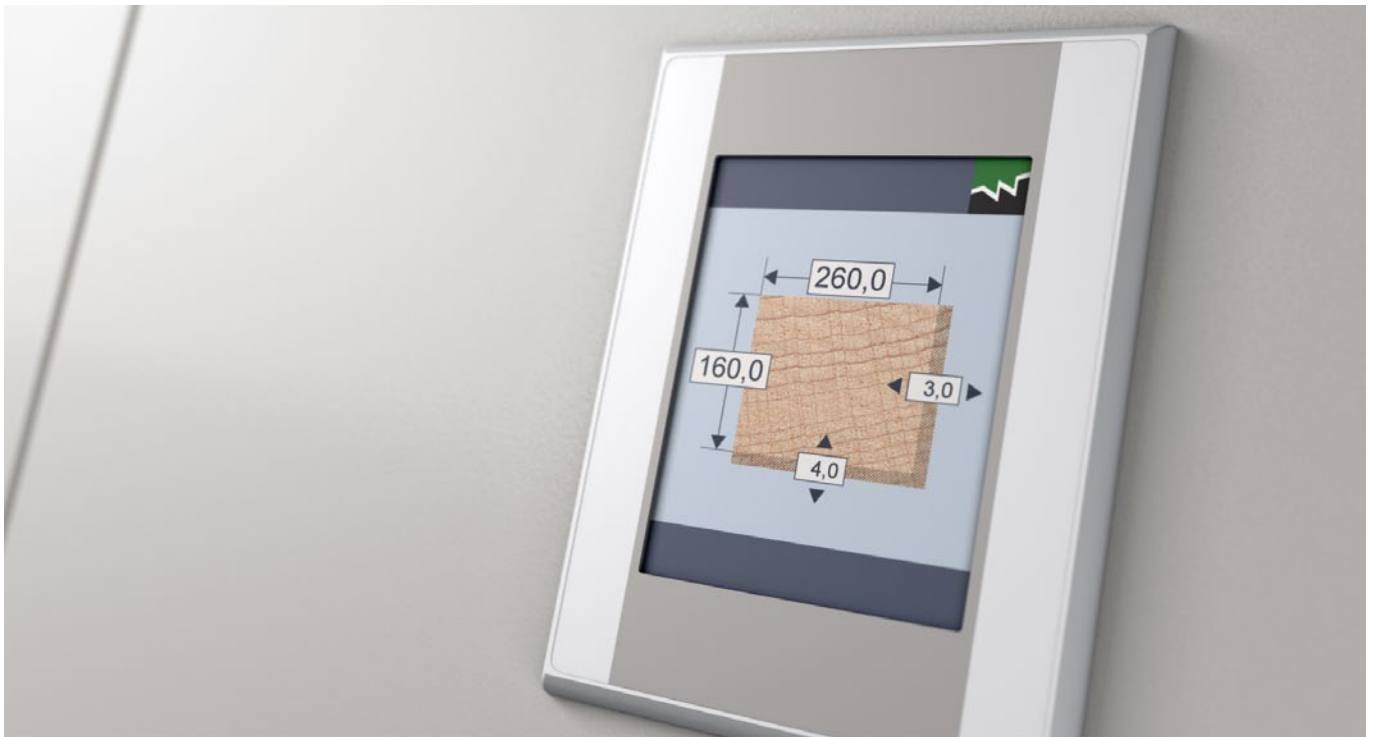


Examples of screen shots

1. Easy dimension change
2. Positioning of spindles radially and axially
3. Setting for feed height and speed
4. Positioning of the left spindle in relation to work piece width
5. Setting for table plates, pressure units and edge jointing fences
6. Positioning / activation of saws from above

EasyCom is a compact PC control system with work piece-oriented user guidance directly on the Powermat 600 and intuitive operation via touchscreen. You will be amazed how easy it is. At a glance you get clear information and understandable documentation on the current setup of your Powermat 600. The terminal can be easily pivoted to the operating area. EasyCom enables you to manage the tools on your machine, enter new tool data after sharpening and store additional settings with ease. During planing, a quick change of width and thickness can be done at the touch of a button. EasyCom increases the availability of your machine while helping you to improve work piece quality and making repeat set ups fast. Quality, delivery times and price – that's the way to win orders!

Memory Plus: Machine management in a class of its own



The software was developed specially for dimensional planing with a constant tool cutting circle. Operating the control is self-explanatory. A touchscreen with clear digital displays and unique symbols offers a high level of convenience. With Memory Plus you can set work piece dimensions as quick as a flash. Tool radii are entered on the touchscreen. Tool radii are calculated automatically when regrinding. Up to 500 Profiles can be stored in a list. A screen display provides information on the tools required for each profile. The highly flexible Memory Plus allows you to control further applications, such as a mobile spindle and separating a glazing bead.

- Lightning-fast setting of work piece dimensions
- Operation via touchscreen
- Clear presentation, tool radii entry via touchscreen
- Required tools displayed for each profile
- Tool data calculated automatically after sharpening
- Correction mode for easy-to-make settings.
- Profile list with up to 500 profiles
- Further applications:
 - Mobile spindle
 - Rounding and chamfering
 - Separating glazing
 - Storing profiles after the teach-in process

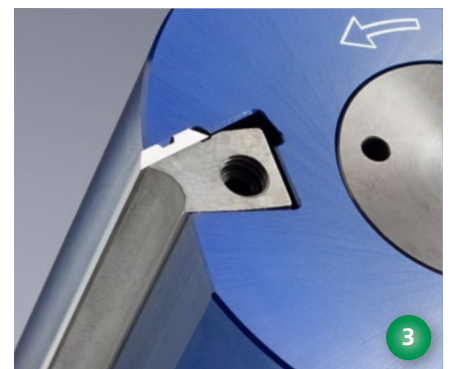
Original WEINIG tools: Quality tested top technology



1. Original WEINIG planing cutterhead type 530 with reversible knives
2. Original WEINIG profile cutterhead type 503 with clamping screws
3. Original WEINIG profile cutterhead type 533 with CentroLoc

A chain is only as strong as its weakest link. Which is why you should rely on WEINIG for your tooling requirements. We have been making cutterheads since 1980 and can offer an ideal tool solution for every application and feed speed such as conventional, hydro or Powerlock clamping systems. The knife materials HSS, stellite or carbide and cutting geometries are adapted exactly to the requirements of your material. We set standards with bore tolerances of H7 quality and G1 balance quality for the production of tool bodies. We can make you even more efficient with our Rondamat tool grinder program. The WEINIG system has only one objective: to create the conditions for you to supply superior work pieces.

PowerLock: Flexible and fast for high productivity



Long setup times cost time and money. With the patented WEINIG PowerLock system you can set up in seconds and increase your productivity compared to standard tools. Press a button to release the cutterhead, remove it, insert a new cutterhead and press a button to clamp it. That's it. The immense rigidity of the monolithic HSK system makes high RPMs possible and offers excellent true running accuracy. Even with 300 mm (11.8") working width no outboard bearing is required. All of this without compromising surface quality. Irrespective of whether you want to produce small batch or long production runs.

PowerLock is available in varying options for a wide range of cutting systems, working widths and applications. This tool system is famous the world over and is produced strictly according to WEINIG's high quality standards to ensure that it maintains its high value.

Various tools and accessory options are available on the basis of the PowerLock system:

1. Original WEINIG profile cutterhead type 538 with clamping screws
2. Original WEINIG spiral planing cutterhead type 541 with adapter bolt for tool carrier
3. Original WEINIG planing cutterhead type 536 with reversible knives



For more information,
go to film3.weinig.com

WEINIG knife grinding systems: More flexibility and independence

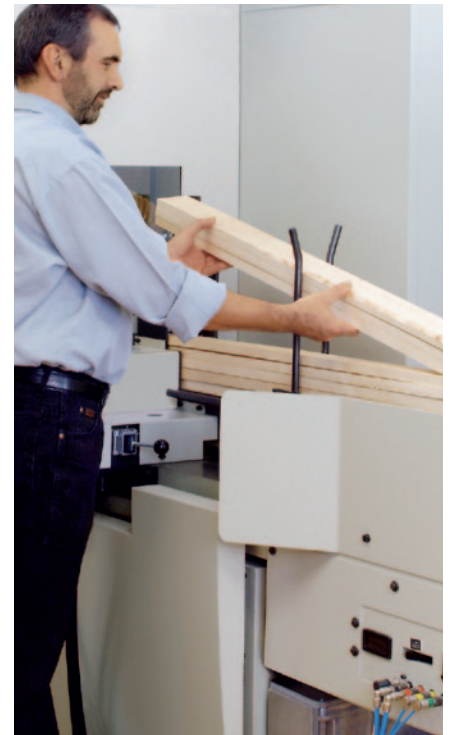
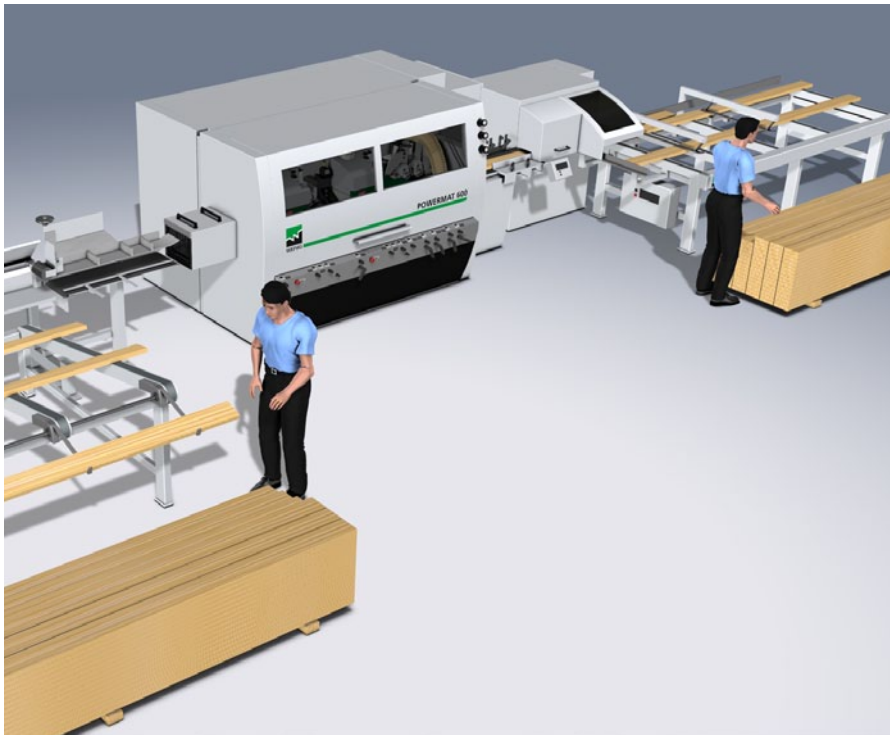


Grinding, sharpening and creating profiles with the Rondamat:

- **Rondamat 960**
Manual production and regrinding of profiling and straight knives using templates, ultimate concentric accuracy, numerous options
- **Rondamat 980**
Fully automated for regrinding straight planing knives and face grinding including finger joint knives.
- **OptiControl**
Exact measurements of tools such as planing and profiling cutterheads, solid cutterheads and sawblades. The measurements are transferred to the machine.

The Rondamat tool grinder rounds off WEINIG's production system perfectly. Producing and regrinding knives yourself make you flexible and independent. You will profit by shorter setup times and higher productivity. You can create a profile template at 1:1 scale from a drawing or an existing profile. Using this template you can profile the knife blank in a few minutes on the Rondamat. With the appropriate grinding wheels you can produce and sharpen HSS, stellite or carbide knives. The OptiControl measuring system will then determine the tool and profile data you need. The values are automatically transferred to the machine's PC, which stores them and transmits them to the spindles via the PowerCom control system.

PowerMech: Tailor-made performance



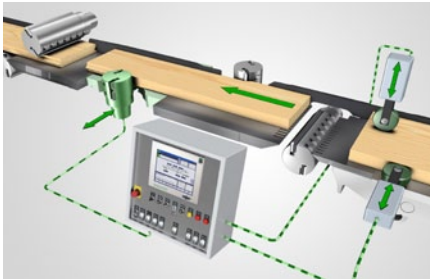
Thinking in terms of complete systems is considered in the development of WEINIG moulders right from the start. We have designed the PowerMech automation system for the Powermat 600. Everything from a single source and adapted exactly to your needs, the PowerMech modules are the key to maximum profitability and top productivity. The functional units range from an infeed or outfeed system through scanning and conveying to packing and stacking. With the high level of automation you can decide how far you want to exploit the amazing capabilities of your Powermat 600. The modular system is flexible and will grow with your needs. Whether fast throughput with less operators, linking several workstations, greater ease of use or more safety – PowerMech always offers a customized solution to fit around your Powermat.

The PowerMech system performs many tasks upstream or downstream of your Powermat 600:

- Destacking
- Feeding
- Buffering
- Visual grading
- Sorting
- Stacking packs
- Transporting
- Packing

...and much more

Useful options: A clever decision



The mobile spindle

When processing rough material of varying widths, e.g. for edge glued wood panels, stairtreads or cabinet doors, the mobile spindle from WEINIG is an excellent choice. The all-rounder takes measurements automatically, adjusts to the corresponding width and processes the work piece in one cycle with maximum material yield. It is operated via the control system of your Powermat 600.



For more information,
go to film4.weinig.com



The chamfering unit

is intended for use when you want to chamfer work pieces on all 4 corners without the need for an additional spindle. No tool change is needed when changing from chamfered to non-chamfered work pieces!

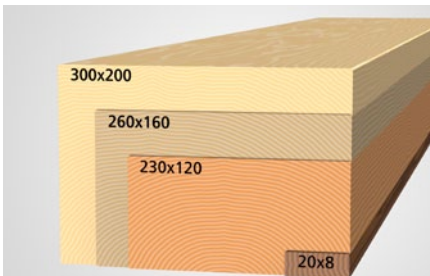


For more information,
go to film5.weinig.com



Table plate with riving knife

The table plate with riving knife improves the jointing effect and stabilizes the work piece, especially short and narrow parts.



Varying working widths

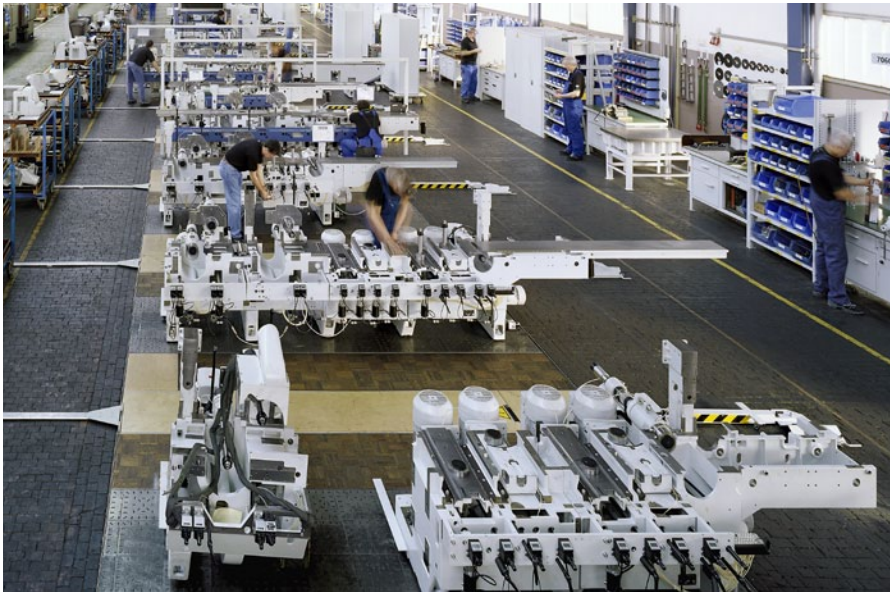
Irrespective of whether you are producing stiles and rails or mouldings. Your Powermat can be suited to small and large dimensions. Thanks to the PowerLock system no outboard bearing is needed for working widths up to 300 mm (11.81").



Reduced feed roller spacing

in the area of the top tool holder, including additional feed rollers after the top tool holder and in the area of the right tool holder. Even short work pieces can be conveyed individually through the machine.

WEINIG quality: The sum of many properties



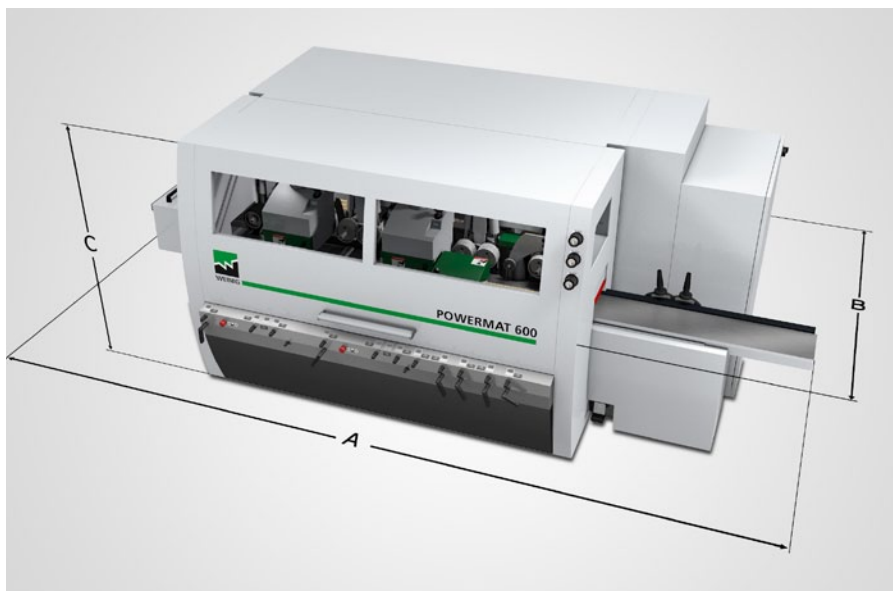
Not many companies succeed in becoming a brand. WEINIG has succeeded in doing so. Trust plays a central role here. And the ability to prove this trust on a daily basis with our customer. We do this with quality. From product development to our supply of spare parts, from materials used to our world-wide service network. Based on employees noted for their expertise and passion for the product. Utmost care in assembling machines is part of this, as is continuous training. In order to maintain WEINIG's high standards we focus on vertical integration and independent quality management. Based on the world famous kaizen method, our production undergoes a continuous optimization process.

But WEINIG quality also means aligning production for the future with open machine systems, energy efficiency and sustainability. All these characteristics blend to create a product praised by our customers around the globe as outstanding. We call it 100% WEINIG quality.

Technical data

WEINIG planers and moulders offer a variety of spindle configurations. This means they can be specified perfectly to your particular application. The spindle sequences shown do not cover all options offered by our flexible systems by any means. Your WEINIG expert will be happy to advise you.

Please note: The dimensions given here are the values for a standard machine. Other configurations are possible with options such as improved sound insulation, a longer straightening table or modified position of the control cabinet, for example.



017

A = 3.620 mm (142.5"), B = 1.840 - 2.140 mm (72.4" - 84.2"),
C = 1.650 mm (65")



018

A = 4.150 mm (163.3"), B = 1.840 - 2.140 mm (72.4" - 84.2"),
C = 1.650 mm (65")



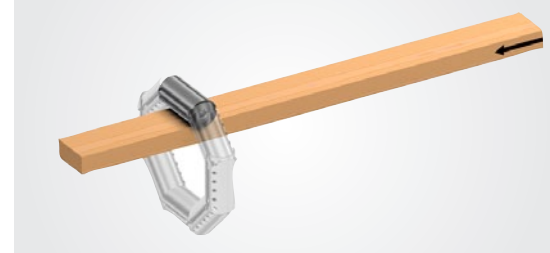
019

A = 4.040 mm (159"), B = 1.840 - 2.140 mm (72.4" - 84.2")
C = 1.650 mm (65")



012

A = 4.570 mm (180"), B = 1.840 - 2.140 mm (72.4" - 84.2"),
C = 1.650 mm (65")



A = 780 mm (30.71")

Universal spindle

A useful addition for the production of complex profiles in one pass. Can be used in a wide range of applications and combined with other spindle configurations.

Standard models and options

Working height min./max.	8/120 mm (0.31-4.72")
Working width min./max.	20/230 mm (0.78"-9.05")
260 mm (10.23") working width	○
160 mm (6.3") working height	○
300 mm (11.8") working width without outboard bearing in combination with the PowerLock (only spindle illustration 017)	○
6,000 rpm	●
8,000 rpm (only in combination with a PowerLock tool holder)	○
Memory Plus	●
EasyCom	○
PowerCom Plus	○
Electronic read-outs on spindle radial and axial, chip breaker and pressure shoe	●
CNC-controlled axis adjustments including feed beam and universal spindle	○
Receding chipbreaker, pneumatic	○
Max. Horizontal tool diameter (not first bottom)	200 mm (7.87")
Max. Vertical tool diameter	200 mm (7.87")
PowerLock tool holders	○
Universal tool holders	○
Frequency-controlled feed speed (standard)	5 - 30 m/min (16.4-98 FPM)
MarathonCoating for machine tables	○
Max. motor power on vertical spindle (standard option)	5.5 - 15 kW (7.5-20 HP)
Max. motor power on horizontal spindles (standard option)	5.5 - 15 kW (7.5-20 HP)
Improved sound enclosure	○

● Standard ○ Option

Subject to technical alterations. The statements and pictures provided in this brochure also include optional equipment that is not included in standard delivery. Some protective covers were removed for photographing.

WEINIG service: Very close to customers



- Subsidiaries in all continents of the globe
- Local WEINIG expert who speaks your language
- Mobile team of over 300 service technicians
- Spare parts via the hotline
- Professional advice by specialists via the hotline
- 6 day service
- Individually tailored training program
- Service agreements on request
- International ExpoCenter
- Financing to suit your needs

Customer relations are good. But we have a better word for it: WEINIG service. Supported by people who want to share their enthusiasm for wood with others. And when experts start talking together, a solution is not far away. This is why WEINIG service focuses on dialog with you, on outstanding training and a local support presence. The global WEINIG service network is so densely spread like no other in the sector. For you this means easy communication in your own language and rapid help. Whether by telephone or by a technician on site. We are here for you when you need it. You can order any spare part you need via the hotline for rapid delivery - even old models. You will be advised in detail by a professional WEINIG expert in your country. In our individually tailored training programs you can find out how to exploit the capabilities of your machine to the fullest extent. Our specialists are always open for your production tasks.



For more information,
go to film6.weinig.com



MICHAEL WEINIG AG
Weinigstrasse 2/4
97941 Tauberbischofsheim
Germany

Telephone +49 (0) 93 41 / 86-0
Fax +49 (0) 93 41 / 70 80
Email info-profiling@weinig.com
Internet www.weinig.com