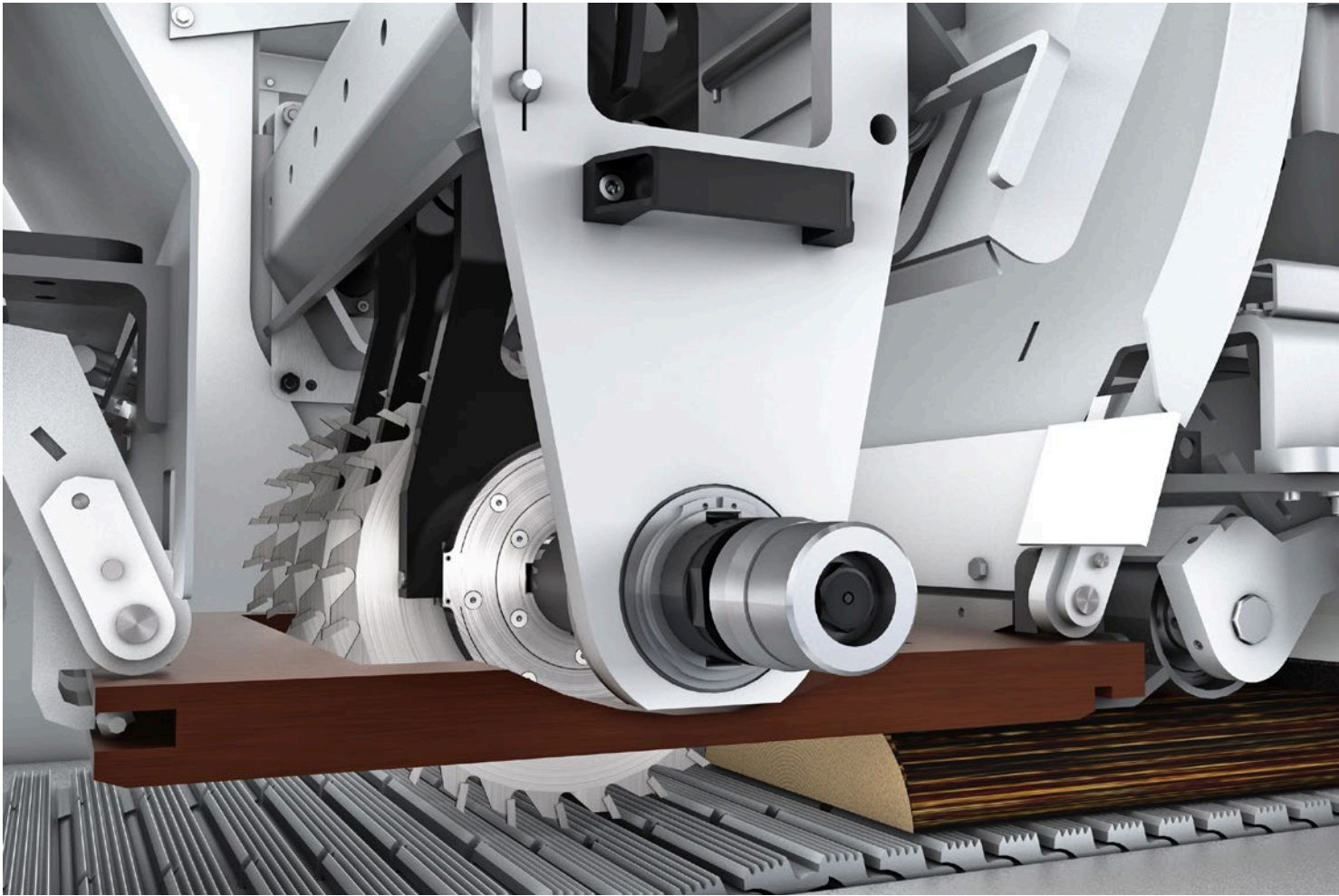


# PROFIRIP 450

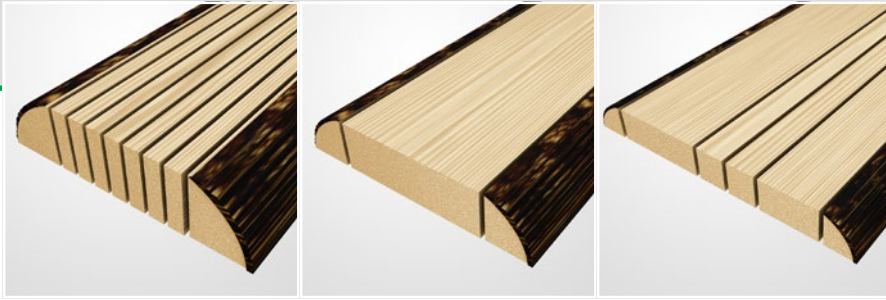
The benchmark for performance, flexibility and timber yield



# The new ProfiRip 450: The fast and simple way to maximum productivity

Ripping to width is of key importance in solid woodworking because rip optimising means minimising costs. Whether producing moulder blanks or planed lumber or ripping for glued-up panels, ProfiRip provides highest productivity and yield. User-friendly, minimal changeovers, fastest return on investment. ProfiRip is available as a multi-rip saw or as an optimising ripsaw with movable blade technology. The versatile application possibilities make ProfiRip saws ideal for any facility – from interior trim to furniture manufacturers, from solid wood panels to saw mills.





Providing more flexibility and intelligent system solutions are our main goals, and ProfiRip delivers. Our system components offer you reliable, continuous high performance. In addition to our standard machines, we deliver custom-made solutions for every performance class. Your ProfiRip can easily be integrated into a high performance system.



### Highlights

- Optimal cutting quality
- Glue-joint cut
- Highest productivity and economic efficiency
- Wide range of applications
- Excellent operating convenience
- Optimal for integration in system solutions
- Robust, durable design
- Maximum operator safety

# The right feed system for your application:

Two feeding concepts are available to perfectly match the ProfiRip with your requirements. The long established WEINIG feed chain is first choice when it comes to highest cut quality. Nothing compares to the precision of the double prism-guided chain.



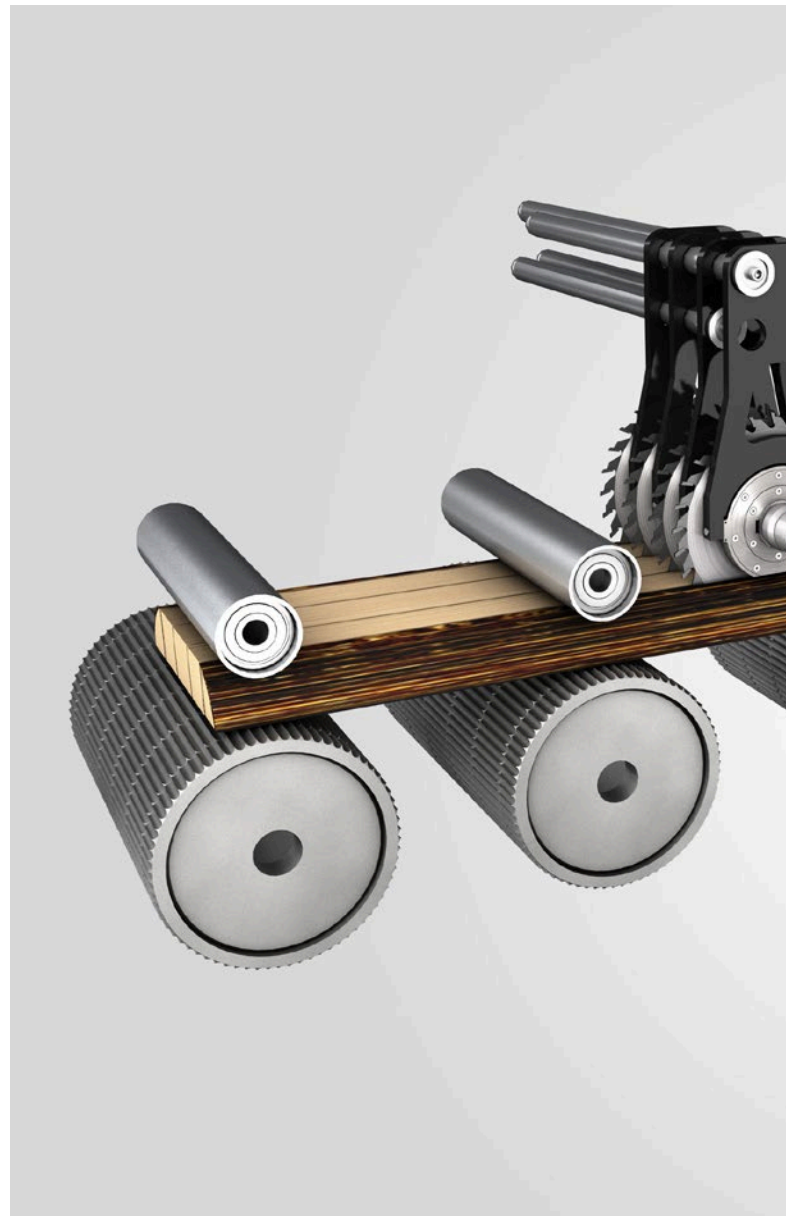
## Chain feed system

Prism guided. Nothing is more precise. The proven WEINIG System guarantees best possible cut quality up to a direct glue-joint cut.



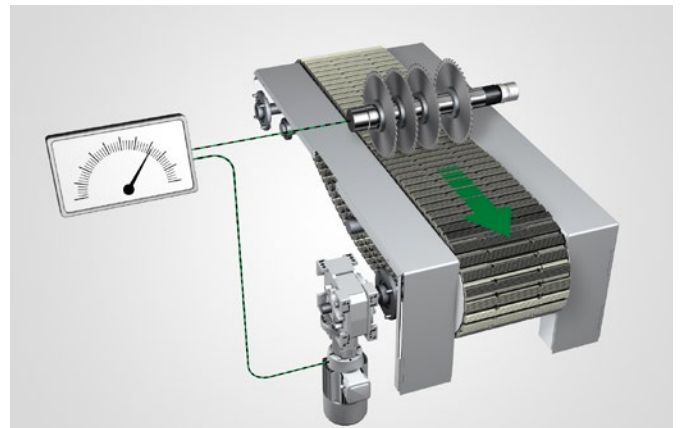
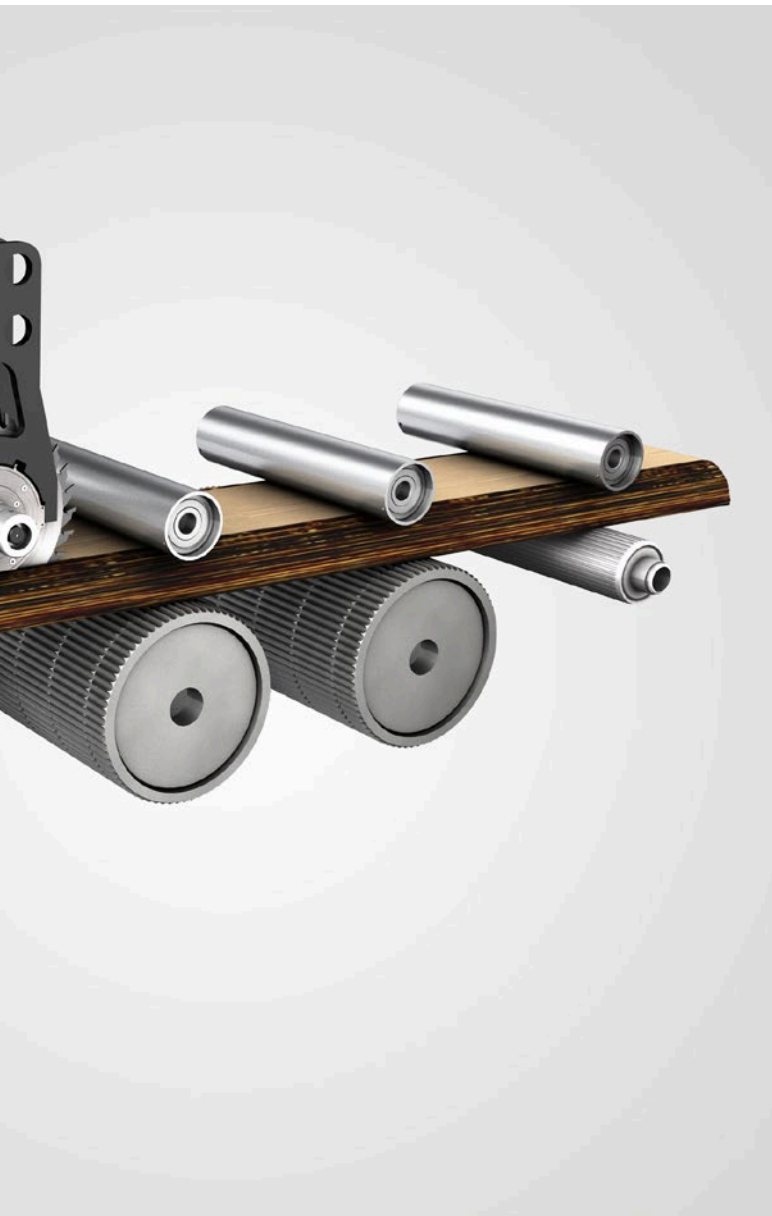
## Infeed roller driven

Pulls the board into the machine. Feeding a rip saw has never been that easy.



# Chain for highest precision, rollers for speed

Alternatively the ProfiRip can be equipped with large feed rollers which allow feed speeds up to 160 metres per minute. 20 boards per minute and more are no problem. Maximum grip on the board is ensured by a specially developed fluted design of the rollers.



## **SpeedControl**

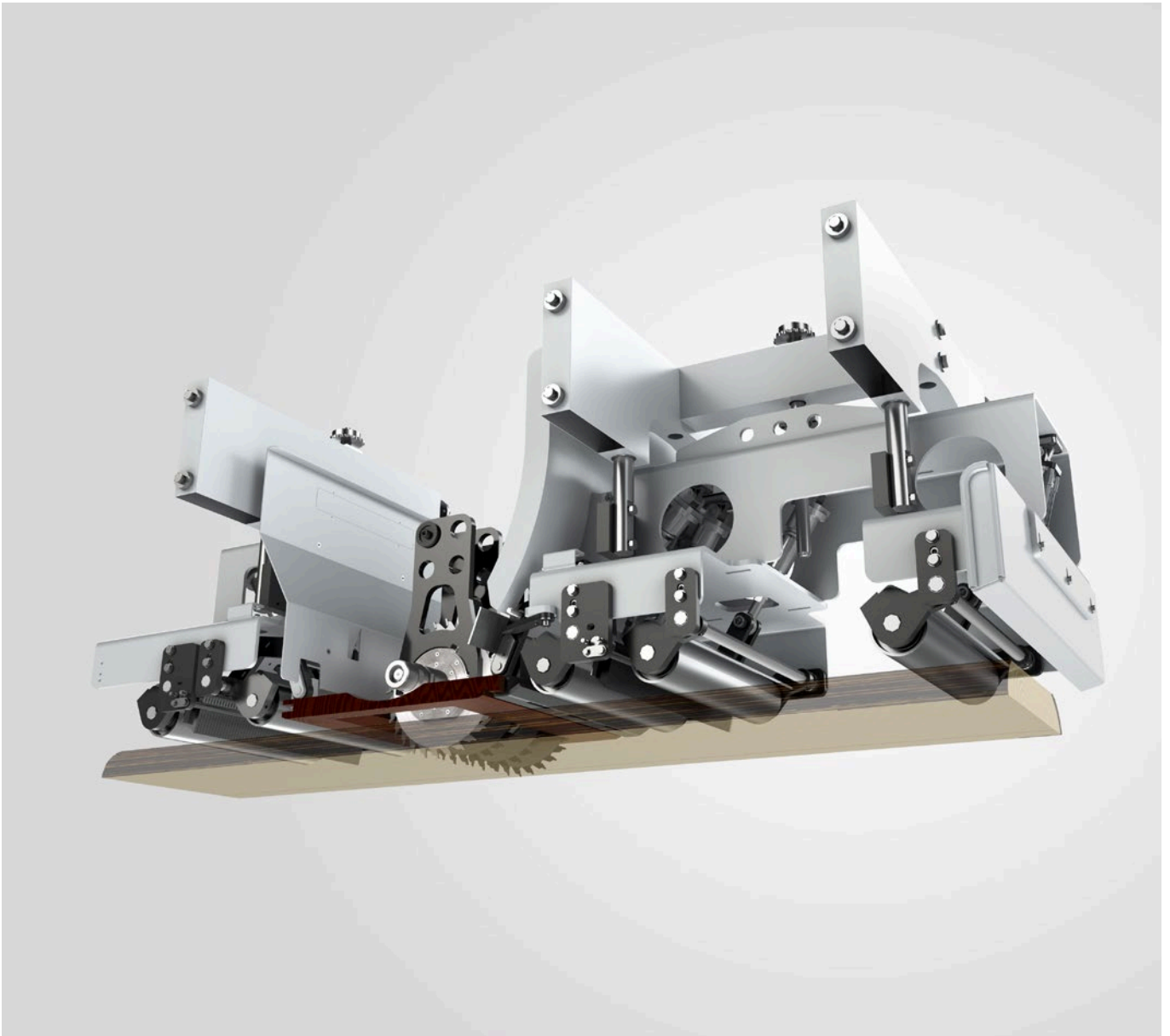
Monitors the power consumption of the main motor and reduces the feed speed if necessary. You are always on the safe side.



## **Outfeed roller driven**

Pulls all material reliably out of the machine. In combination with material handling available with a pneumatically controlled upper pressure roller.

# The pressure unit: Everything under control



The newly developed pressure unit equips you perfectly for difficult tasks. Big, massive pressure rollers fix the timber reliably on the transport chain or the transport rollers. The adjustable, pneumatic top pressure provides for optimum force distribution. This guarantees absolutely precise material guidance even with heavy and twisted timbers. An additional pressure board increases the cut quality of machines with transport chain - up to a direct glue-joint cut.

## Quickfix: Minimal set-up times



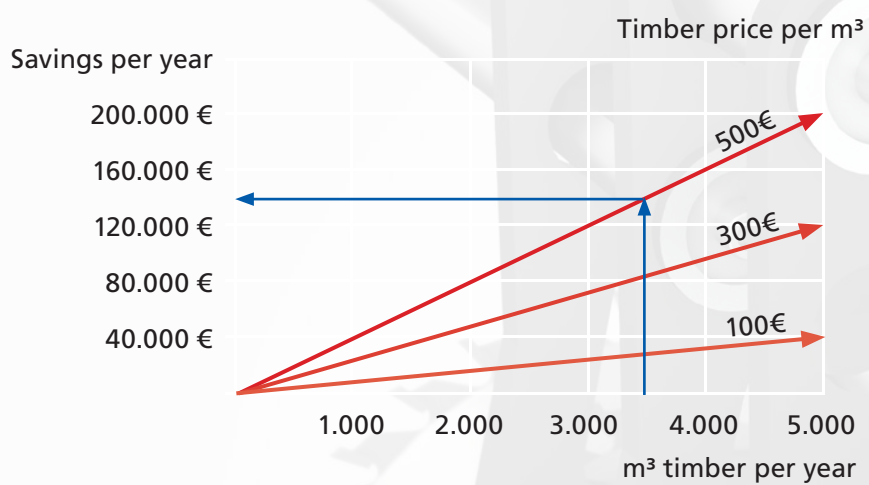
The patented Quickfix fast-release system makes retooling easy and convenient. Everything is done in the shortest possible time: Release hydraulic pressure, insert wood samples. Shift saw blades on the arbour, apply hydraulic pressure. Done. Without any sleeves, spacers or tools.

## SafetyPlus: Maximum operator safety

SafetyPlus guarantees maximum operator safety. The patented Kevlar and polyurethane protection concept complements the conventional types of kick-back protection. The hazard zone is optimally sealed.

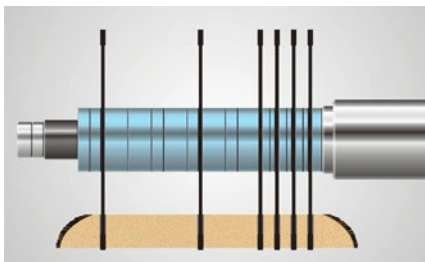
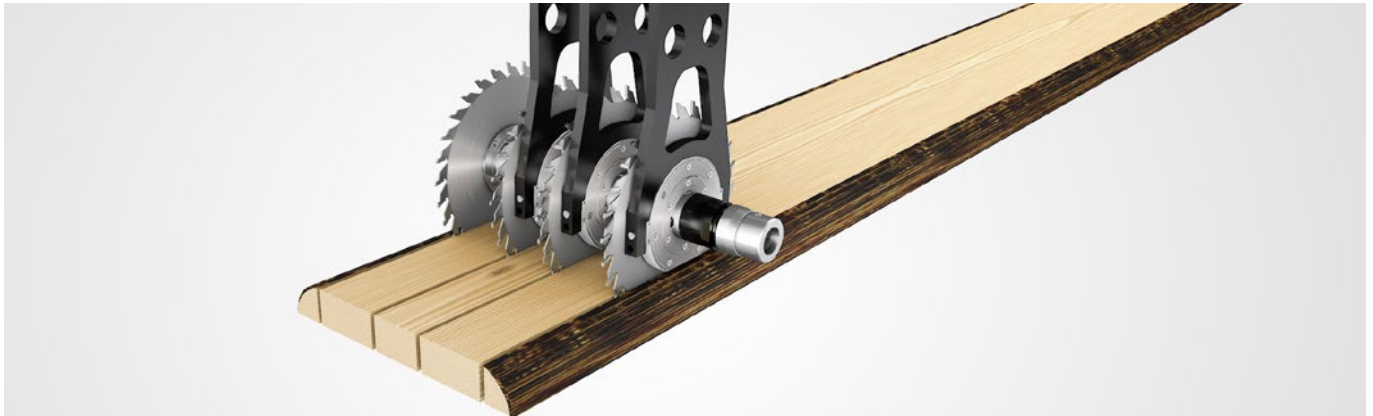


## Potential savings thanks to moving blade technology

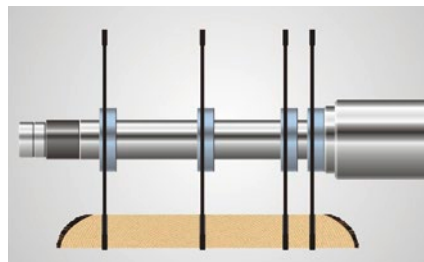




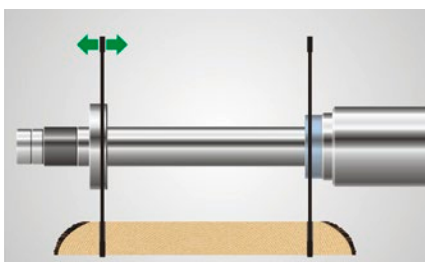
# Moving blade technology: Unlimited flexibility



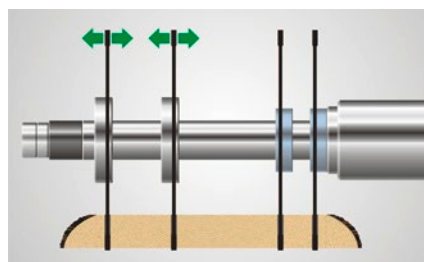
Sleeve with spacers



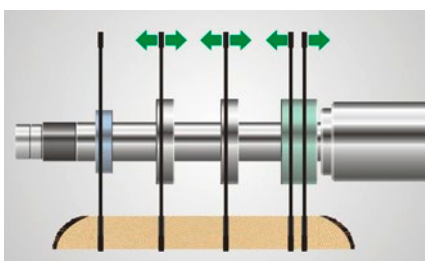
Quickfix clamping flanges



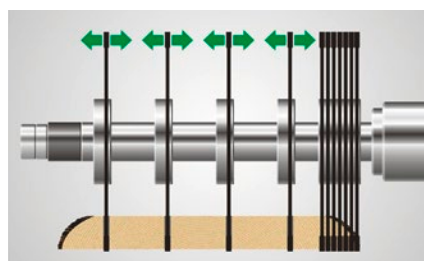
1 movable bushing



2 movable bushings with 2 fixed saw blades (Quickfix)



3 movable bushings  
(1 as moving pocket)



4 movable bushings with a fixed hogger blade

With a conventional fixed arbour setup, varying board widths and qualities lead to loss of material in the range of 8% on average. By contrast, the moving blade technology of the RaimannLine ensures that the raw material is used efficiently.

With up to four movable saw blades you adapt your ProfiRip individually to any board. Due to this optimised timber yield, material and storage costs are reduced significantly. Timber optimisation is equal to cost minimisation.

Moreover, the virtually unlimited number of possible combinations of fixed and movable saw blades increases the flexibility of your production and thus facilitates just-in-time and small-batch production.



## ProfiCut Direct

The ProfiCut Direct control system is the foolproof way to a higher timber yield. It also offers many functions which can be performed conveniently via a touch screen or joystick:

- Cutting list entries and statistics for easy production planning
- Selection of:
  - Variable widths, e.g. for edging
  - Fixed dimensions, e.g. ripping widths according to a cutting list
- RipAssist – easy, automatic width optimising
- Machine diagnostics and the modification of parameters for effortless maintenance

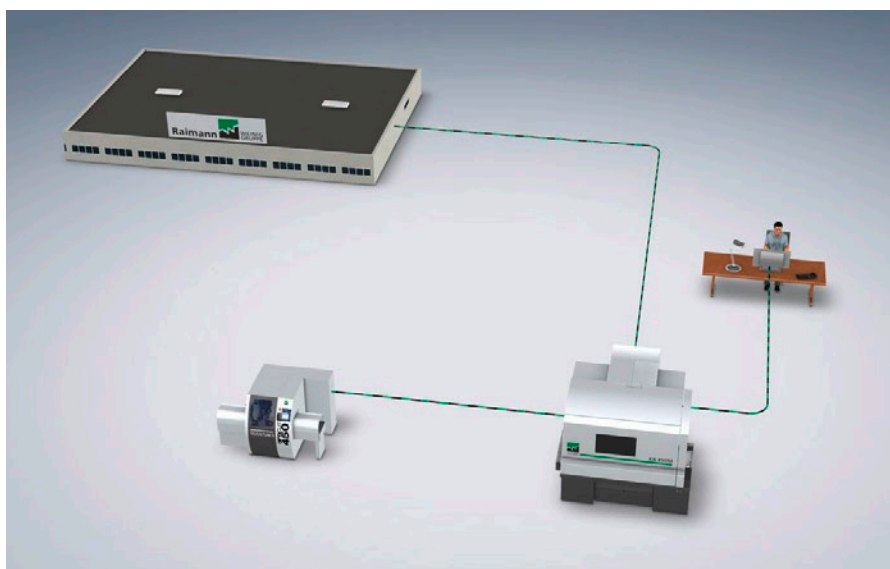


# TimberMax 3.0: The way optimising works today



With TimberMax 3.0 you get the maximum out of your raw material. No matter if you go for width optimising only or if you want to take care of timber qualities also. TimberMax 3.0 calculates the best rip pattern for every single board. The positioning of the movable blades is done automatically.

# RaiNet: The tool for networked production

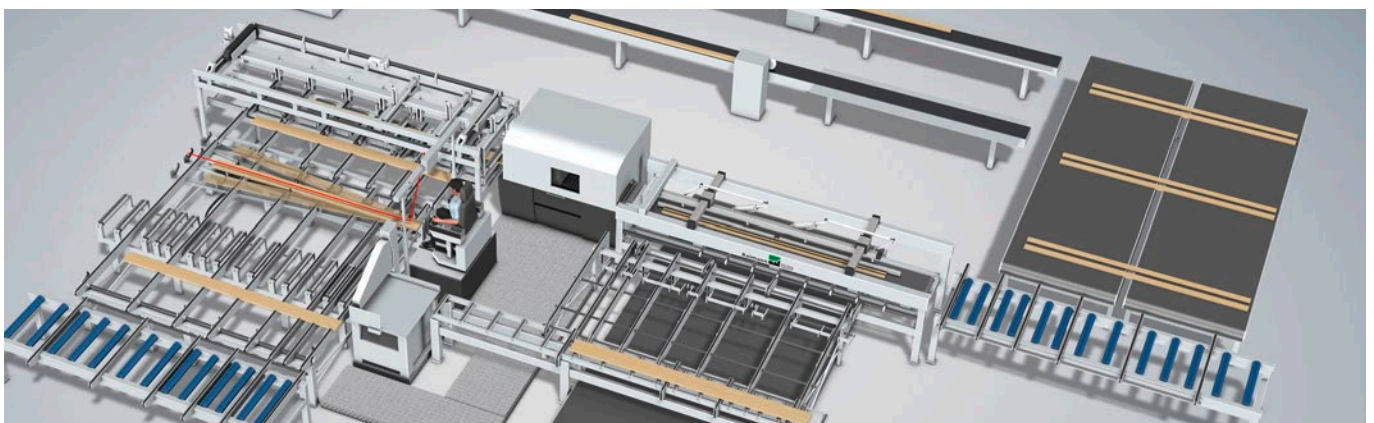
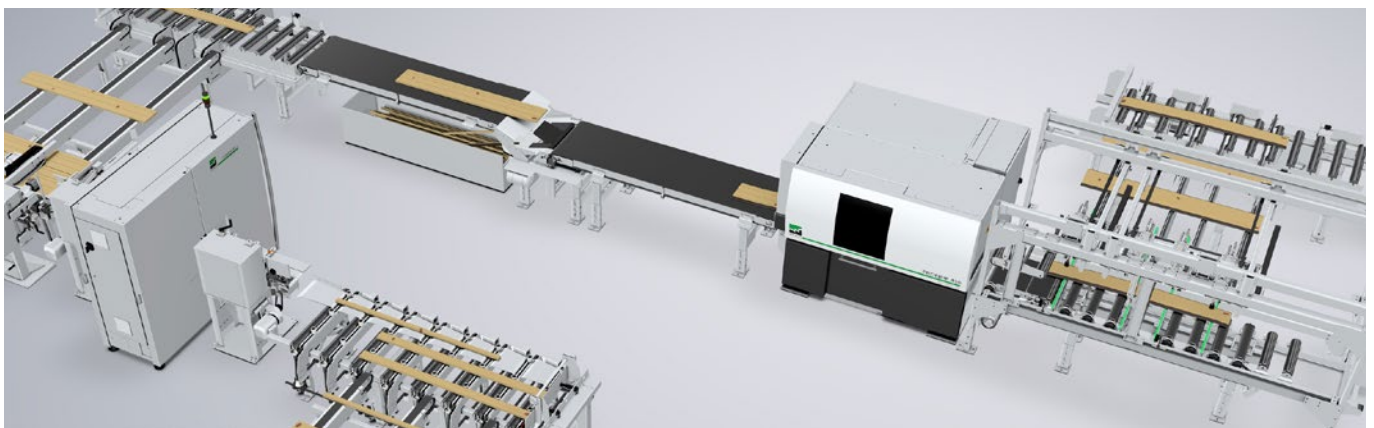
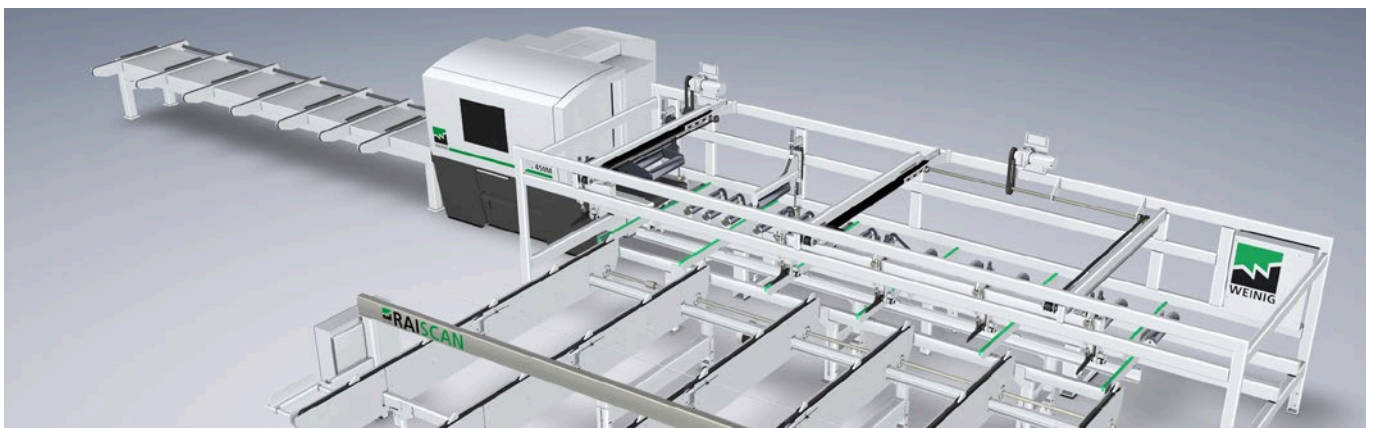


In modern production facilities, more and more activities get shifted towards the office. RaiNet integrates your Profi-Rip into a networked production. It is a high efficient interface allowing you to enter cut lists and read out statistics. Additionally, cut lists can be communicated dynamically from a WEINIG optimising cross cut saw. RaiNet also enables efficient online-service provided by our factory specialists. RaiNet saves you time and money.

# System solutions for your success!

## WEINIG offers the complete package

We provide economical system solutions around your gang rip and optimising rip saws. Our components are modular and scalable. You get reliable continuous performance at the highest stage. This is the only way to tap the full potential of your machines and to achieve highest performance together with maximum timber yield.



# Overview table ProfiRip 450: Standards and options

The matrix shows the important technical features of the ProfiRip 450. The WEINIG expert for the RaimannLine will gladly provide you with more detailed information. Specifications stated in ( ) optional.

	<b>ProfiRip 450</b>	<b>ProfiRip 450 Speed</b>
Max. cutting width	450 mm	450 mm
Feed system	Chain	Rollers
Chain-/ roller width	470 mm	500 mm
Number of movable saw blades	max. 4	max. 4
Max. outlet width	800 (1.300) mm	800 (1.300) mm
Cutting height with fixed saw blades (w/o pressure board)	160 mm	160 mm
Cutting height with movable saw blades (w/o pressure board)	150 mm	150 mm
Min. timber length	500 mm	900 mm
Feed speed	10 - 50 (8 - 80) m/min	16 - 160 m/min
Motor	22 - 75 kW	22 - 75 kW
Number of pressure rollers	5	4
Saw blade diameter min./max.	300 (250) - 450 mm	300 (250) - 450 mm
Weight	4.500 kg	4.800 kg
Dimensions: length x width x height	2,3 x 2,3 x 1,9 m	2,3 x 2,3 x 1,9 m
Working height	850 mm	850 mm
Dust extraction diameter	300 mm	300 mm
Required dust extraction speed	30 m/sec	30 m/sec
Required dust extraction volume	7.630 m <sup>3</sup> /h	7.630 m <sup>3</sup> /h
Noise emission at the machine in idle motion / in operation *	LpA = 78 / 82 dB(A)	LpA = 78 / 82 dB(A)
Sound volume in idle motion / in operation *	LwA = 96 / 100 dB(A)	LwA = 96 / 100 dB(A)
Pneumatic pressure unit	●	●
ProfiCut Direct controls (moving blades only )	●	●
RipAssist	○	○
TimberMax 3.0	○	○
RaiNet	○	○
Quickfix incl. 4 clamping flanges	○	○
Spikes	○	--
Rubber inserts	○	--

● Standard    ○ Option

\* according to EN 1870-4 and ISO 7960 annex Q; uncertainty constant value K = 4 dB(A)

Subject to technical modification. Statements and pictures in this brochure may also include optional extras which are not included in the standard serial equipment. Some of the photos show the machine with the protective covers removed.

# WEINIG quality: The sum of many properties



Not many companies succeed in becoming a brand. WEINIG has succeeded in doing so. Trust plays a central role here. And the ability to prove this trust on a daily basis with our customer. We do this with quality. From product development to our supply of spare parts, from materials used to our world-wide service network. Based on employees noted for their expertise and passion for the product. Utmost care in assembling machines is part of this, as is continuous training. In order to maintain WEINIG's high standards we focus on vertical integration and independent quality management. Based on the world famous kaizen method, our production undergoes a continuous optimization process.

But WEINIG quality also means aligning production for the future with open machine systems, energy efficiency and sustainability. All these characteristics blend to create a product praised by our customers around the globe as outstanding. We call it 100% WEINIG quality.

# WEINIG service: Very close to customers



Customer relations are good. But we have a better word for it: WEINIG service. Supported by people who want to share their enthusiasm for wood with others. And when experts start talking together, a solution is not far away. This is why WEINIG service focuses on dialog with you, on outstanding training and a local support presence. The global WEINIG service network is so densely spread like no other in the sector. For you this means easy communication in your own language and rapid help. Whether by telephone or by a technician on site. We are here for you when you need it. You can order any spare part you need via the hotline for rapid delivery - even old models. You will be advised in detail by a professional WEINIG expert in your country. In our individually tailored training programs you can find out 'how to exploit the capabilities of your machine to the fullest extent. Our specialists are always open for your production tasks.

- Subsidiaries in all continents of the globe
- Local WEINIG expert who speaks your language
- Mobile team of over 300 service technicians
- Spare parts via the hotline
- Professional advice by specialists via the hotline
- 6 day service
- Individually tailored training program
- Service agreements on request
- International ExpoCenter
- Financing to suit your needs

# PROFIRIP 450

---



## **Product Unit Cutting**

RAIMANN HOLZOPTIMIERUNG  
GMBH & CO. KG  
Weisserlenstrasse 11  
79108 Freiburg  
Germany

Telephone +49 761 13033-0  
Fax +49 761 13033-17  
E-mail [info-cutting@weinig.com](mailto:info-cutting@weinig.com)  
Internet [www.weinig.com](http://www.weinig.com)