

wetimmo®

Zerkleinerungstechnik



WL 4 - WL 4S
The universal grinder
for all types of wood waste

V-ROTOR from WEIMA

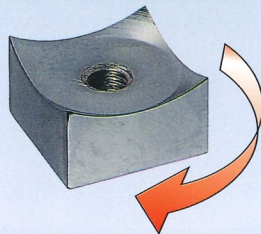
Your advantage -
our experience from over **12.000** machine installation world-wide



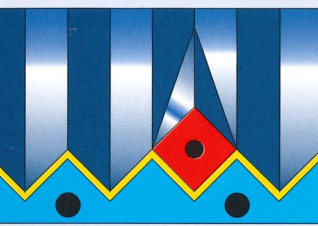
WL 4 / WL 4S – the strong machine for small and medium sized companies



Concave ground corners -
4 times reversible
- for extra high output

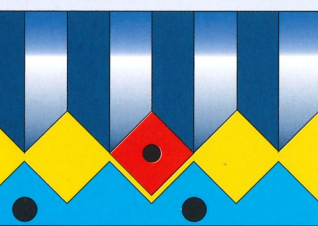


THREADED ROTORS



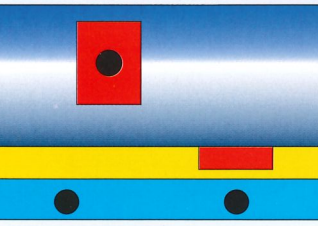
V-Rotor
The WEIMA system

patented

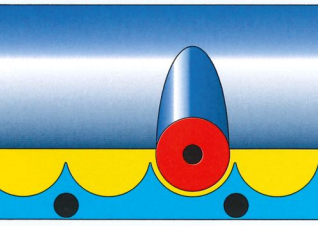


with mounted reversible knives

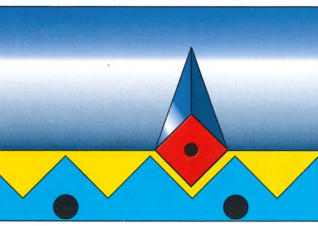
FLAT ROTORS



with rectangular or square reversible knives



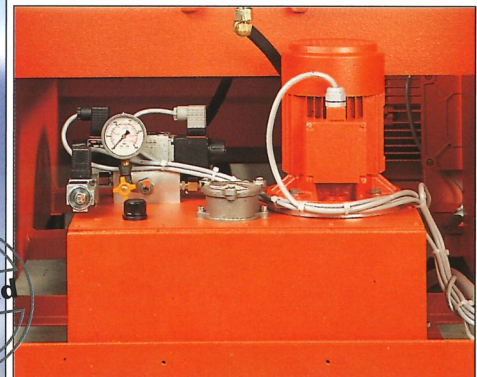
with round or concave knives



with mounted reversible knives.



The hydraulic power packs can be mounted either on ...

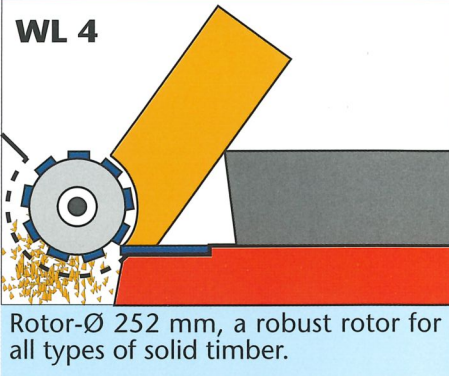


...or under the machine.



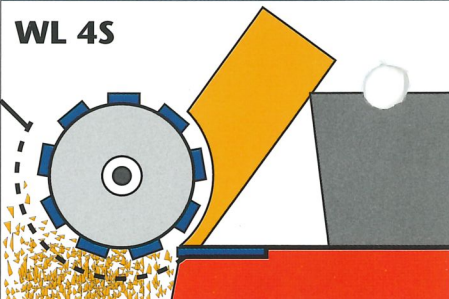
Screen hole diameter determines final chip size.

WL 4

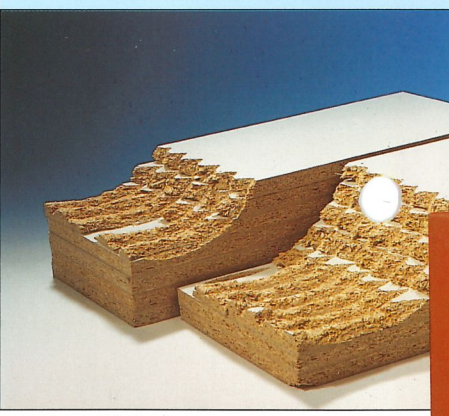


Rotor-Ø 252 mm, a robust rotor for all types of solid timber.

WL 4S



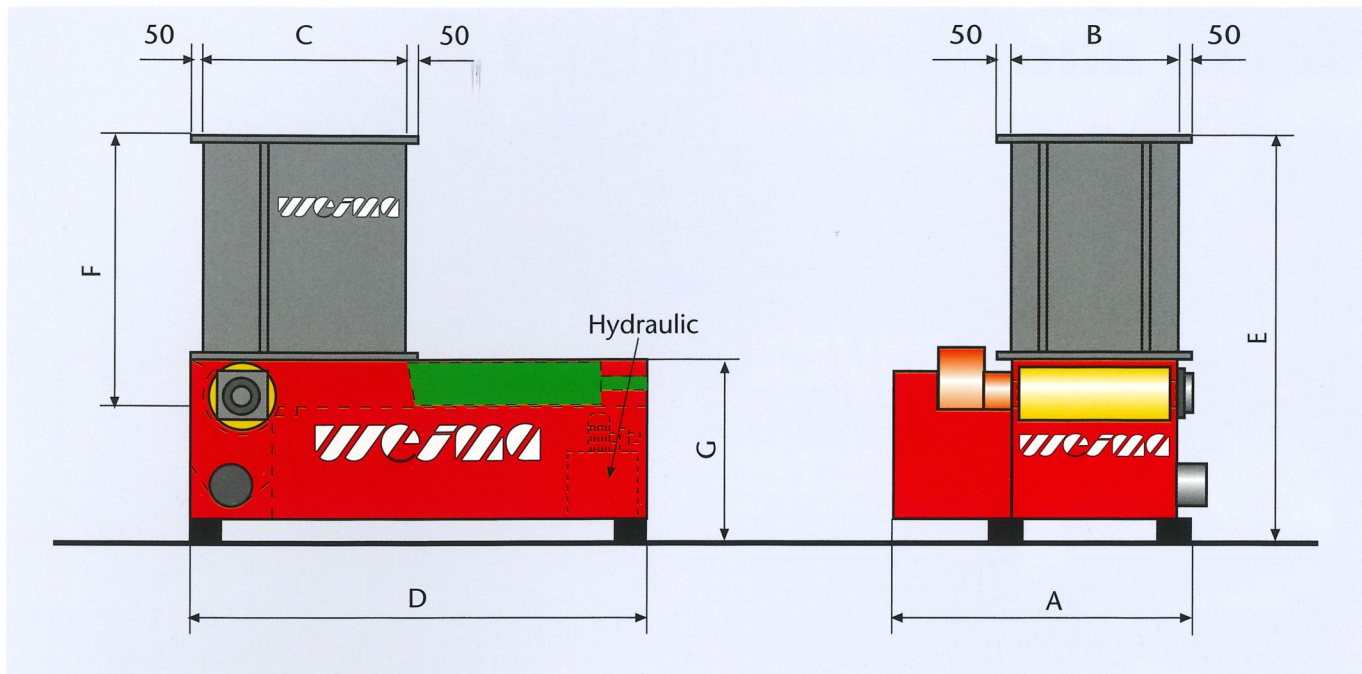
The larger 368 mm diameter rotor combined with a larger screen sizing will deliver far higher outputs, specially designed for panel waste.



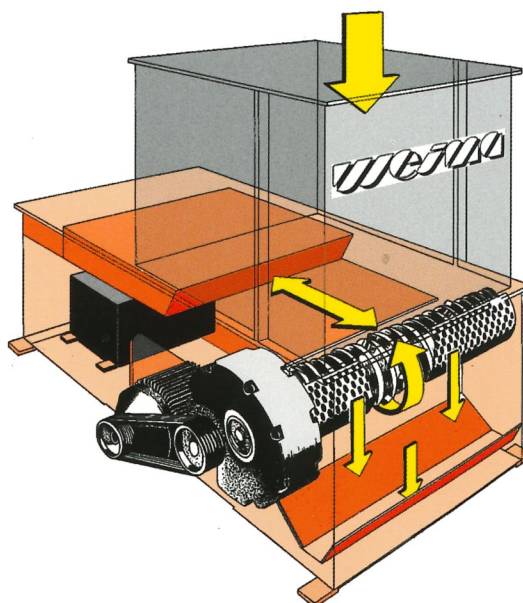
WL 4 / WL 4S – the flexible installation for all types of applications

WL 4 - WL 4S

The low noise, low r.p.m. grinder



Type	WL 4	WL 4S
Dimension A	1.100 mm	1.100 mm
Dimension B	600 mm	600 mm
Dimension C	800 mm	900 mm
Dimension D	1.800 mm	1.940 mm
Dimension E	1.640 mm	1.795 mm
Dimension F	1.090 mm	1.090 mm
Dimension G	740 mm	880 mm
Hopper opening	600 x 800 mm	600 x 900 mm
Hopper volume	0,6 m ³	0,7 m ³
Output	depends on material and screen size	
Rotor Ø	252 mm	368 mm
Rotor speed	60 - 100 rpm	60 - 100 rpm
Main drive motor	11/15/18,5 kW	15/18,5/22 kW
No. of cutter blocks	14	14/28
Screen sizes	10 - 40 mm	10 - 40 mm
Extraction connection	160 mm	200 mm
Extraction velocity	28 m/sec.	28 m/sec.
Weight	1.300 kg	1.700 kg



Weima Maschinenbau GmbH
 Gewerbegebiet Bustadt
 D-74360 Ilsfeld/Germany
 Tel. +49 70 62/95 70-0, Fax +49 70 62/95 70-90
 Internet: <http://www.weima.com>
 e-mail: info@weima.com



WEIMA America, Fort Mill (SC)
 WEIMA Austria, Ternberg
 WEIMA UK, Northants.
 WEIMA France, La Ferté sous Jouarre
 WEIMA Finland, Helsinki

Technical changes reserved. 4/01