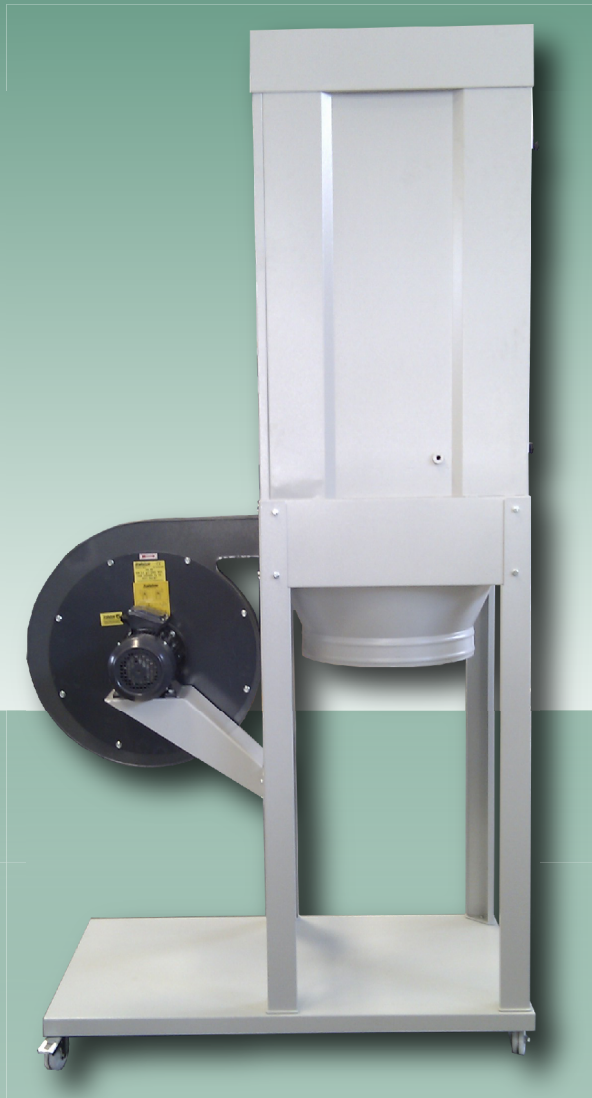


EURO 1 - HP EURO 2 - HP

designed for Vertical Panel Saw



CARENED FILTERING UNIT WITH SLEEVES
equipped with High Pressure Fan

ALFARIMINI



EURO 1 - HP

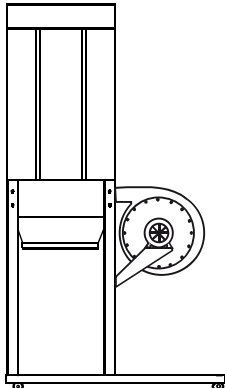
EURO 2 - HP

the perfect solution for Vertical Panel Saw

In addition to a large filtering surface, which allows optimum filtration of the of extracted dust, the Filtering Units EURO - HP are equipped with special fan high pressure, able to remove all the dust generated during the work.

The excessive length of the suction hose and its low diameter are no longer a problem for the Filtering Units EURO - HP.

You've never seen a suction like this.



Dimensions: 1.500 x 750 x 2.700 mm

EURO 1 - HP

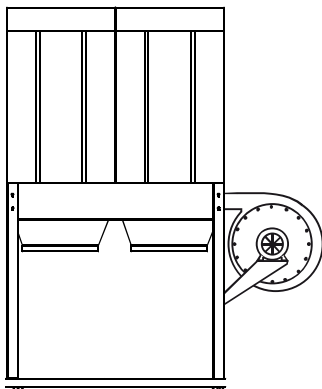
Suction Capacity:	2,2 kW (3HP)
Filtering System:	Sleeves
Cotton sleeves:	n° 9 - Ø 180 x 1.000 mm.
Filtering Surface:	5 m ²
Sleeves Tissue:	85% cotton - 15% Natural Fibers
Suction Capacity:	360 → 830 m ³ /h
Pressure:	502 → 630 mm/h ₂ O - (x10 = Pa)
Plastic Bags:	n° 1 x Ø 500 mm
Noise:	74 dB (A)
Suction hood:	Ø 120/100/80/60 mm.
Cleaning System:	Manual system
Net Weight:	240 Kg.

EURO 1 - HP

EURO 2 - HP



Equipped with Filtering Sleeves



Dimensions: 2.100 x 750 x 2.700 mm

EURO 2 - HP

Suction Capacity:	2,2 / 3 / 4 kW (3 / 4 / 5,5 HP)
Filtering System:	Sleeves
Cotton sleeves:	n° 18 - Ø 180 x 1.000 mm.
Filtering Surface:	10 m ²
Sleeves Tissue:	100% cotton - 15% Natural Fibers
Suction Capacity:	470 → 1.190 m ³ /h
Pressure:	613 → 762 mm/h ₂ O - (x10 = Pa)
Plastic Bags:	n° 2 x Ø 500 mm
Noise:	74 dB (A)
Suction hood:	Ø 140/120/100/80/60 mm.
Cleaning System:	Manual
Net Weight:	290 Kg.



Equipped with Filtering Cartridges

- The Fan is directly joined to the filtering units, no pipes are needed
- The Ø of the suction hood have to be choose before ordering
- Electric Cleaning System are available on request
- Trailer metal Bins are available on request
- Electric Panel for simultaneous lighting and delayed shutdown of the fan available on request - CE Rules

ALFARIMINI

Le illustrazioni e i dati contenuti nel presente prospetto non sono impegnativi. Il fabbricante si riserva il diritto di apportare modifiche per esigenze di carattere tecnico, commerciale ed organizzativo ferme restando le caratteristiche principali delle macchine. Inoltre le parti aggiuntive come protezioni, accessori, ecc. possono essere diverse in conformità alle leggi e alle esigenze dei differenti paesi. Salvo errori ed omissioni.