

SEL CO

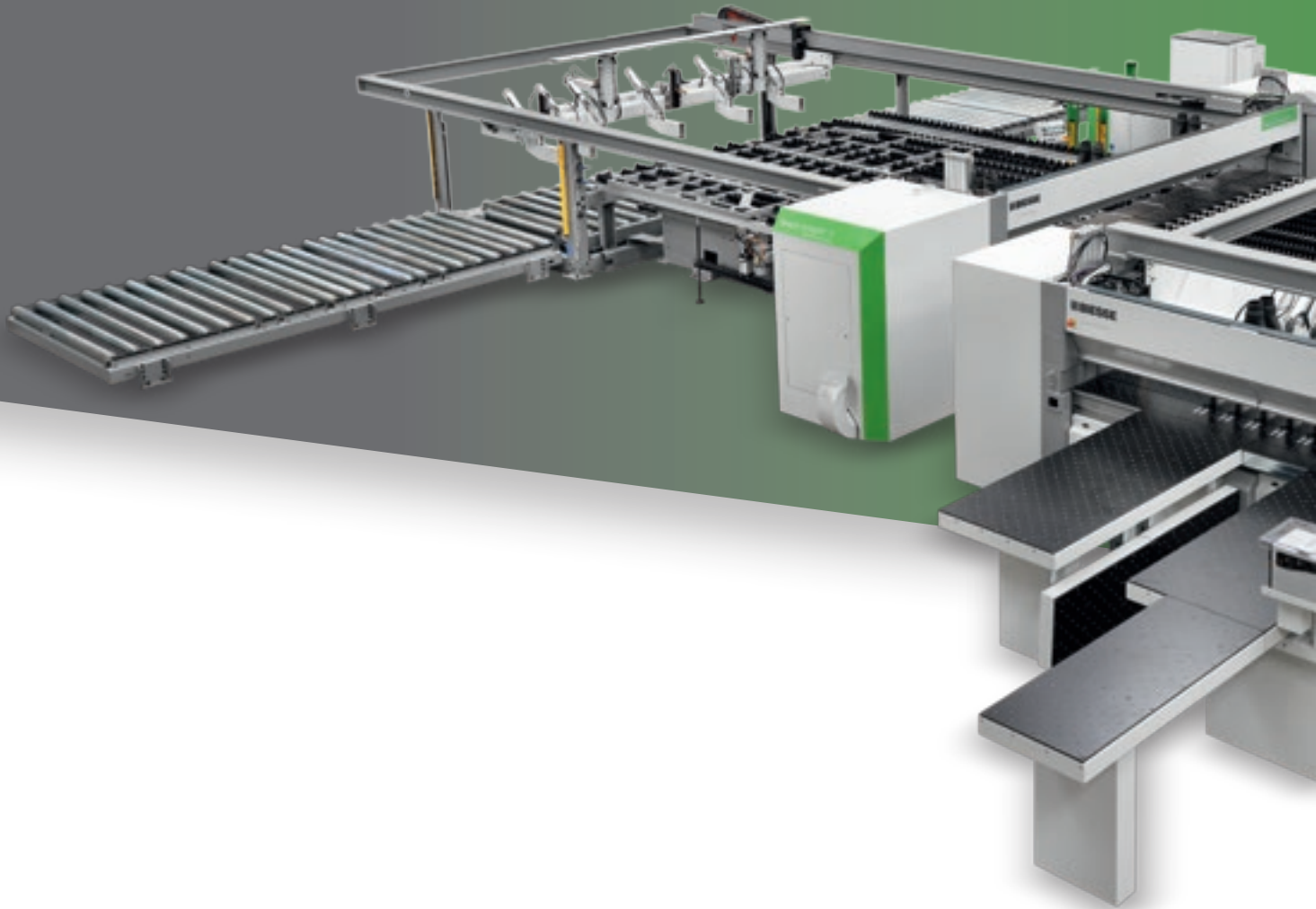
WNA 7

CUT TO SIZE
ANGULAR PLANTS



 **BIESSE**

GREAT RESULTS FROM LARGE SIZES



THE MARKET DEMANDS

a change in manufacturing processes, enabling companies to **accept the largest possible number of orders**. This is coupled with the need to maintain high quality standards whilst offering product customisation with **quick and defined delivery times**, as well as responding to the needs of highly automated enterprises.

BIESSE MEETS

these requirements with technological solutions that highlight and support technical expertise as well as process and material knowledge. **SELCO WNA 7** is a range of cutting systems offering two fully independent cutting lines with automated loading that respond to the requirements of the furniture industry. **SELCO WNA 7** is an innovative solution, unique in its sector in terms of productivity and flexibility.



SELCO WNA 7

- ✔ OPTIMUM CUTTING QUALITY
- ✔ PROCESSING PRECISION FOR LARGE-SIZE PANELS
- ✔ MAXIMUM PRODUCTIVITY ON ANY CUTTING PATTERN
- ✔ WIDE RANGE OF CONFIGURATION OPTIONS
- ✔ PERFECTLY INTEGRATED INTO AUTOMATED LINE SYSTEMS.

OPTIMAL CUTTING QUALITY

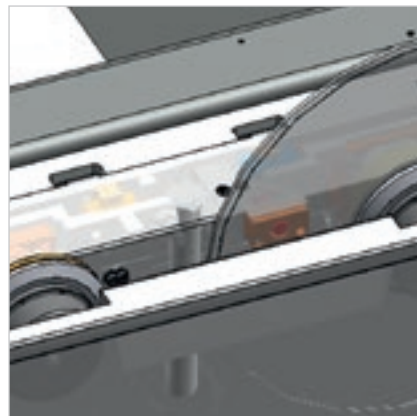
Solid base structure which ensures perfect stability, maximum quality and long term reliability of machining operations.



The optimal balancing and weight distribution on the two guides guarantees the total absence of vibrations and perfectly straight cutting action.

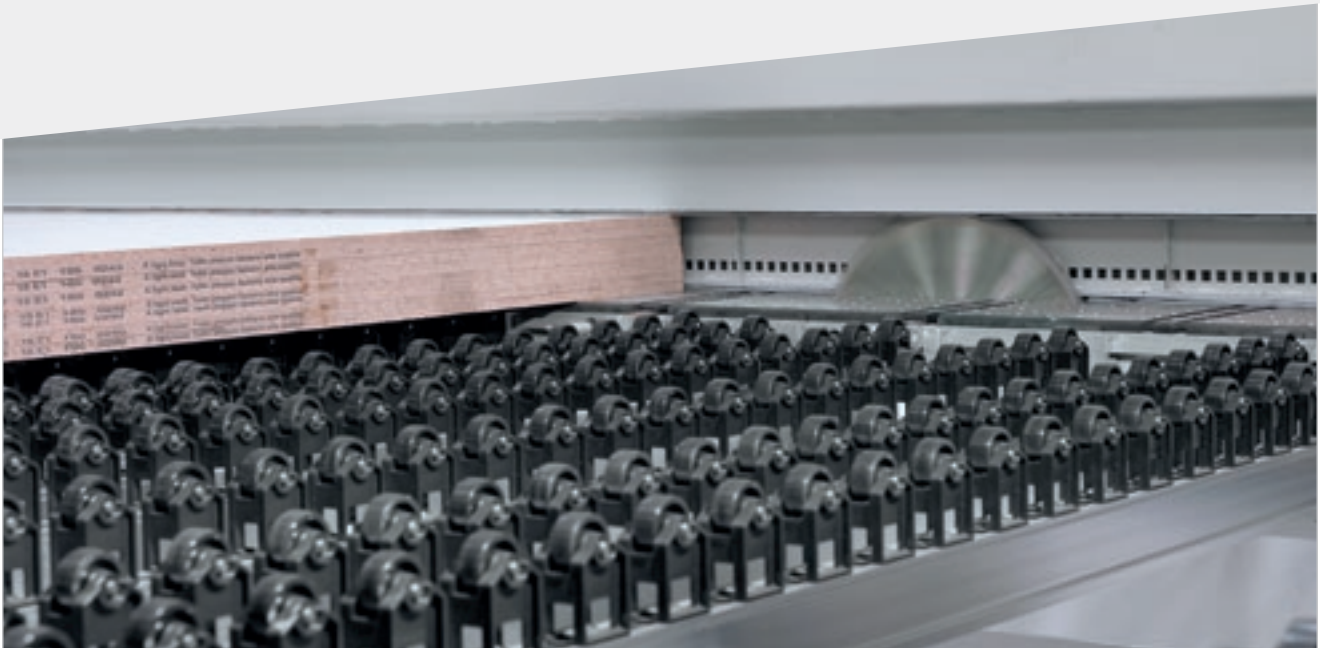


The anti-slide device controls the position and the number of revolutions of the blade, intervening to adjust the advance speed. **Maximum cutting quality, a longer blade lifespan, and reduced maintenance costs.**



Motorised vertical movement of the blade ensures fast and precise cutting height adjustment.

TOP-QUALITY FINISHED PRODUCT



The double presser, with a double, independent structure, enables the application of consistent, controlled pressure to the stack of panels to be cut, thanks to the continuous gripper action, which also creates an actual sealed chamber for trim cuts and an efficient vacuum for the removal of dust.



Air-cushioned working surface to handle delicate materials. In addition, this characteristic ensures the surface next to the blade is kept constantly clean.



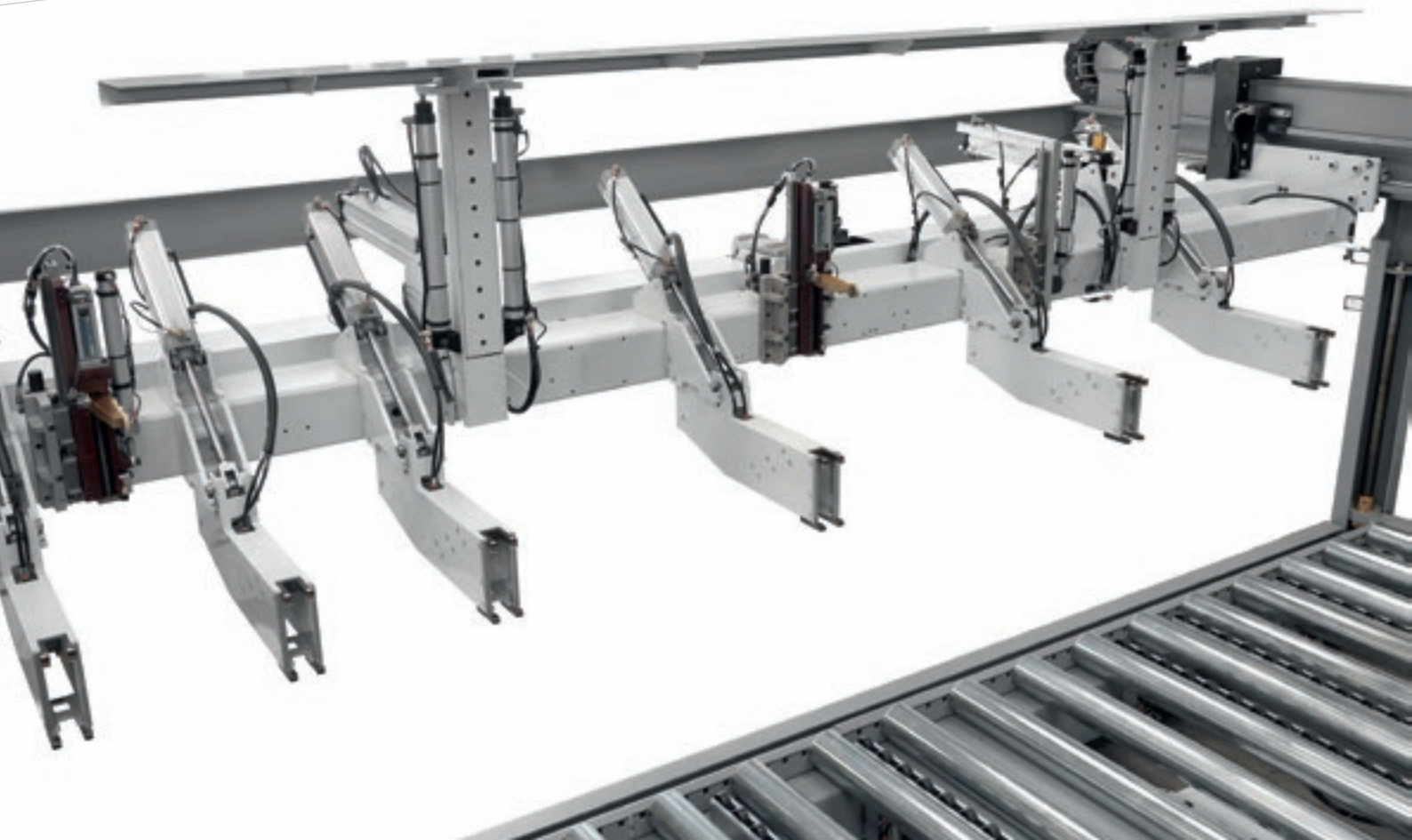
Cutting line closure system, to prevent longitudinal trim cuts from falling into the machine and fouling the blade path.



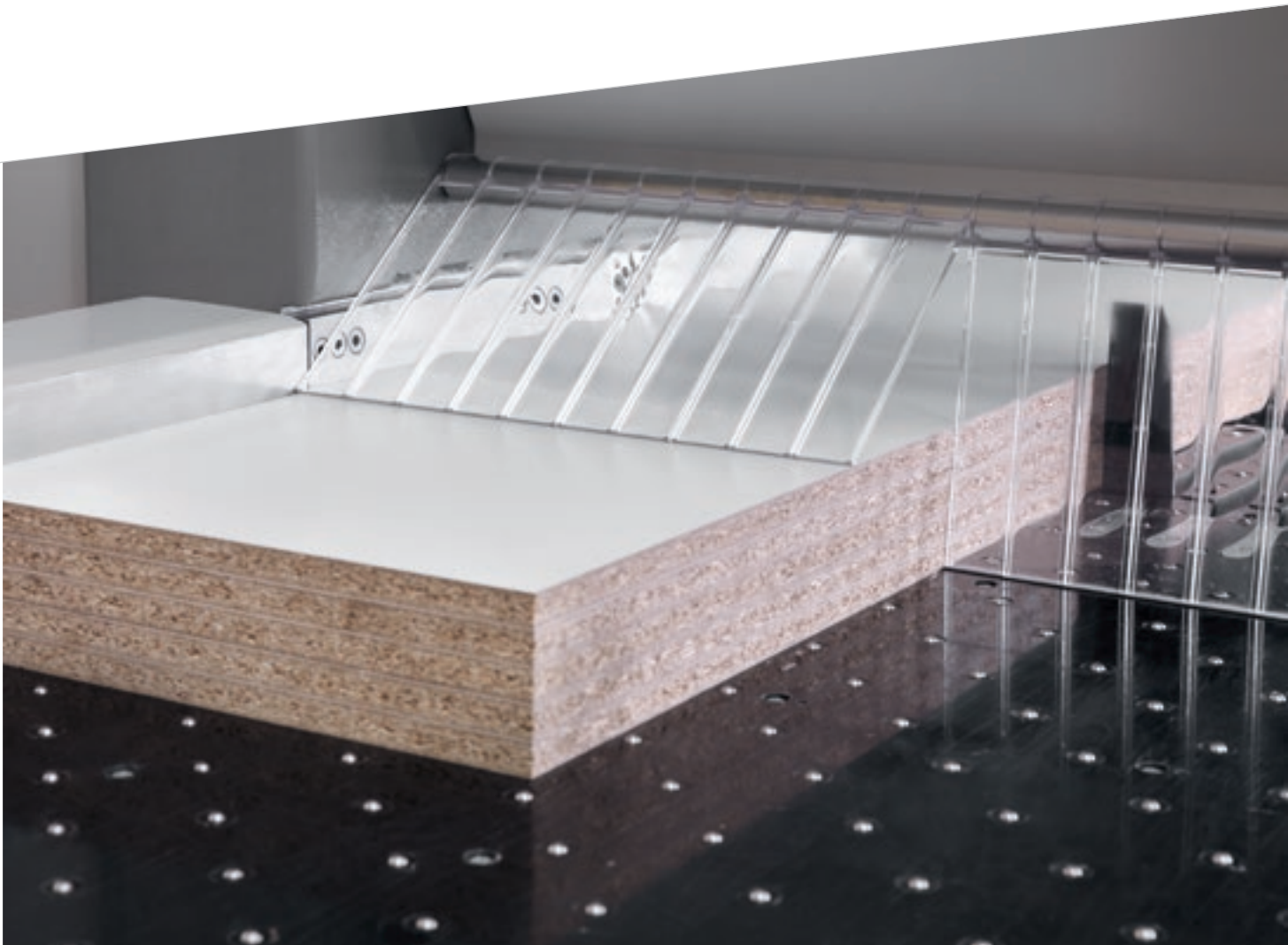
Longitudinal double-edge trims are disposed of by means of a dedicated and fully automated trapdoor with independent rollers.

MACHINING OPERATION PRECISION

The sturdy pushing carriage positions the panels quickly and accurately, thanks to its brushless motor. The slide surface below the pushing device is fitted with independent rollers to avoid marking delicate surfaced panels.



Powerful front aligners align the book of panels against the pushing device collets.



Side alignment stop integrated in the transversal blade carriage. Its features enable the perfect alignment of even the thinnest and/or most flexible panels, reducing cycle time to a minimum

A SOLUTION TO ANY REQUIREMENT



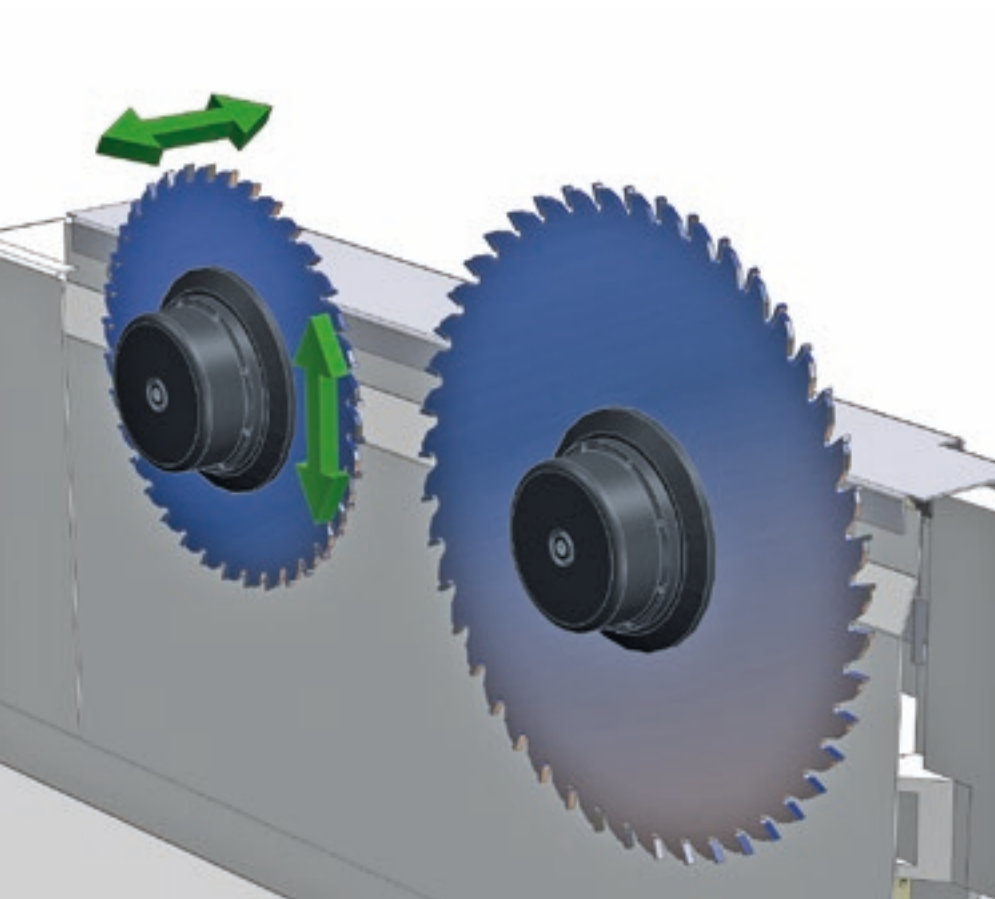
Thin panels can be loaded from the lifting table, using independent floating pushing points that are electronically controlled. A specific logic together with the front pop-up stops prevent the risk of mis-feeding (by means of attrition) those panels that don't belong to the book being fed.

QUICK SET-UP TIMES

Patented systems for quick
and easy regulation.



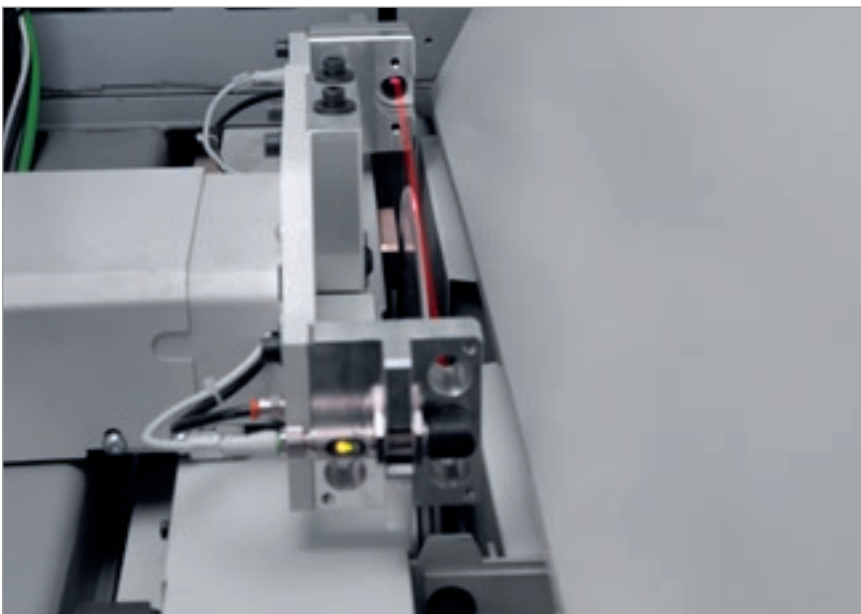
The **“Quick change”** system is the quickest, most ergonomic and safest device for changing blades without using tools.



Fast, accurate setting of the scoring and main blades, using the Digiset system.



Thanks to the system for the automated change of the main blade and the relevant software, the blade can be changed in a fully automated manner in just a few seconds, ensuring precise adjustment and reducing cycle times at the same time.



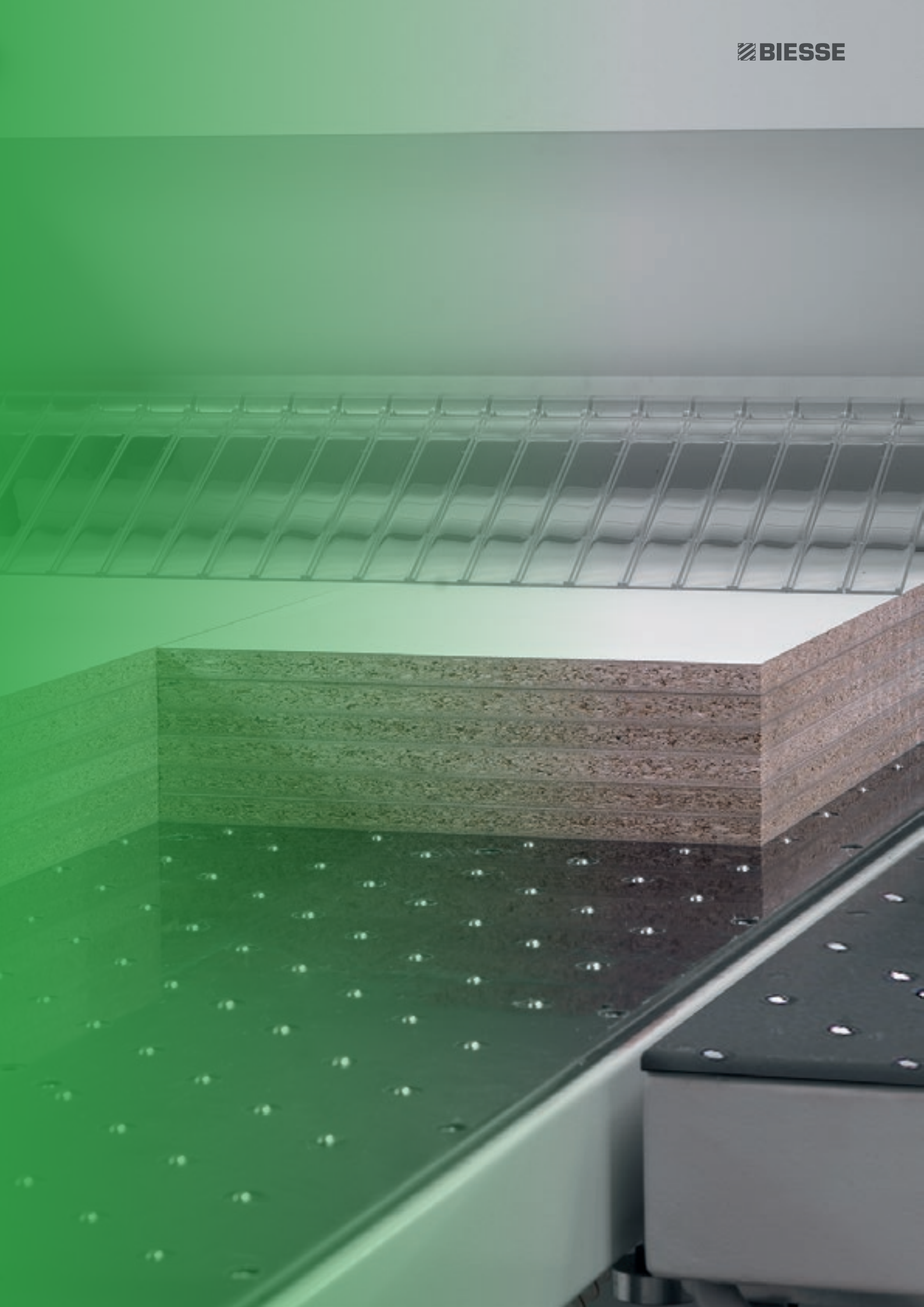
Automatic scoring blade alignment. The patented system automatically aligns the scoring blade in seconds. Supports the reduction of set-up times, test cutting and errors, increasing efficiency and reducing sharpening costs.

MULTI PUS HER

SIMULTANEOUS MULTIPLE ACTION

Significant reduction of processing times thanks to the possibility of combining the grippers with any type of cutting patterns in a single cycle.

System for performing simultaneous transverse cuts due to the two fully independent pushing devices and two completely independent motorless grippers. This mechanism changes distance between the two pushing devices and therefore their working field.

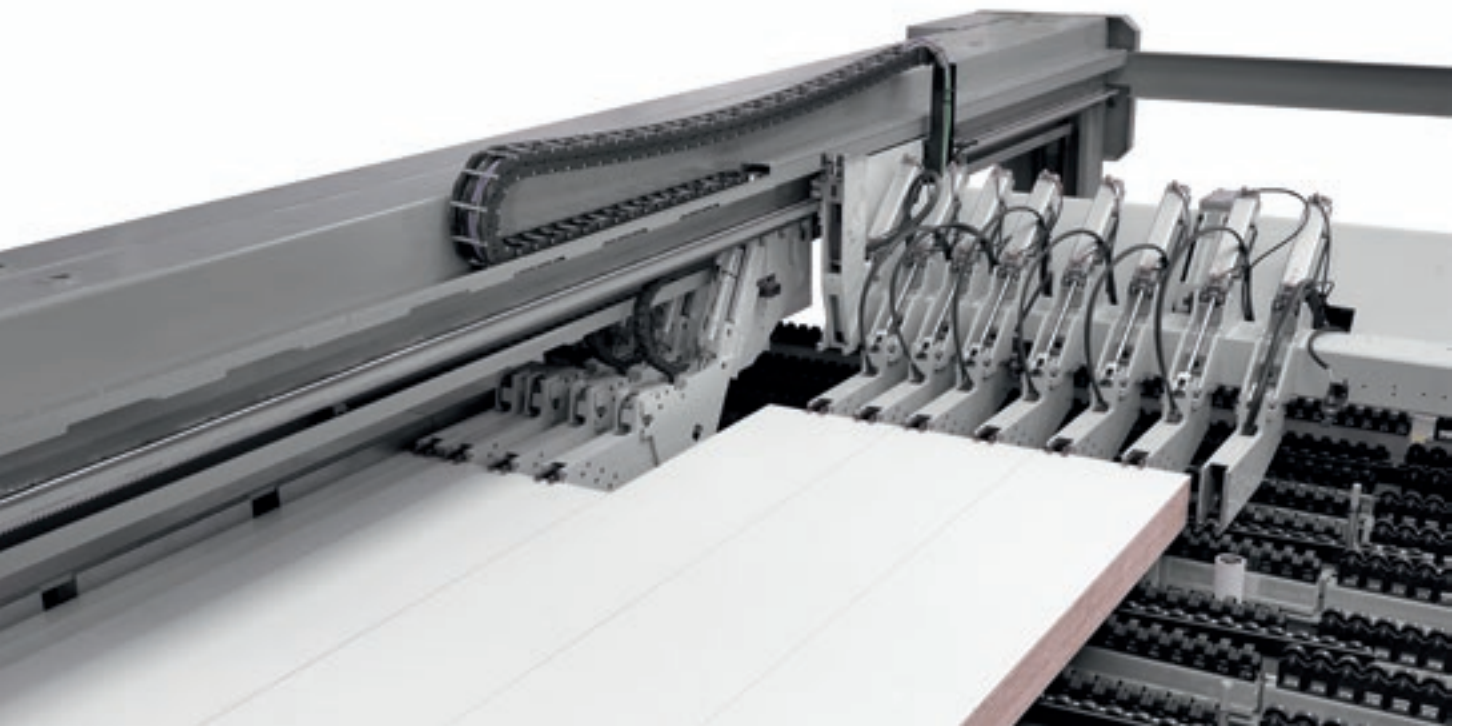


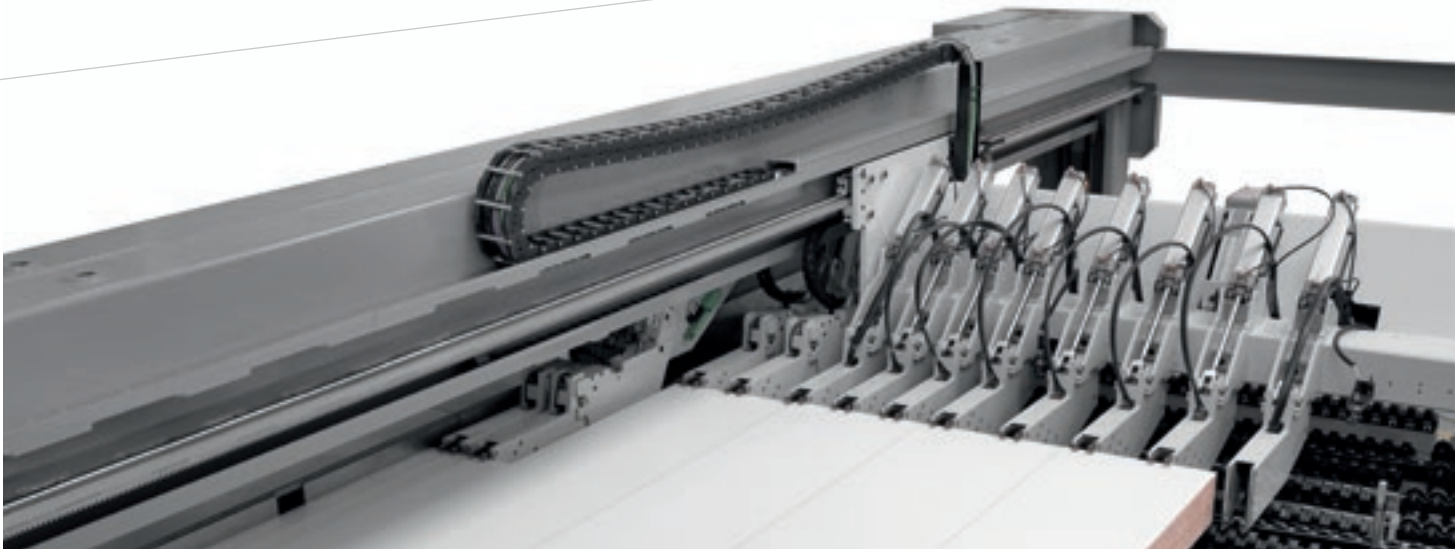
MAXIMUM PRODUCTIVITY ON ANY PATTERN

A wide range of configuration possibilities and cutting patterns.



Based on the cutting patterns, the two grippers on rollers can connect with two pushing devices, both individually or together.





Differentiated cross-cut, also for narrow strips.



The two cutting stations can execute cutting patterns completely independently, thanks to the presence of an intermediate zone that can accommodate a whole panel. Both areas are fully covered in independent rollers to preserve the panels' surface.



REDUCED PANEL LOADING AND DOWNLOADING TIMES

Special solutions for handling stacks and feeding and unloading panels available upon request.



Infeed conveyors with free-running or powered rollers allow the loading and side or rear unloading of panel stacks.



Double-level infeed conveyor. Thanks to the reduced footprint, which utilises height, the double-level infeed conveyor enables the optimisation of space and is perfectly suited to production sites that cannot accommodate two conveyors side by side.



The lift table consists of a strong frame which is equipped with a special structure to load the pack of panels directly by forklift.



Loading and unloading optimised for large volumes.



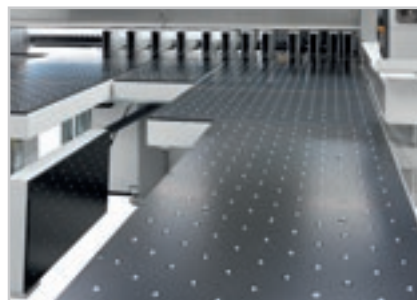
The (patented) rotating station rotates the stack of panels, maintaining the alignment with the point of reference both before and after rotation. Panel clamping devices avoid the misalignment of the stack during the rotation phase.



Front aligners to align the boards in the width directly on the turn station unit.



Panel clamping devices avoid the misalignment of the stack during the rotation phase



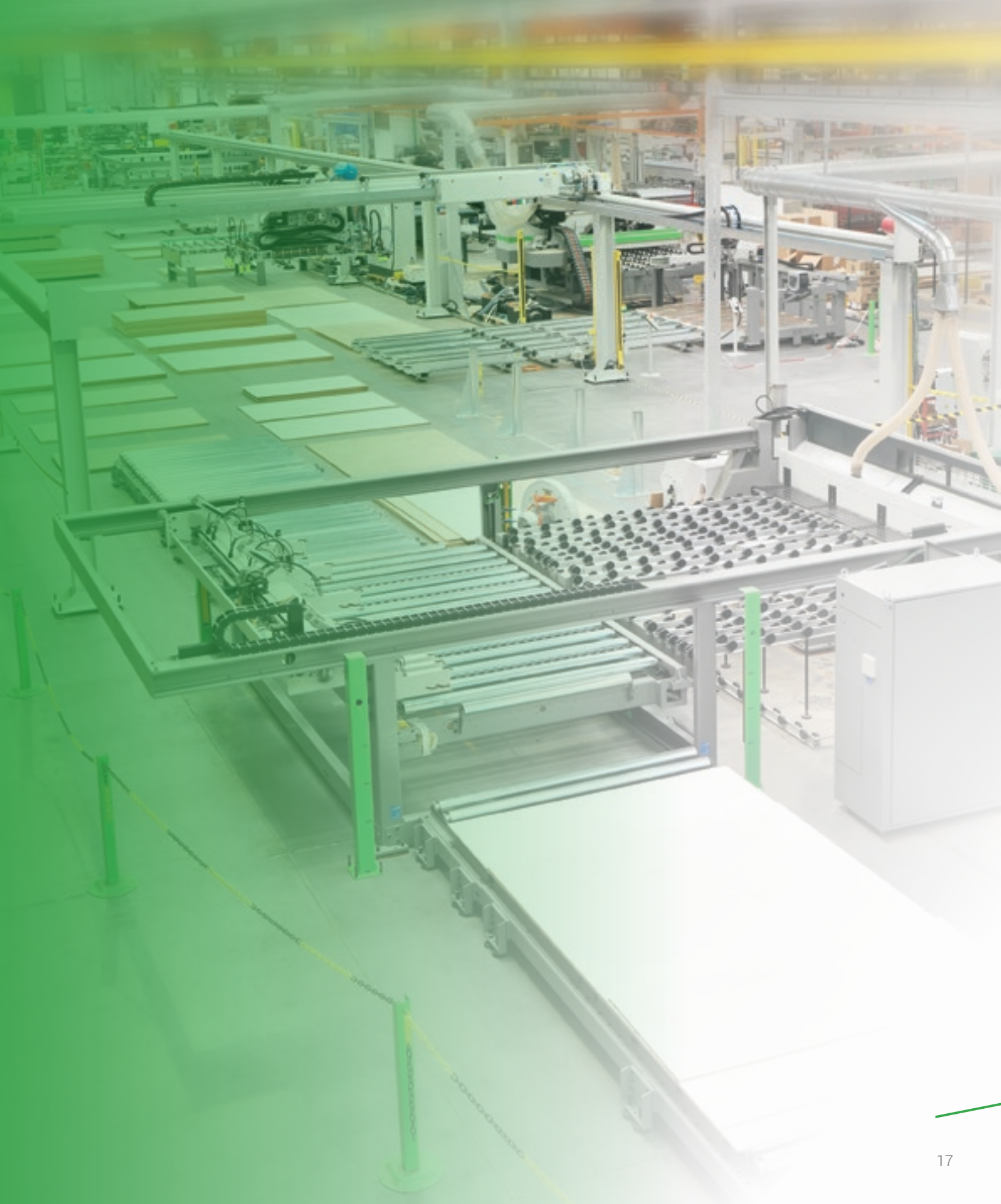
Wide range of configuration options to facilitate panel unloading.

PRODUCTION LINES

COMPETITIVE CUSTOMISATION

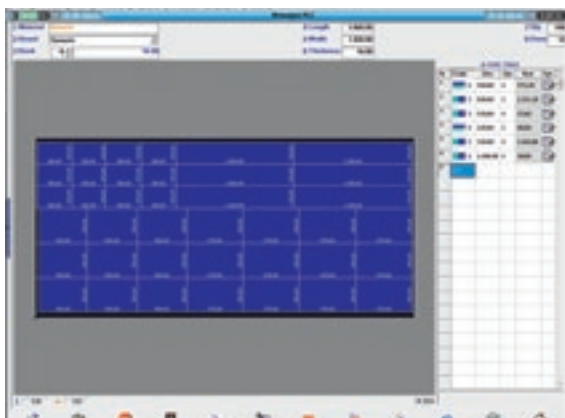
Biesse Systems is a team of highly trained engineers for large scale production processes. Biesse Systems offers integrated cells and systems that are capable of maximising customer competitiveness by combining mass production techniques with a high degree of customisation to meet customers' exact requirements.

Made-to-measure turnkey factories, plus the integration of Biesse Group solutions with complementary software and machinery, with over 1000 systems installed worldwide.



EASE OF USE AND PRACTICALITY

The numerical control guarantees the fully automated management of the execution of cutting patterns, and optimises all movements relative to controlled axes (i.e. pusher and saw carriage, pressure beam, blade height). It ensures the blade protrudes from the book to the correct height during sectioning, and calculates the most suitable cutting speed on the basis of the book height and trim cut width. It helps ensure the best cutting quality at all times.



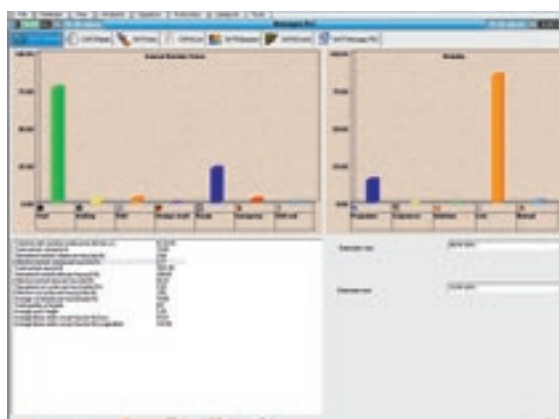
Easy cutting pattern programming.



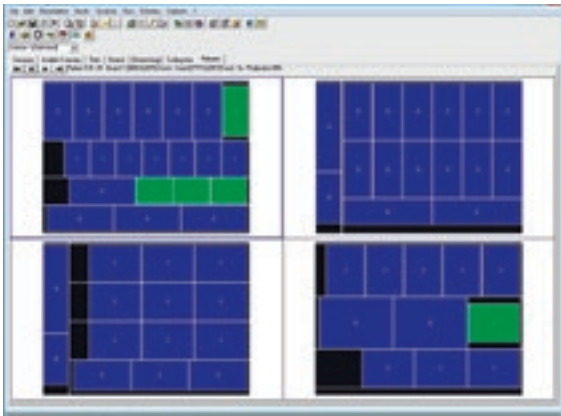
Graphic simulation in real time, with messages and information for the operator.



An effective diagnosis and troubleshooting program provides complete information (photos and text) to ensure that any problems are quickly resolved.

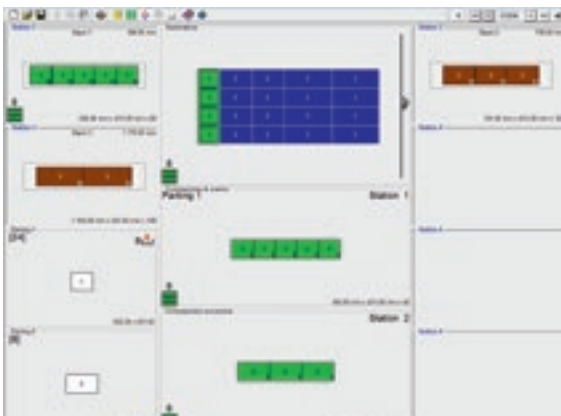


Advance statistics management which allows the processing of machine productivity and operation data.



OptiPlanning

Software to optimise cutting patterns and maximise efficiency for both material costs and cutting times.



Smart Stacking

Software that enables managing the unloading of stacks, helping the operator, also in a graphic way, to sort individual sectioned stacks when they exit the transversal beam saw.



Labelling

A special software creates individual labels and prints them in real time, on the machine. The information available can also be printed in bar code form.

CAN BE FULLY INTEGRATED WITH AUTOMATED LINE SYSTEMS

Biesse can provide bespoke solutions which are tailored to meet your specific productivity, automation and space requirements.



Winstore

Automated solution for cutting cells loading.



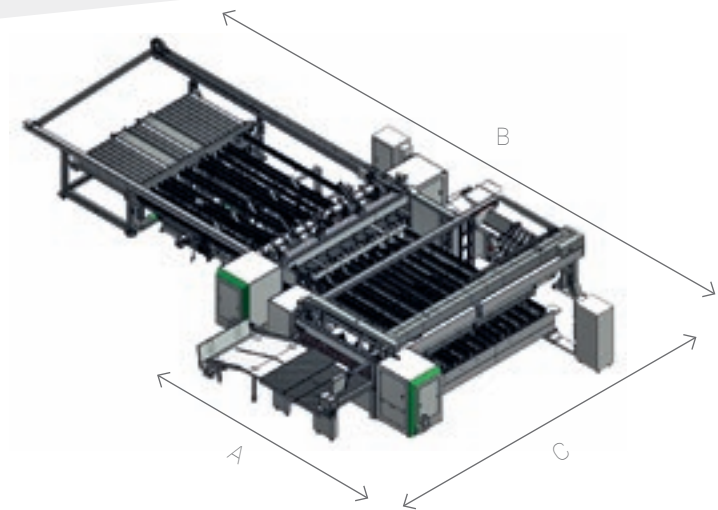
Lifter

Bridge unloader for cutting cells.



Cutting system with automated unloading for large batches.

TECHNICAL SPECIFICATIONS



SELCO WNA 730-750

	4500X2200	4500X3000	5900X2200	5900X3000
A	5750	6250	5750	6250
B	11600	14200	11600	14200
C	9750	9750	11350	11350

SELCO WNAR 730-750

	4500X2200	4500X3000	5900X2200	5900X3000
A	5750	6250	5750	6250
B	16000	18300	17350	19650
C	9750	9750	11350	11350

		730	750
Maximum base protrusion	mm	127	152
Main blade motor	kW/Hz	18,5 - 21,3 / 50 - 60	22 - 26 / 50 - 60
Engraver blade motor	kW/Hz	2,2 - 2,6 / 50 - 60	
Blade carriage transfer		brushless	
Blade carriage speed	m/min	1-170	
Pushing device transfer		brushless	
Longitudinal pushing device speed	m/min	90	
Transversal pushing device speed	m/min	90	
Work table height	mm	1040	
Stack to be loaded	mm	630	

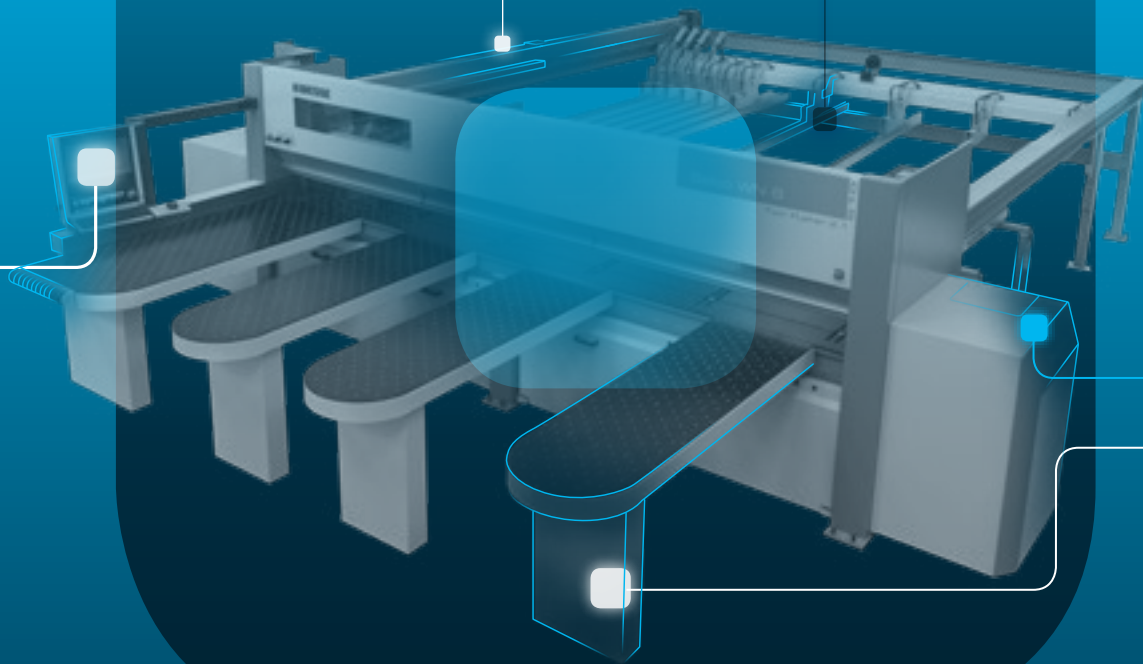
The technical specifications and drawings are non-binding. Some photos may show machines equipped with optional features. Biesse Spa reserves the right to carry out modifications without prior notice.

A-weighted surface sound pressure level (L_{pfA}) during machining for operator workstation L_{pa}=83dB(A) L_{wa}=106dB(A) A-weighted sound-pressure level (L_{pA}) for operator workstation and sound power level (L_{wA}) during machining L_{wa}=83dB(A) L_{wa}=106dB(A) K measurement uncertainty dB(A) 4.

The measurement was carried out in compliance with UNI EN 848-3:2007, UNI EN ISO 3746: 2009 (sound power) and UNI EN ISO 11202: 2009 (sound pressure levels at workstation) during panel machining. The noise levels shown are emission levels and do not necessarily correspond to safe operation levels. Despite the fact that there is a relationship between emission and exposure levels, this may not be used in a reliable manner to establish whether further measures need to be taken. The factors determining the exposure level for the workforce include length of exposure, work environment characteristics, other sources of dust and noise, etc. i.e. the number of other adjoining machines and processes. At any rate, the above information will enable the operator to better evaluate dangers and risks.

SOPHIA

GREATER VALUE FROM MACHINES



SOPHIA is the IoT platform created by Biesse in collaboration with Accenture which enables its customers to access a wide range of services to streamline and rationalise their work management processes.

It allows alerts and indicators to be sent to the customer in real time, in relation to production, the machines used and the type of process carried out. These are detailed instructions for more efficient use of the machine.

□ **10% CUT IN COSTS**

□ **50% REDUCTION
IN MACHINE DOWNTIME**

□ **10% INCREASE
IN PRODUCTIVITY**

□ **80% REDUCTION IN PROBLEM
DIAGNOSTICS TIME**

**SOPHIA TAKES THE INTERACTION BETWEEN
CUSTOMER AND SERVICE TO A HIGHER LEVEL.**

iOT
SOPHIA

IoT - SOPHIA provides a comprehensive overview of the specific machine performance features, with remote diagnostics, machine stoppage analysis and fault prevention. The service includes a continuous connection with the control centre, the option of calling for assistance from within the customer app (such calls are managed as priorities), and an inspection visit for diagnostic and performance testing within the warranty period. Through SOPHIA, the customer receives priority technical assistance.

PARTS
SOPHIA

PARTS SOPHIA is the easy new, user-friendly and personalised tool for ordering Biesse spare parts. The portal offers customers, dealers and branches the chance to navigate within a personalised account, consult the constantly updated documentation of the machines purchased, and create a spare parts purchase basket indicating the real time availability in the warehouse and the relative price list. In addition, the progress of the order can be monitored at all times.

 **BIESSE**

in collaboration with  **accenture**

SERV ICE & PARTS

Direct, seamless co-ordination of service requests between Service and Parts. Support for Key Customers by dedicated Biesse personnel, either in-house and/or at the customer's site.

BIESSE SERVICE

- ✔ Machine and system installation and commissioning.
- ✔ Training centre dedicated to Biesse Field engineers, subsidiary and dealer personnel; client training directly at client's site.
- ✔ Overhaul, upgrade, repair and maintenance.
- ✔ Remote troubleshooting and diagnostics.
- ✔ Software upgrade.

500

Biesse Field engineers in Italy and worldwide.

50

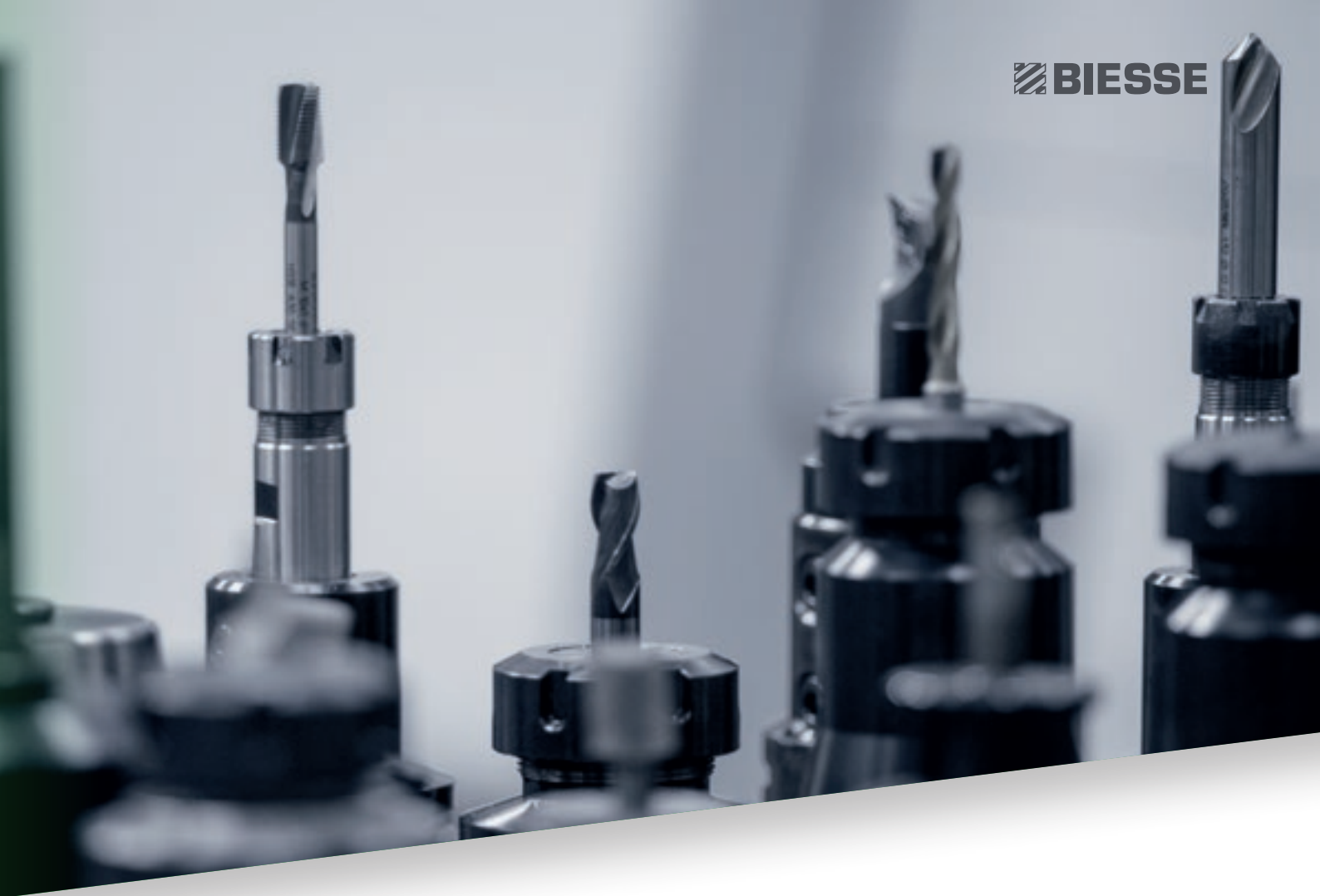
Biesse engineers manning a Teleservice Centre.

550

certified Dealer engineers.

120

training courses in a variety of languages every year.

A close-up photograph of several metal drill bits and tool components, arranged in a row. The bits are of various sizes and designs, some with standard double-flute and others with more complex, multi-fluted designs. They are set against a blurred background, highlighting their metallic texture and sharp edges.

The Biesse Group promotes, nurtures and develops close and constructive relationships with customers in order to better understand their needs and improve its products and after-sales service through two dedicated areas: Biesse Service and Biesse Parts. With its global network and highly specialized team, it offers technical service and machine/component spares anywhere in the world on-site and 24/7 on-line.

BIESSE PARTS

- ✔ Original Biesse spares and spare kits customized for different machine models.
- ✔ Spare part identification support.
- ✔ Offices of DHL, UPS and GLS logistics partners located within the Biesse spare part warehouse, with multiple daily pick-ups.
- ✔ Order fulfillment time optimized thanks to a global distribution network with de-localized, automated warehouses.

92%
of downtime machine orders fulfilled
within 24 hours.

96%
of orders delivered in full on time.

100
spare part staff in Italy and worldwide.

500
orders processed every day.

MADE WITH BIESSE

BIESSE TECHNOLOGY ACCOMPANIES THE GROWTH OF STECHERT

"On these chairs sits the world" is the motto of the Stechert Group that can effectively be taken literally. What began 60 years ago as a small manufacturing company for pram mouldings, furniture doors and door locks is today one of the largest international suppliers of contract and office chairs, as well as tubular steel furniture. Moreover, since 2011 the company has a partnership with WRK GmbH, an international specialist in podiums, conference room and grandstand seating, associated with Stechert via the joint commercial company STW. For Stechert management, however, the excellent results obtained are no excuse for resting on their laurels. On the contrary, the company is investing heavily in the Trautskirchen site to make its production even more efficient and profitable. In the search for a new machinery partner, the company's management chose the Italian manufacturer Biesse. "For the project we chose machines that already had certain options and were predisposed for automation", said Roland Palm, Biesse Area Manager. An effi-

cient production cycle was created in which workers are able to perform at their best after only a short training period.

At the start of the production line is the beam saw "WNT 710" with one cutting line. "Because", explained skilled cabinet maker Martin Rauscher, "we want to be able to work panels of up to 5.90 metres in order to reduce waste as much as possible." Normal rectangular panels for tables or wall panels are taken directly to the "Stream" edgebander with "AirForceSystem" technology. The Biesse edgebander has a group that activates the laminated edging material no longer via a laser beam but using hot air to obtain the so-called "zero gap". "The quality is just as good as the laser system, if not even better: with a connection power of 7.5 kW, the cost per square metre is much lower", underlined the Biesse Area Manager.

"We want to be ready for when we mould the frame ourselves and we must therefore calibrate the panels" said Martin Rauscher, "The same is true of course for solid wood

and multiplex panels, which require grinding before being painted in an external company. For both types of work a Biesse "S1" sander is used. In order to meet the needs of the future, in the Trautskirchen plant there are also two Biesse numerically controlled machining centres: a "Rover C 965 Edge" and a "Rover A 1332 R", which are perfectly complementary. The Stechert Group also intends to strengthen sales of innovative solutions for interior fittings, with complete systems for walls, ceilings, floors and mezzanines. For panel sectioning, the Group has purchased a "Sektor 470". For other geometry, groove and spring machining as well as boring and surface milling, there are two Biesse machining centres, an "Arrow" for nesting applications, a "Rover B 440" and more recently a 5-axis machine, the "Rover C 940 R" machining centre in order to be able to produce, in particular, wall and ceiling panels machined in 3 dimensions.

Source: HK 2/2014



LIVE THE EXPERIENCE

BIESSEGROUP.COM



Interconnected technologies and advanced services that maximise efficiency and productivity, generating new skills to serve better our customer.

LIVE THE BIESSE GROUP EXPERIENCE AT OUR CAMPUSES ACROSS THE WORLD.



BIESSEGROUP

