

sensing the future



## Safety mats

Electrical surface switches  
for safe activation and  
deactivation of machines,  
devices and automatic doors

**Reliable, robust, low-maintenance**

- System is simple to install
- Surface switch for convenience and safety applications
- Especially robust due to full potting
- Standard and customer-specific designs available

# Safety mats

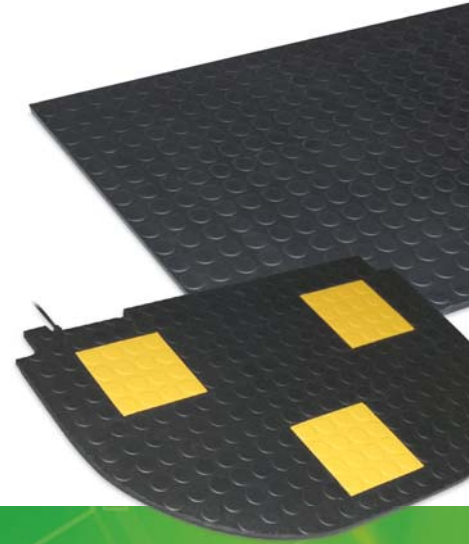
## Safety mats for safety and comfort applications

### Safety

The safety mats from Bircher Reglomat are used for detecting people or objects within a defined area. In conjunction with the ESD3 safety switching device, they form a certified system for safeguarding danger zones, and thus for protecting people.

### Convenience

Safety mats are characterised by their sturdy construction. They are available in a range of different shapes and designs. Directly connected to a controller, they are used as a switching element for convenient application.



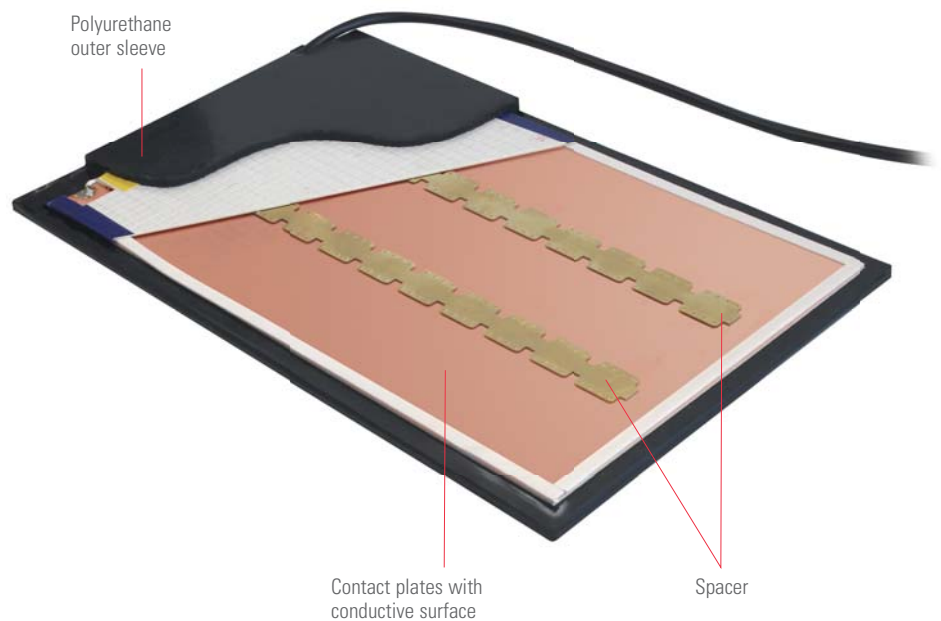
## Benefits for you

### Universally applicable

- Maintenance-free
- Tailor-made for your requirements
- Easy to install
- Clearly visible
- Diverse shapes possible
- Surface structures and hardnesses can be selected
- Several switching zones are possible on one surface
- Individual mats, small batches and mass production

## Functional principle

When anyone steps on the surface of the mat, or a load is placed on it, two parallel contact surfaces are pressed together and the electrical circuit is made.





## Safety switching device ESD3

- Performance level PL e, cat. 3 acc. to EN ISO 13849-1, in combination with a safety mat from Bircher Reglomat
- Two inputs for connecting several safety mats
- Redundant safety output
- Monitoring output
- Automatic or external reset
- Installation on DIN rail



In combination with the ESD3 safety switching device, the Bircher Reglomat safety mat is type-tested acc. to EN ISO 13856-1.



## Reliable in every application

### ESM-52/54

Standard shapes

#### Situation

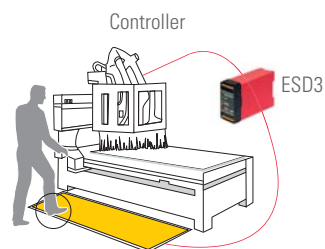
Danger of injury due to moving machine parts

#### Solution

- Switch off a machine in the danger area

#### Benefits

- Robust standing surface with integrated safety switch
- Clearly visible
- Can be combined to protect larger areas



### ESM-57

Special shapes

#### Situation

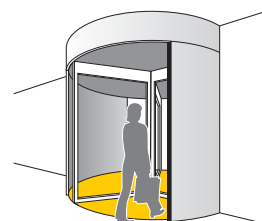
Automatic doors and locks

#### Solution

- Passage control and activation of revolving doors
- Individual passage at locks

#### Benefits

- Robust standing surface with integrated safety switch
- Several switching zones possible
- Individual shaping



### EMP

Forklift mats

#### Situation

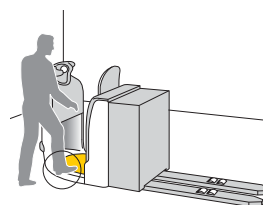
Forklift trucks

#### Solution

- Deactivation in case of unplanned exit from the operating platform

#### Benefits

- Robust standing surface with integrated safety switch
- Ergonomic, soft surface
- Vibration damping



### ES-Button

Flat button

#### Situation

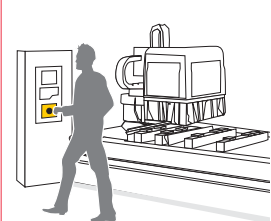
Machines and systems

#### Solution

- ES-Button flat button

#### Benefits

- Simply operate by hand, foot or with the arms
- Sturdy configuration for use in a contaminated and/or wet environment, or when subject to severe mechanical stress



# Safety mats

## ESM-52/54 safety mat – standard shapes: select L x W

### Various sizes

The ESM-52 is available in eight different standard sizes (rectangular). The rectangular ESM-54, which is available with an active grip structure or with a smooth surface, can be used for special intermediate sizes. Both types can be laid both directly on the ground and under a floor covering such as a carpet.

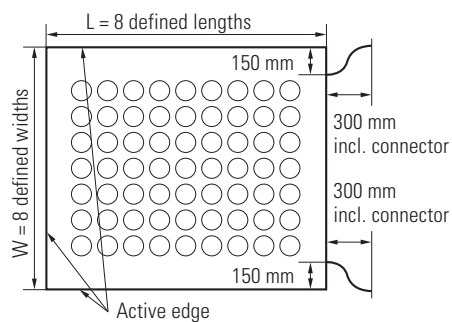


## Mat types ESM-52/54

You will find general technical data on safety mats as well as accessories on the last page.

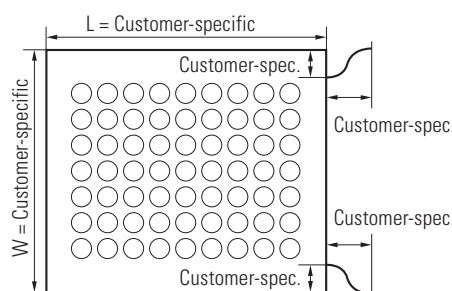
### ESM-52D

Surface with grip pads



### ESM-54

Surface with grip pads



### Types

- Length x width Customer-specific/  
8 defined sizes
- Thickness Active grip structure 11.4 mm  
Without structure 10 mm
- Weight Active grip structure 11.5 kg/m<sup>2</sup>  
Without structure 10.5 kg/m<sup>2</sup>
- Number of cables 2
- Cable length 300 mm (ESM-52) or  
customer-specific (ESM-54),  
max. 5 m
- Cable position 150 mm from edge (ESM-52),  
Side as shown in drawing, or  
customer-specific (ESM-54)
- No-load resistance > 10 Mohm
- Active switching edges 3 (ESM-52) or  
customer-specific (ESM-54)
- Surface See last page

### Ordering information ESM-52

Type:	ESM-52D	
Dimensions:	211708	ESM-52D-1000X1000
	211712	ESM-52D-1200X500
	211713	ESM-52D-1200X750
	211710	ESM-52D-1200X1000
	211711	ESM-52D-1200X1250
	211715	ESM-52D-1600X500
	211716	ESM-52D-1600X750
	211714	ESM-52D-1600X1000

Cable position: see graphic

### Ordering information ESM-54

Type:	ESM-54 with structure (A or D) or ESM-54G (smooth surface)	
Dimensions:	Length x width max. 1600 x 1000 mm or max. 1200 x 1200 mm; other sizes on request	
Cable position:	min. 10 mm from edge	
Cable:	1 or 2 pcs., length, with/without plug connector AMP 6.3 mm, with/without integrated resistor	



# Safety mats

## Safety mat ESM-57 – special shapes

### Tailor-made for your requirements

Do you have a special application with individual dimension and functional requirements? The ESM-57 mat is produced in the size, shape and with the surface that you require. You also have the option to individually determine the position of the cable outlet and to integrate various active switching zones, which are highlighted in different colours.

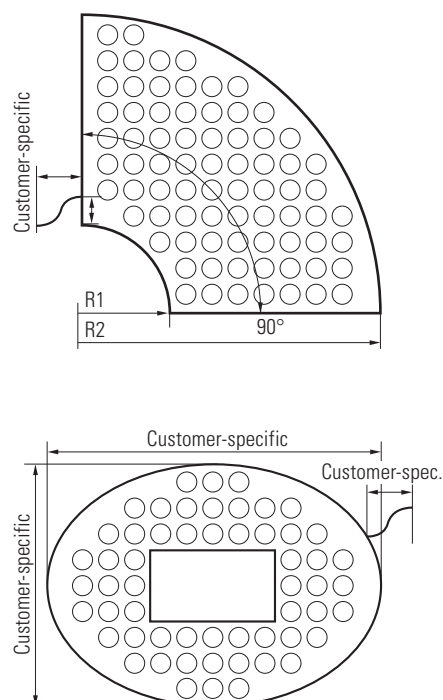


## Mat types ESM-57

You will find general technical data on safety mats as well as accessories on the last page.

### ESM-57

Surface with grip pads (or without structure)



### Types

- Length x width Customer-specific
- Thickness Active grip structure 11.4 mm  
Without structure 10 mm
- Weight Active grip structure 11.5 kg/m<sup>2</sup>  
Without structure 10.5 kg/m<sup>2</sup>
- Number of cables Customer-specific
- Cable length Customer-specific (max. 5 m)
- Cable position Customer-specific
- No-load resistance Customer-specific
- Active switching edges 0–3
- Surface and colours See last page

Safety mats are specifically adapted and produced according to your requirements. Our specialists will be happy to offer individual advice.

# Forklift mats

## Sensor mat for presence detection

### Developed for use on electrically driven vehicles

The EMP mat is installed on the standing platform of the vehicle and is primarily a surface switch that detects the presence of a person. The vehicle is stopped if the driver leaves the standing platform. This avoids serious accidents, injury to people and damage to property. It is therefore impossible to drive the vehicle from outside the operator's position in vehicles which are not designed for such a function, thereby guaranteeing safe vehicle operation.

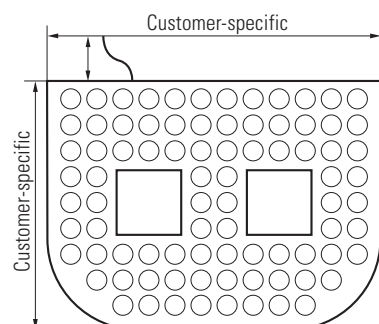
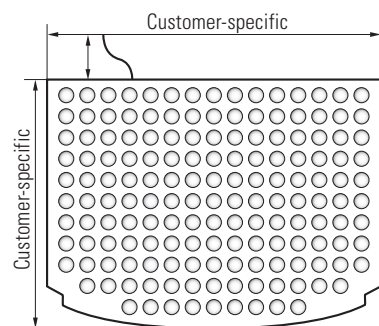


## ESM-Presence mat types

You will find general technical data on safety mats as well as accessories on the last page.

### EMP

Surface with grip pads (also without structure)



### Types

The EMP forklift mats are specifically developed and tailor-made in line with your requirements.

This means that the outline, dimensions, surface structure, mat strength, hardness, size and position of additional switching zones, as well as the number and position of cable outlets are freely configurable in many areas.

The cable connections can be fitted with the plug connectors of your choice. The customer-specific surface offers an optimum and therefore secure grip. The soft mat offers protection against harmful vibrations, safeguarding the driver's health. In combination with presence detection, additional zones for foot-switch functions can be integrated into the EMP forklift mats and highlighted in different colours.

Thanks to the tailor-made solution, the mat is adapted perfectly to your industrial truck. Our specialists will be happy to offer individual advice.

# ES-Button

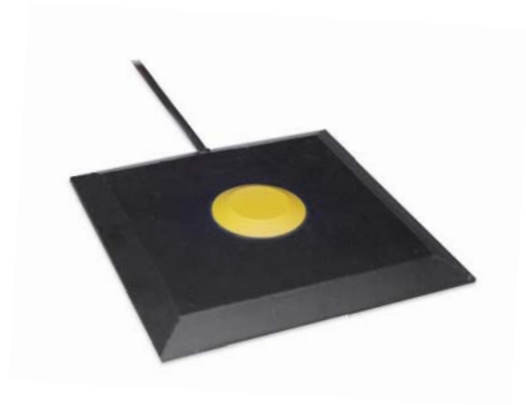
## ES-Button flat button

### Application

ES-Button is a flat button used to control different machine functions. Regardless of whether a door is to be opened by an impulse, or an application is to be started, ES-Button is the interface between man and machine.

### Benefit

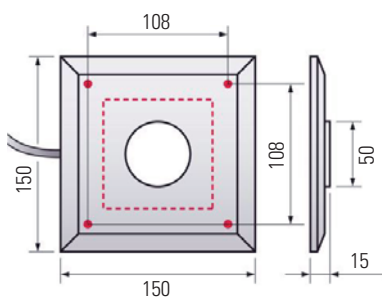
Mounted horizontally or vertically, it can be easily actuated by hand, foot or arm. The extremely robust design allows it to be used in a contaminated as well as in a moist environment, where it is subject to heavy mechanical loads.



# ES-Button

### Dimensions

in mm



- Active switching zone
- Marking for the mounting hole (max. 6 mm diameter)

### Activation options

- By hand



- By foot



- By arm



### Technical data

■ Dimensions	150 x 150 x 15 mm
■ Material	Polyurethane black/yellow
■ Weight	0.25 kg
■ Application temperature	+5°C to +50°C
■ Protection class	IP 67
■ Loading capacity	48 V, 0.1 A
■ Response power	35 N (typical)
■ Response travel	0.5 mm
■ Switching contact	Potential-free NO contact
■ Cable type	DM cable 2 x 0.5 mm <sup>2</sup>
■ Cable length	5 m

### Ordering information

Article no.	Designation
210970 ES-Button 150 x 150	ES-Button flat button with 5 m cable
211006 ES-EC-5	Extension cable 5 m
211005 ES-EC-10	Extension cable 10 m

## Ordering information (supplementary articles)

Art. no.	Description
<b>209310 ES-RR</b>	Edge ramp, length 6000 mm or as cut section
<b>209305 ES-ZT</b>	Fastening rail, length 6000 mm or as cut section
<b>210973 ES-CC</b>	Corner piece for edge ramp
<b>211968 ES-RC</b>	Straight plug connector
<b>211723 ES-MK</b>	Fastening set for edge ramp, set of 10 pcs.
<b>211969 ES-RE-8k2</b>	Terminating resistor 8.2 kohm
<b>210975 ES-CS-1150</b>	Guide strip, L = 1150 mm
<b>210976 ES-CS-1550</b>	Guide strip, L = 1550 mm

## Active grip structures

In the ESM-54/57, it is possible to select from the following structures:



**Structure A**  
 Ø 25 mm, distance 29.5 mm  
 grip pad height 1 mm



**Structure D**  
 Ø 23 mm, distance 25 mm  
 grip pad height 1.4 mm



**Structure G**  
 smooth surface

## Colours

In the ESM-54/57, it is possible to select from the following colours:



Yellow



Orange



Grey



Black

## Switching devices

See also switching devices brochure



Art. no.	Version	Voltage			Reset	Status relay		
		24 V ACDC	115 V AC	230 V AC		Detector Operation	Actuated	Fault
<b>210978</b>	ESD3-03			x	Auto	Closed	Closed	Open
<b>210979</b>	ESD3-03	x			Auto	Closed	Closed	Open
<b>210983</b>	ESD3-04		x		Auto	Closed	Open	Open
<b>210984</b>	ESD3-04			x	Auto	Closed	Open	Open
<b>210985</b>	ESD3-04	x			Auto	Closed	Open	Open
<b>210988</b>	ESD3-05	x			External	Closed	Closed	Open
<b>210994</b>	ESD3-06	x			External	Closed	Open	Open
<b>210997</b>	ESD3-08	x			Auto	Open	Closed	Closed
<b>211000</b>	ESD3-09	x			External	Open	Closed	Closed

## Technical data

### Safety mats

<b>Material</b>	Polyurethane (PUR)
<b>Material hardness</b>	55 ±5 Shore A / 80 ±5 Shore A
<b>Colours</b>	Black, Grey, Yellow, Orange
<b>Dimensions (length x width)</b>	– Max. 1600 x 1000 mm – Max. 1200 x 1250 mm – Min. 200 x 200 mm (smaller on request)
<b>Manufacturing tolerances</b>	– Length and width: +1/–1.5 mm – Thickness: ±1.5 mm – All other dimensions acc. to DIN ISO 2768-C
<b>Ambient temperature</b>	–25°C to +70°C (operation and storage)
<b>Loading capacity/Vehicle capacity</b>	– 1 x 2000 N/cm <sup>2</sup> , – 6000 x 2000 kg on fork lift truck roll 90 mm wide, – 1 million x 1000 N with test object 80 mm acc. to standard EN ISO 13856-1, – 5 million x 750 N with test object 80 mm, mat in combination with ES switching device
<b>Electrical loading capacity</b>	Voltage max. 48 V ACDC Current max. 0.5 A
<b>Response time</b>	<50 ms with ESD3 switching device
<b>Protection class</b>	IP 67 acc. to EN 60529 without cable ends
<b>Insulating strength</b>	> 1500 V AC
<b>Cable type</b>	2 x 0.5 mm <sup>2</sup>
<b>Cable length</b>	– Standard: 300 mm, with plug connector – Customer-specific: max. 5 m, without plug connector
<b>Composition (&gt; 1% by weight)</b>	– Polyurethane PUR (sealing compound) – Fibreglass epoxy resin (contact surface substrate) – Copper (contact surfaces, cables)
<b>Standards</b>	Bircher Reglomat safety mats correspond to PL e and cat. 3 acc. to EN ISO 13849-1 and are type-tested acc. to EN 13856-1
<b>Chemical resistance of PUR</b>	Weather, ozone, oils, petrol, water 20°C, solvents, acids

### Note

Technical details and recommendations concerning our products are based on experience and are an aid for the orientation of the user. Details stated in our brochures and data sheets do not guarantee special properties of the products. This does not apply to special product properties confirmed in writing or individually on a case-by-case basis. Subject to technical alterations.

## Your contacts

### Bircher Reglomat AG

Wiesengasse 20  
 CH-8222 Beringen  
 Phone +41 52 687 11 11  
 Fax +41 52 687 12 10  
 info@bircher.com  
 www.bircher-reglomat.com