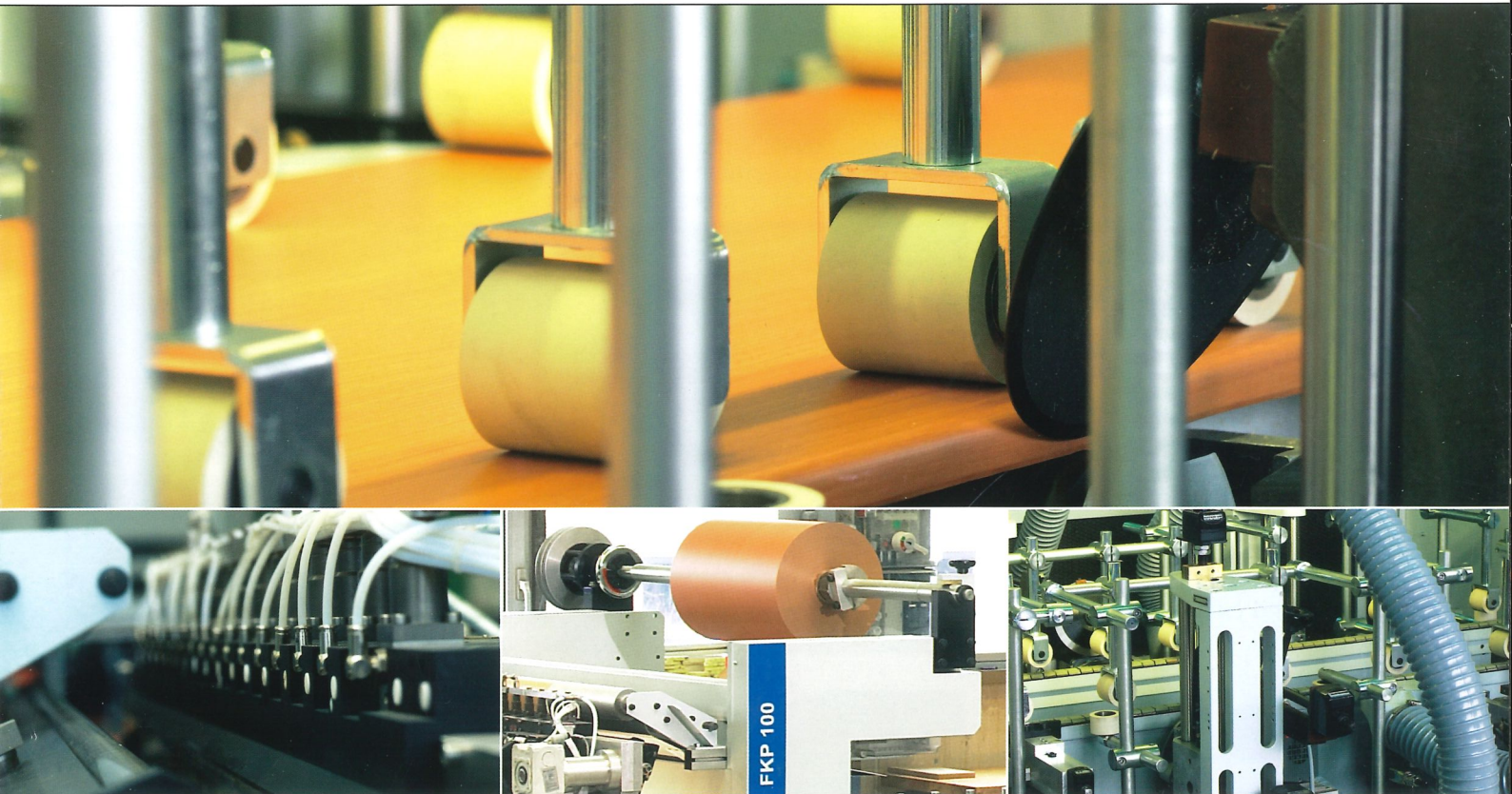


Optimat FKP 100 / FKF 100

Laminating machines for surfaces and edges



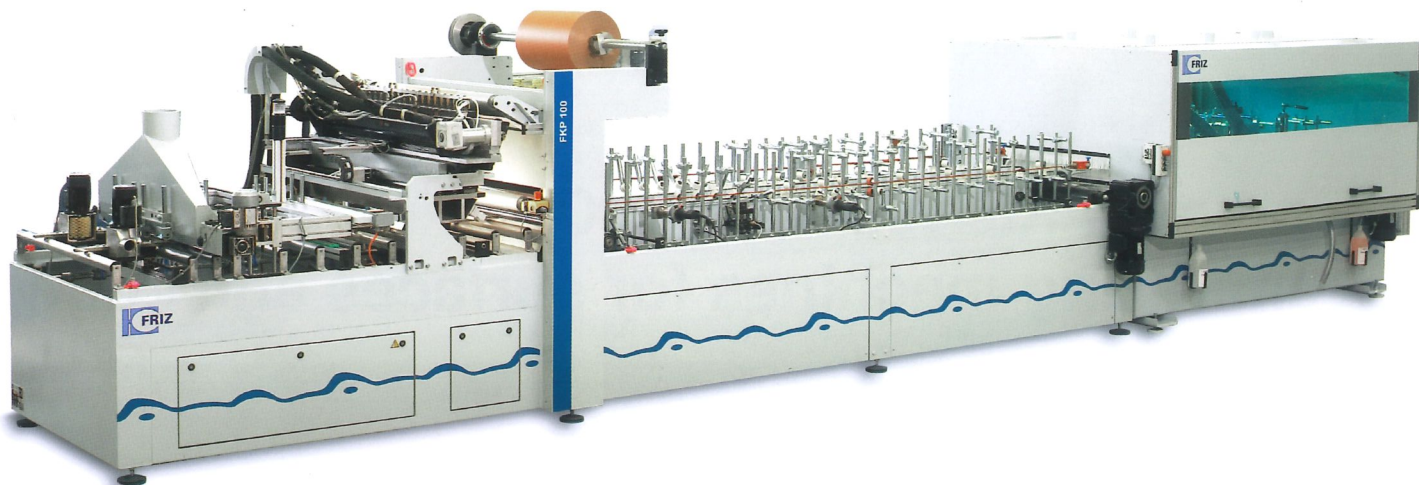
INDUSTRY

With system to success

Optimat FKP 100

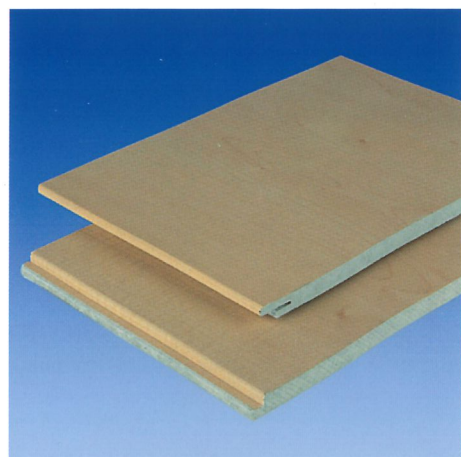
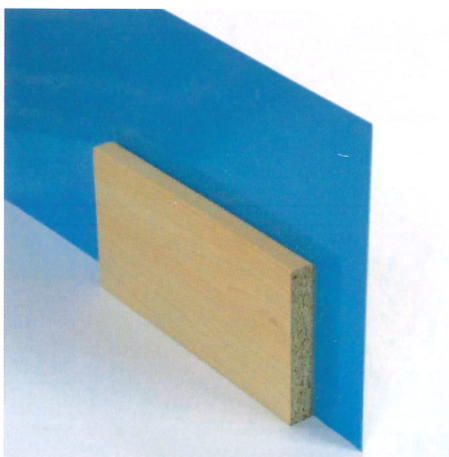
... Laminating machines for surfaces and edges

The new Optimat FKP 100 compact laminating machines are flexible machines and especially designed for small and medium-sized companies, or as additional systems for industrial enterprises. Their range of application: Lamination of the upper work piece surfaces or jointless wrapping of the two shaped longitudinal edges in one passage.

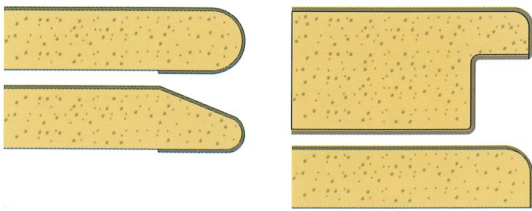


The machines are ideally suited for the following fields of application:

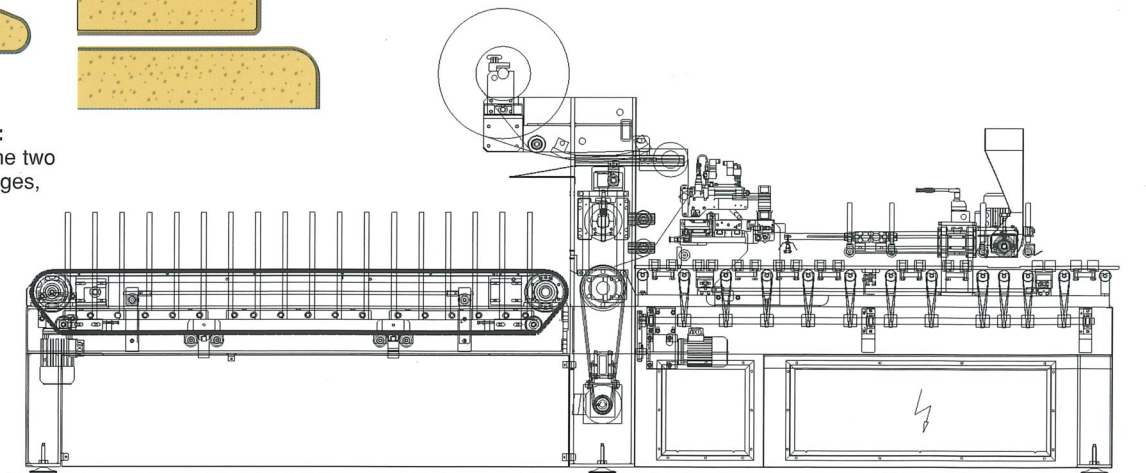
- derived timber products
- furniture fronts
- furniture rear panels
- carcass furniture parts
- dividing walls
- doors
- store and fair construction
- synthetic materials
- PU foamed plates
- aluminum and plastic fiber boards



Optimat FKP 100 – edge lamination

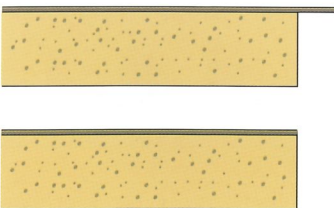


Range of application:
jointless wrapping of the two
shaped longitudinal edges,
surface lamination.

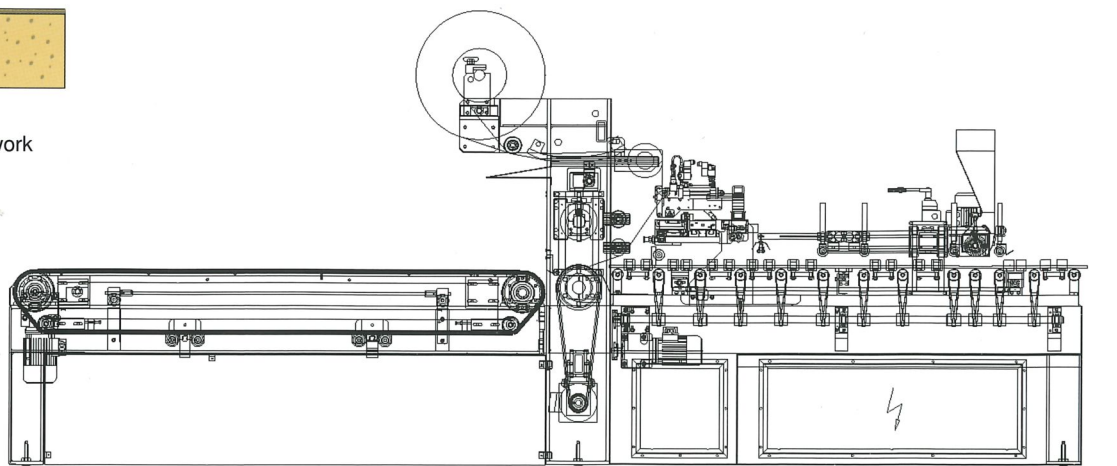


Due to the modular machine concept of the Optimat FKP 100 production series, the system can also be exclusively used for surface lamination (FKF). For this purpose, the wrapping zone is replaced with a chain conveyor. The two versions can of course be equipped for the processing of hot-melt-type adhesives (version DH) as well as for the processing of foils with adhesive coating at the rear (version VH).

Optimat FKF 100 – surface lamination



Range of application:
lamination of the upper work
piece surfaces.

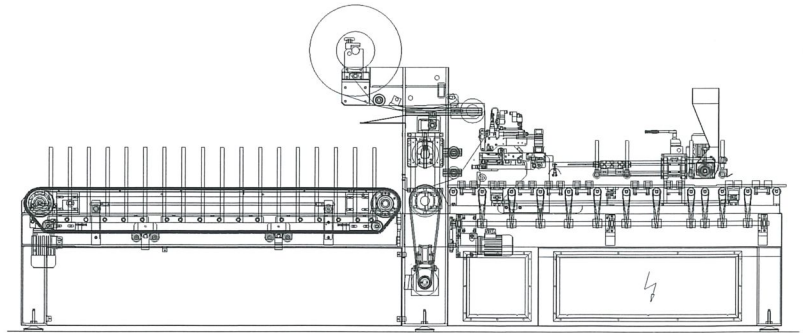


Optimat FKP 100

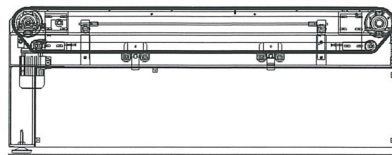
... simple, compact and flexible

The modular system in detail

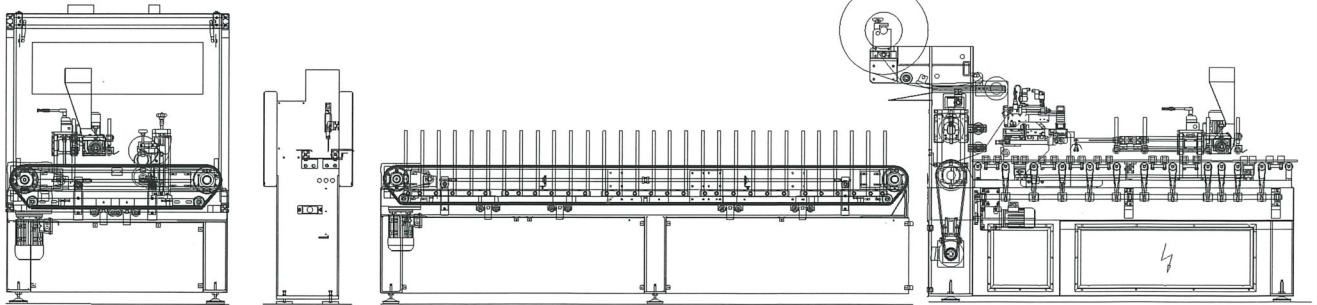
FKP 100/1/10/DH/R
basic machine with a
2.5 m wrapping zone



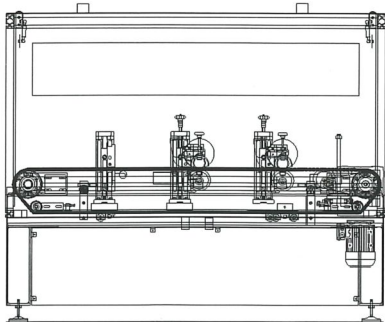
FKF 100/1/10/DH/R
basic machine with a 2.5 m end-
less discharging chain transporter



FKP 100/1/10/DH/R with extended wrapping zone

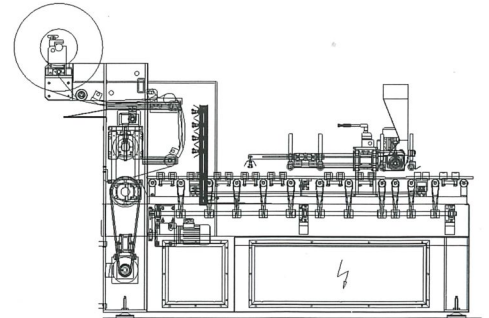


Finishing units, e.g. swinging ripping knives, milling units, trimming cutters, polishing machines, can be easily provided with FKP 100. Therefore the system can be individually adapted to the requirements of the company.

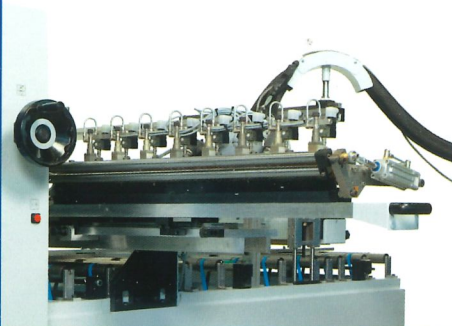
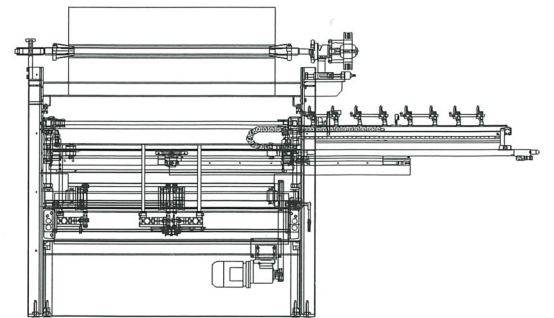


FKP 100/1/10/VH/R
basic machine

The adhesive application unit
was replaced with devices for
the reactivation of adhesive in this case.



The adhesive application unit
of Optimat FKP 100/DH can
be extended at the side for
maintenance and set-up work.



Optimat FKP 100 / FKF 100

Technical Data



	Optimat FKP 100/1/10/DH/R	Optimat FKP 100/1/10/VH/R	Optimat FKF 100/1/10/DH/R	Optimat FKF 100/1/10/VH/R
Working width max.*	1.000 mm	1.000 mm	1.000 mm	1.000 mm
Working width min.	170 mm	170 mm	170 mm	170 mm
Work piece length	800 – 3.600 mm	800 – 3.600 mm	800 – 3.600 mm	800 – 3.600 mm
Work piece thickness	10 – 40 mm	10 – 40 mm	10 – 40 mm	10 – 40 mm
Width of coating material*	1.000 mm	1.000 mm	1.000 mm	1.000 mm
Winding diameter	600 mm	600 mm	600 mm	600 mm
Internal diameter of pasteboard tube	76 und 152 mm	76 und 152 mm	76 und 152 mm	76 und 152 mm
Feeding speed	6 – 30m/min	5 – 20m/min	6 – 30m/min	5 – 20m/min
Working height above floor	950 mm	950 mm	950 mm	950 mm
Length of wrapping zone	2.500 mm	2.500 mm	–	–
Length of machine	5.000 mm	5.000 mm	5.000 mm	5.000 mm
Width of machine	1.600 mm	1.600 mm	1.600 mm	1.600 mm
Height of machine (upper edge of winding)	1.900 mm	1.900 mm	1.900 mm	1.900 mm
Weight of machine	3.200 kg	2.200 kg	3.200 kg	2.200 kg
Suitable adhesives	PUR, EVA, PO	–	PUR, EVA, PO	–
Suitable core materials	solid wood, MDF, chip board			
Suitable coating materials	<p>DH: Decorative papers from 50 g/m² up wound up on tube Thermoplastic foils, 0.1 – 0.2 mm thick, with primer coat, wound up on tube Veneers, up to 0.4 mm thick, ground, nonwoven laminated, wound up on tube, CPL laminate, 0.2 mm thick, wound up on tube</p> <p>VH: Decorative papers, coated with hotmelt adhesive at the rear and wound up on tube. ELESKO® laminates, coated with hotmelt adhesive at the rear and wound up on tube</p>			

* versions in different working widths: up to 1.300 mm for DH, up to 1.600 mm for VH

Standard equipment

- machine configuration with roller conveyor at the feeding side, lamination block and wrapping zone
- progressively adjustable work piece guides
- progressively adjustable wrapping tools
- unwinding with electronic brake and track width adjustment
- upper laminating roll optionally available in steel or with rubber coating
- width adjustable chain transport
- heating device for the reactivation of the adhesive coating at the rear **(only for VH)**
- slot nozzle application unit with mask or slide nozzle **(only for DH)**

Options

- wrapping zone (for DH) available in different lengths: 2.500, 4.000, 5.500 mm
- cleaning brushes
- work piece pre-heating
- tool carrier with hydraulic clamping device (QuickClamp)
- separating device for the coating material
- finishing units (in a separate machine frame)
- premelter units available in different performance classes
- device for „thin parts“

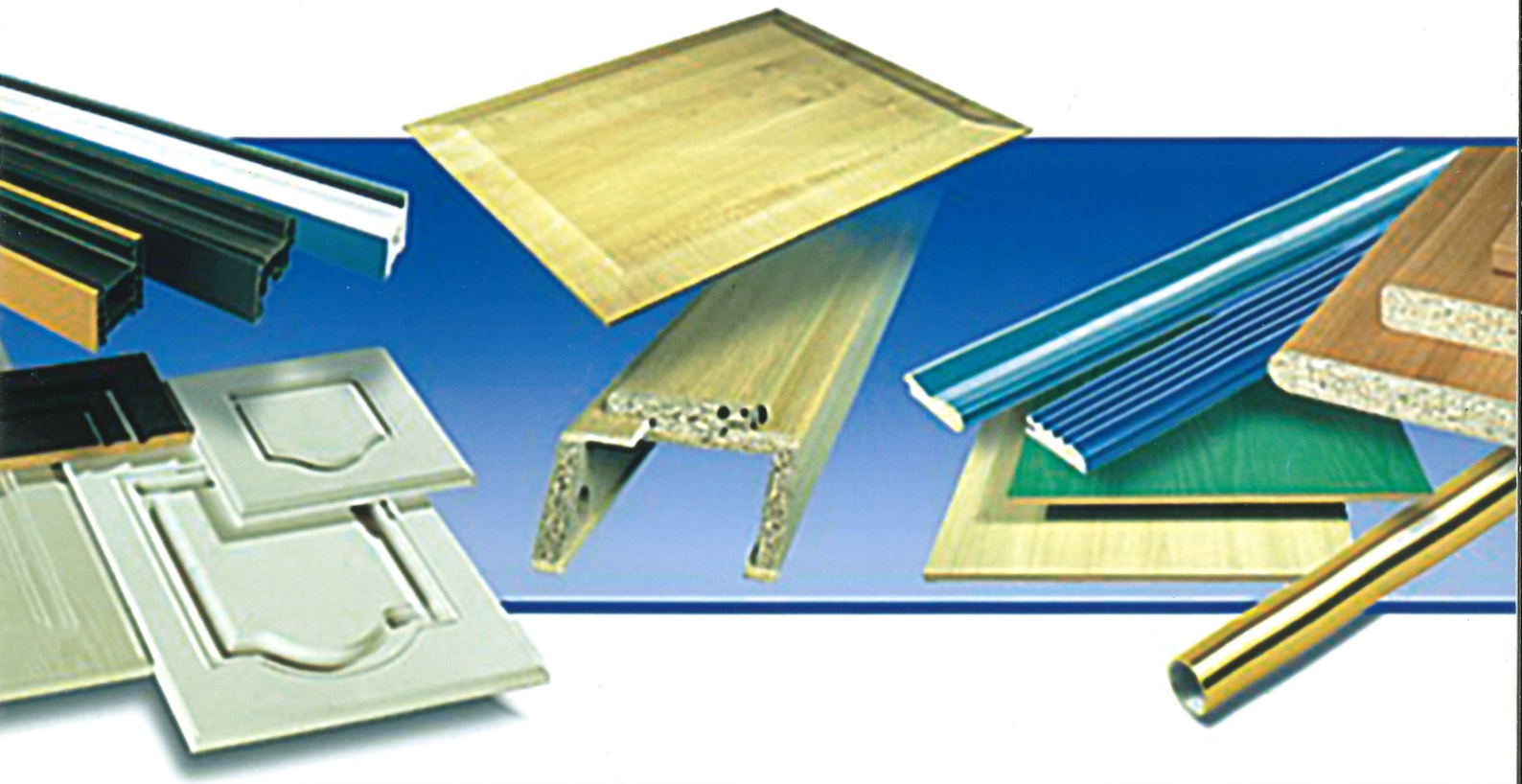
Innovation
... with uppermost competence

Profile wrapping
Membrane presses
Surface lamination

We have the optimal surface technology for your requirements - from the standard machine to your product specific system.

Our self-conception: machines with highest availability and profitability, individually adapted to your type of problem.

Your vision - is already reality for us.



A company of the HOMAG group



FRIZ
Kaschiertechnik GmbH

Im Holderbusch 7
D - 74189 Weinsberg
Telephone: +49 (0) 71 34-5 05 - 0
Telefax: +49 (0) 71 34-5 05 - 20
E-Mail: info@friz.de
Internet: www.friz.de