

1265 S

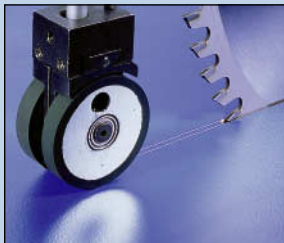


Vertical Panel Saw 1265S

- Patented Supercut scoring system for chip-free cutting ready for finishing
- Powerful 4 HP motor cuts through panels with ease and accuracy
- Sturdy all welded steel frame - gives smooth cutting accuracy
- Integrated dust extraction system - keeps work areas clean
- Shifting back grid moves for horizontal cutting

Standard equipment and options

Technical Data	1265S
Working dimensions	
Cutting dimensions (inches)	
Length x height	129 x 64
Edging height	62 1/2
Cutting depth	2 (max)
Cutting depth depends on material type	
Saw Unit	
Motor power	4 HP 230V. 60Hz
Saw blade dia.	8.6" (220 mm)
Saw blade speed (rpm) at 60Hz	6540
Extraction	
Air requirement (cfm)	825
Air speed (fpm)	3936
Unit connection (mm)	65 (2 1/2")
Static under pressure (Pa)	900
Machine dimensions	
Floor space required (in./mm)	
Length	163 / 4150
Depth	56 / 1420
Height	89 / 2260



The patented "Super cut" scoring innovation uses parallel carbide tipped knives instead of scoring saw blade, to cut all coated and veneered panel materials. Precise alignment with the main saw blade is incredibly simple. The 4-way reversible scoring knives stay sharp longer, and produce a greater number of chip-free edges ready for banding, with no visible glue line.

Specifications are based on approximate values. All HOLZ-HER products are subject to ongoing innovation, therefore HOLZ-HER reserves the right to modify equipment designs, update any or all information and/or illustrations contained herewith. Illustrated models may also depict optional equipment. Contact your nearest HOLZ-HER distributor for exact specifications. For demonstration purposes, models shown may not feature their provided protective hoods.

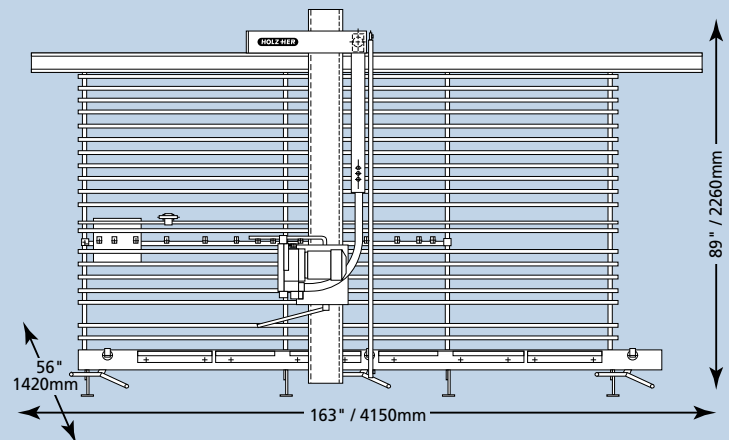
Your authorized HOLZ-HER Special Machines Dealer:

Standard Equipment

- Supercut scoring, with 4 way reversible blades
- Length stop with "mm & in." measuring tape
- Full-length panel support
- Rip gauge
- Central work piece support over two fields
- Dust extraction
- 3 mechanical panel rollers

Options

- Digital indicator for horizontal cuts
- Digital indicator for vertical cuts
- Stop rail (lower)



HOLZ-HER

Corporate Office:
5120 Westinghouse Blvd.
Charlotte, NC 28273
Tel.: (704) 587-3400
Fax: (704) 587-3419

West Coast Office:
Tel.: (909) 484-9181
Fax: (909) 484-9191

Canadian Office:
Tel.: (800) 361-9367
Fax: (450) 963-7667

www.holzher.com



special machines from a special company