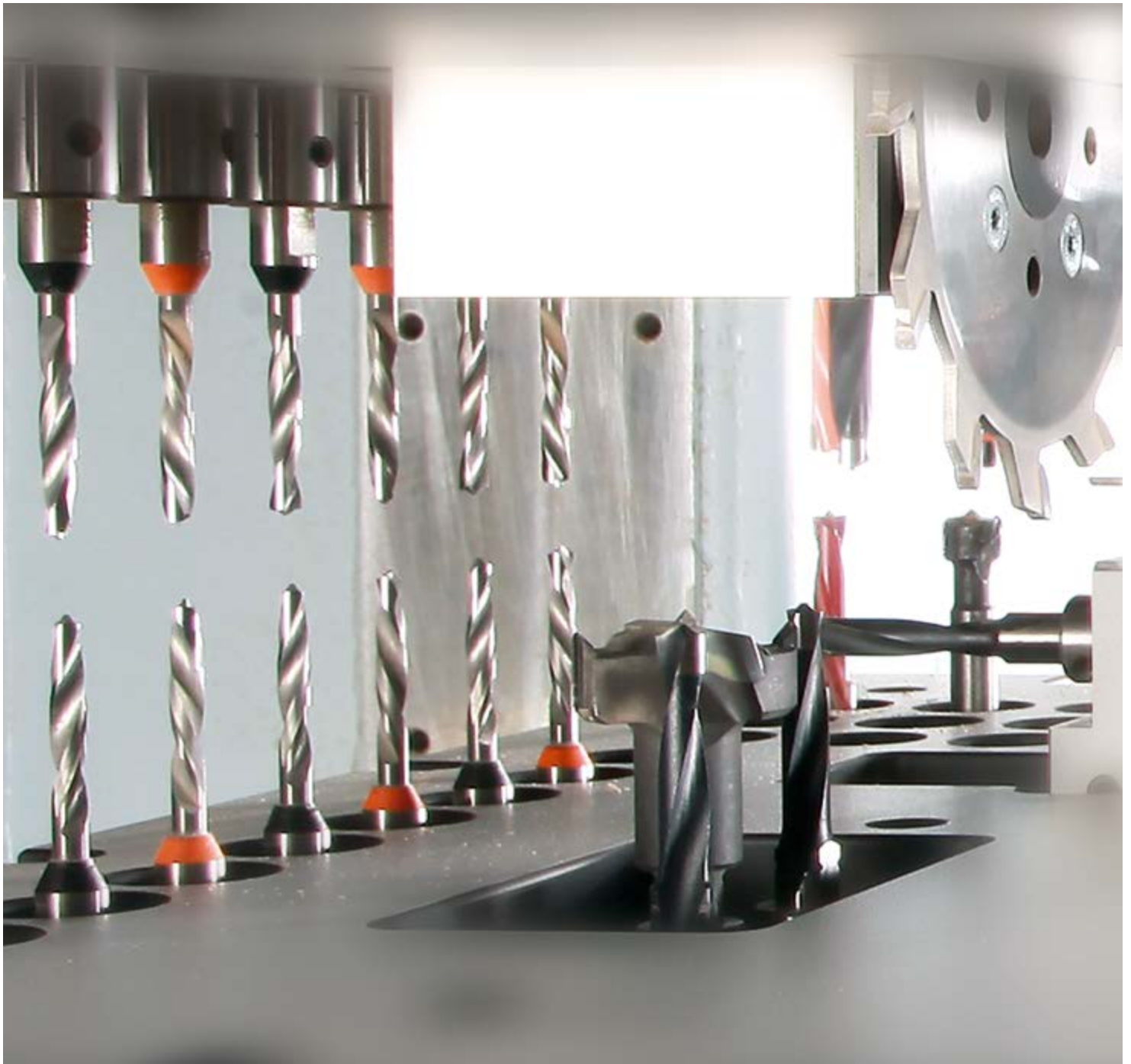


Throughfeed Processing Center
ABH 100 profiLine







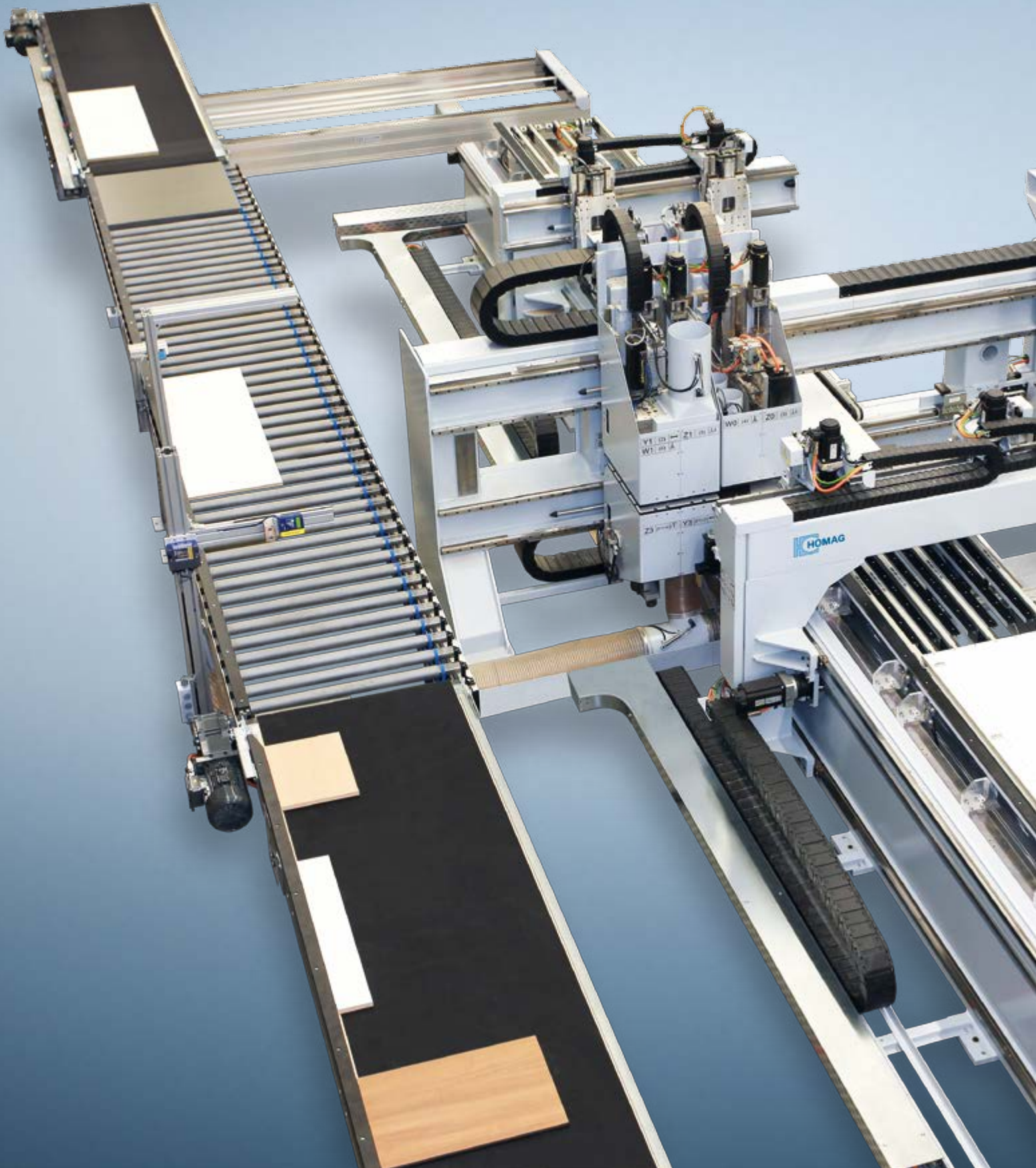
ABH 100 – 6-sided processing without compromises

The 6-sided workpiece processing in just one cycle offers everything the customer's heart desires. Regardless whether drilling, routing, grooving or fitting insertion – the ABH 100 can combine everything individually. The integrated dynamic clamping system generally ensures safe and precise workpiece handling. As standard, all drilling units are equipped with the patented spindle clamping thus ensuring a continuously exact drilling depth. As quality »Made in Germany« stands for tradition and for us it is motivation and commitment, all in one.

The Result: **YOUR SOLUTION**

Contents

- 04 ABH 100 | Highlights
- 06 The equipment types
- 10 Software
- 11 Technical Data

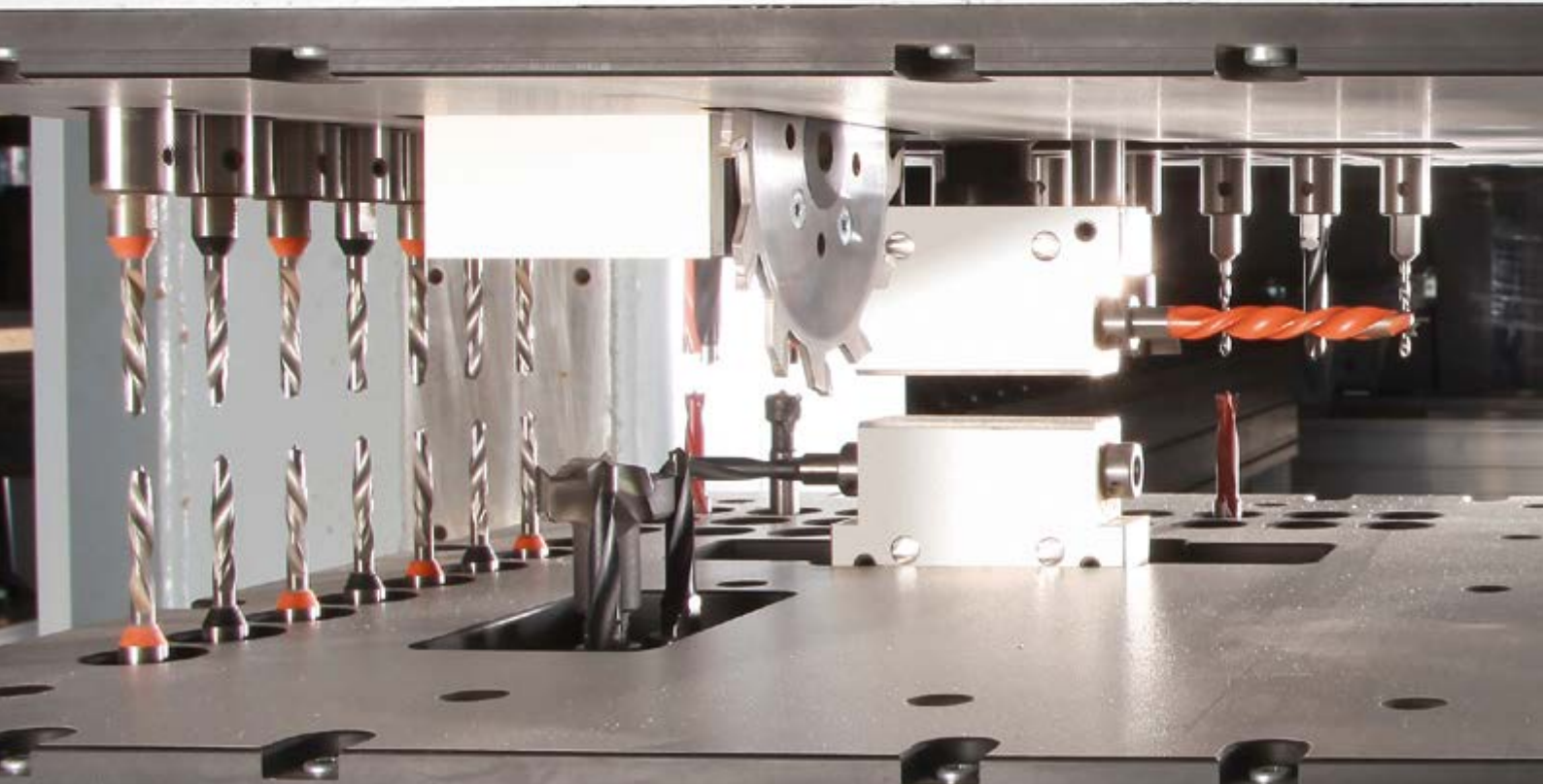


ABH 100

The performance range:

- **6-sided workpiece processing – complete processing in one cycle**
- **Dynamic clamping system ensures safe and precise workpiece transport**
- **Freely configurable equipments:**
 - Vertical drilling from top and bottom
 - Horizontal drilling in front and longitudinal edges
 - Vertical routing from top and bottom (tool changer available)
 - Grooving from top and bottom
 - Dowels in front edges
 - Fitting insertion from top and bottom
- **Flexible process integration as production cell or in complete production lines (batch size 1)**





The equipment types

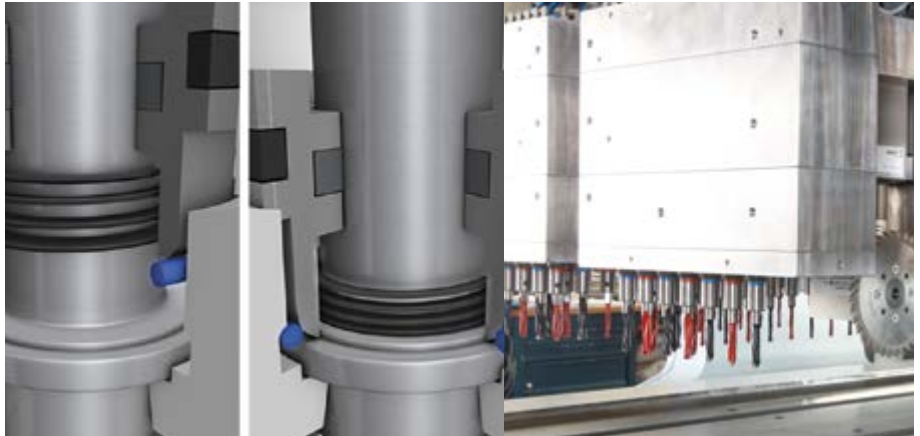
THE EQUIPMENT POSSIBILITIES OF THE ABH 100 enable you to meet the varied processing requirements with one machine.





Automatic spindle clamping system

- Patented system
- Always exactly the same drilling depth – irrespective of materials
- Constant quality by high repeat accuracy



High-speed drilling block | vertical

- Single-head or split-head arrangement
- Automatic spindle clamping system
- Extendable by grooving saws and horizontal drilling spindles (longitudinal edges)



High-speed drilling block | horizontal (front edges)

- Individually activated spindles
- Automatic spindle clamping system

Routing aggregate (left/right hand rotation)

- Routing of roller shutter grooves
- Corner notching





8-fold tool changer

- Quick tool changing
- From top and/or bottom

Insertion aggregate for mounting plates

- Alternatively mounting plates can be screwed



Aggregate for glueing and dowelling

- Precise, horizontal dowel insertion
- Glue flow control



Workpiece handling

- Clamping systems for safe and precise positioning of workpieces
- The clamping system allows 6-sided processing – even in edge zone

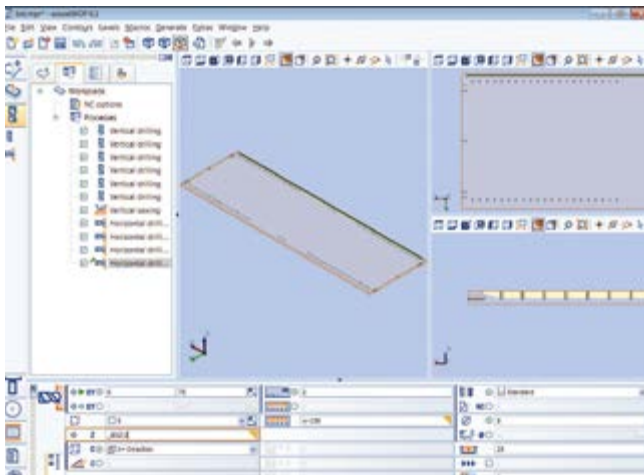


Software

WITH THIS SOFTWARE PACKAGE YOU ARE »READY TO RACE«. You will receive one of the most established CNC-programming systems, the woodWOP software, which has proven itself by more than 30.000 installations worldwide.

Please use our website:
Worldwide largest forum for woodWOP:
Free Download of woodWOP-components:
www.homag.com/Produkte/Software





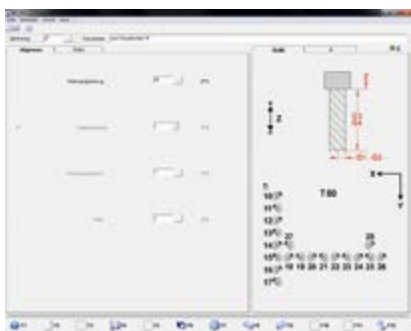
woodWOP

- Worldwide established CNC-programming system – already more than 30.000 installations
- More safety and control in programming by 3D-presentations of all relevant elements



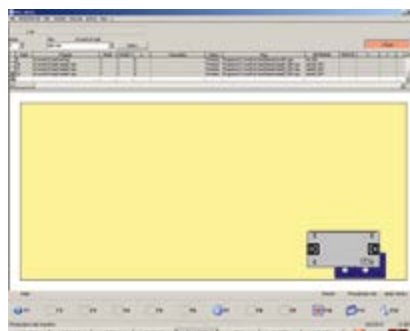
powerControl

- 17" TFT monitor
- Provision teleservice capability
- Front USB interface
- Ethernet connection 10/100 Mbit
- Ergonomic hand terminal



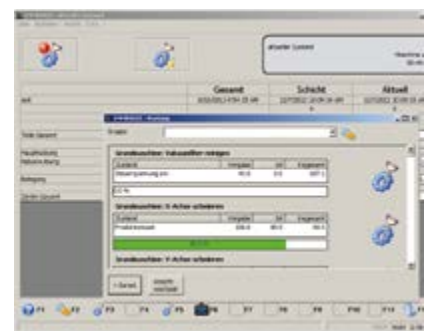
Tool database

- With graphic operator guidance to manage tool data



Production list software

- For management and creation of product lists for individual manufacturing

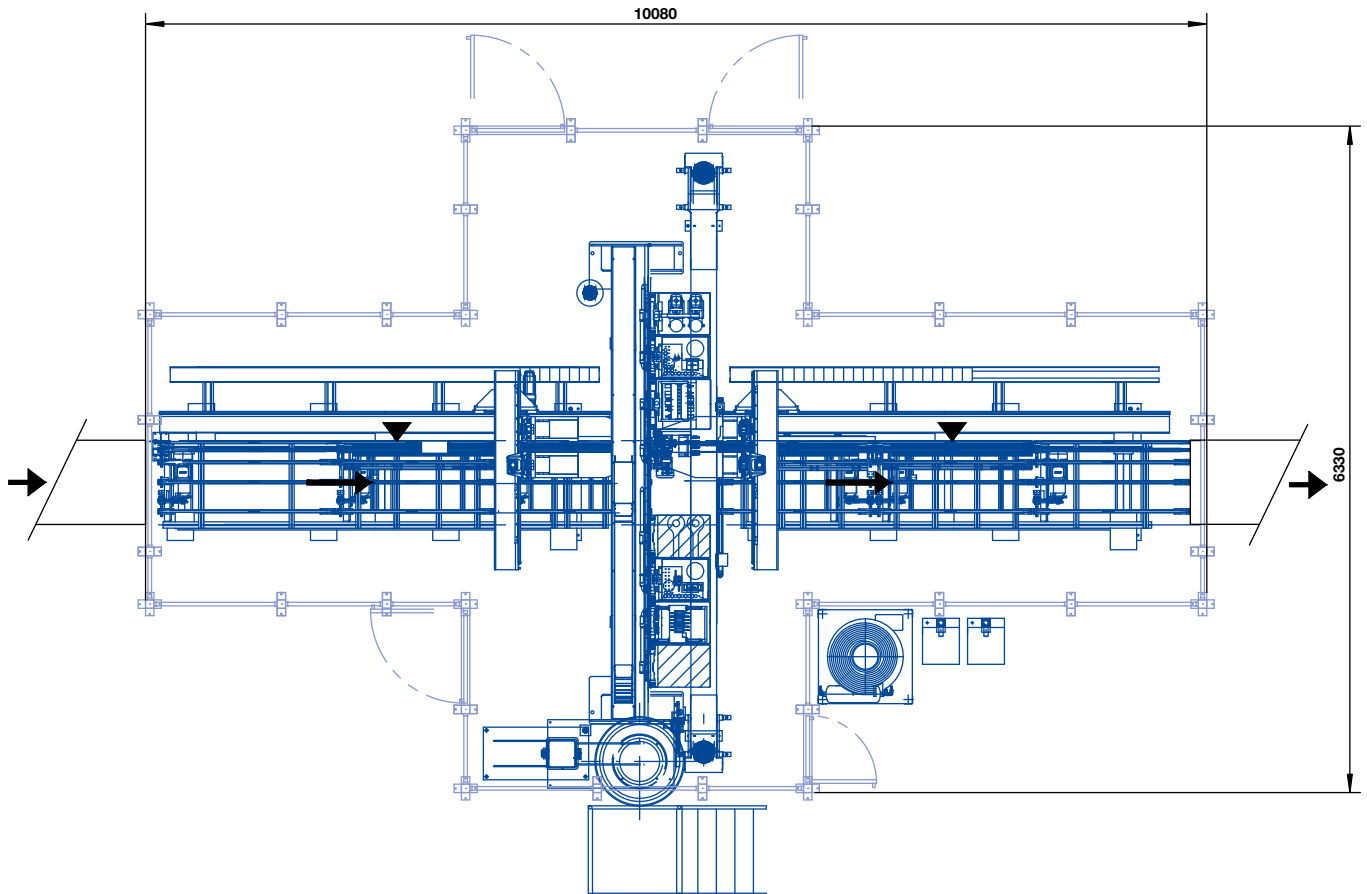


Machine Data Recording Basic

- Machine Data Recording – collecting and evaluating machine states via time meter and event meter

Technical data

Sample layout ABH 100



WORKPIECE DIMENSIONS

	MIN.	MAX.
Workpiece length	250 mm	2500 mm
Workpiece width	100 mm	800 mm
Workpiece thickness	13 mm	50 mm

Further dimensions on request

HOMAG Bohrsysteme GmbH

Benzstraße 10-16
33442 Herzebrock-Clarholz
GERMANY
Tel.: +49 5245 445-0
info-herzebrock@homag.com
www.homag.com



For the Success of Original
Technology. A VDMA Campaign