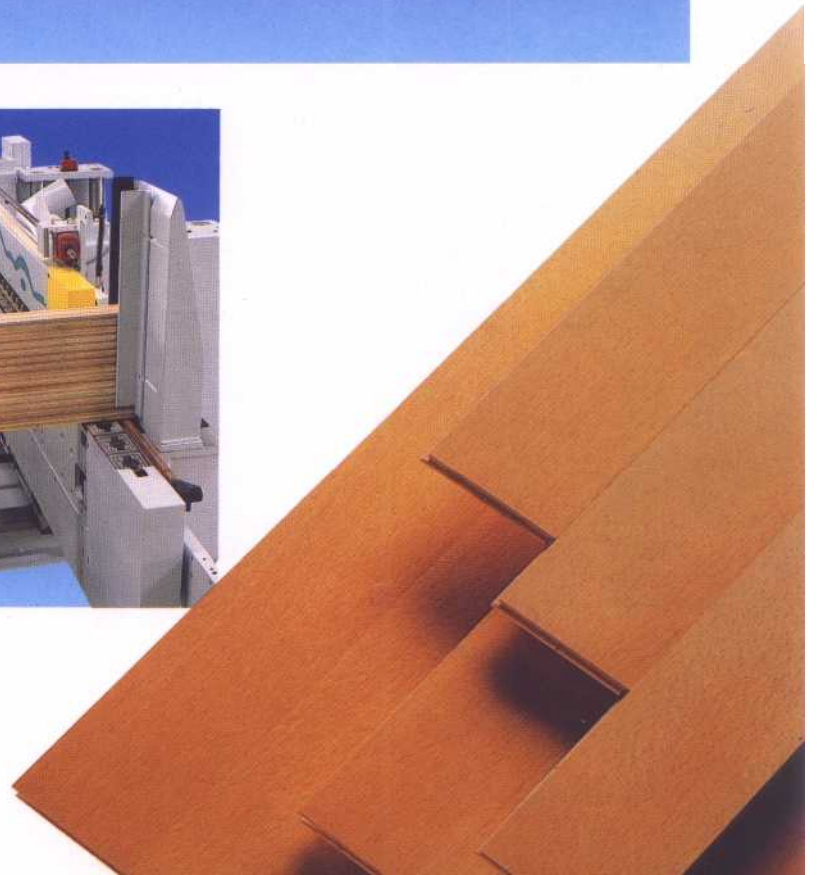


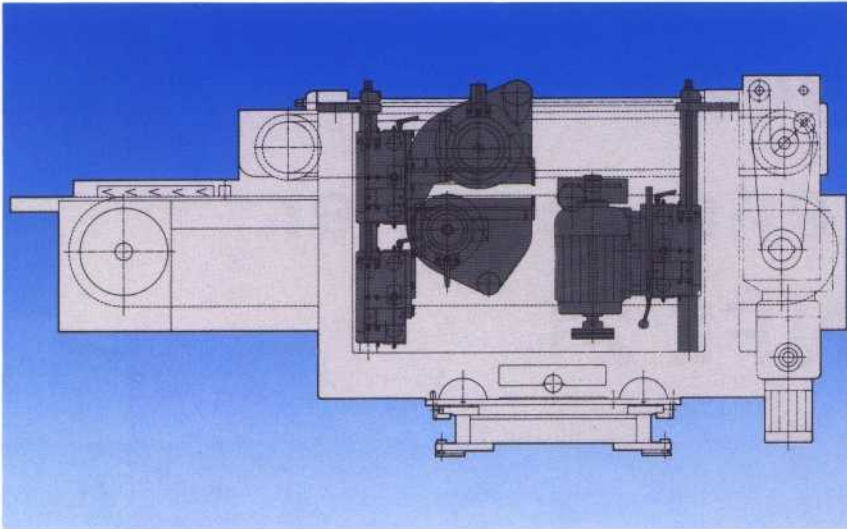
New Generation

Double-end tenoner Ecomat NFL 21

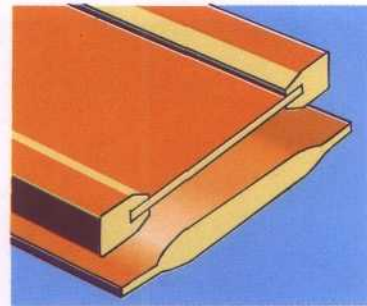
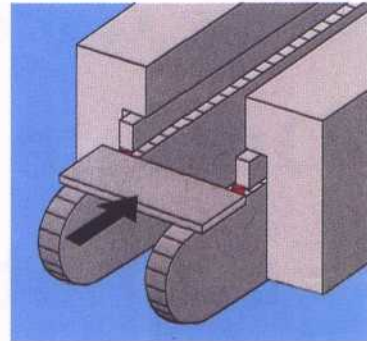


- Easy to use
- Compact
- Optimal
- Money saving
- Advanced
- Technological design

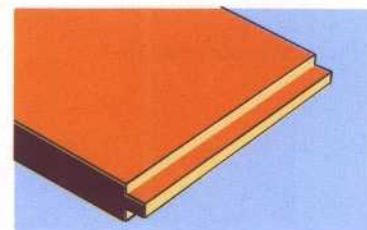
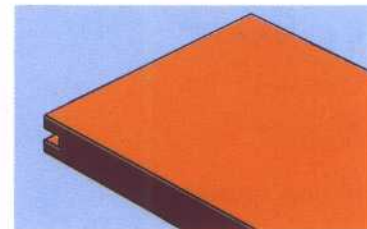
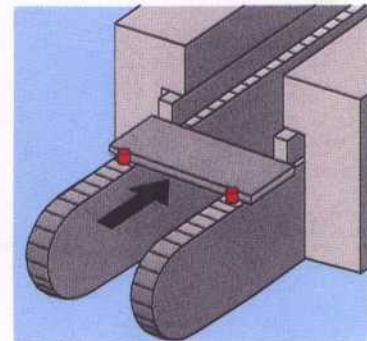




(F) For furniture processing



(P) For parquet processing



T E C H N I C A L D A T A

Machine

Overall length	3350mm
Overall width	2610mm
Overall height	1370mm
Working height	920mm

Motor

Scoring bottom	2.2Kw, 3000rpm
Scoring top	4.0Kw, 3000rpm
Trimming	5.5Kw, 6000rpm

Tools

Scoring bottom	φ 250mm
Scoring top (Scoring/Sawing)	φ 250/305mm
Trimming	φ 200mm

Workpiece dimensions

Width	190-2600mm
Thickness	6-65mm
workpiece overhang	10-110mm
Feed speed	5-25m/min
Cam distance	400mm
Cam height	16mm

Operating voltage	380/50Hz
Control voltage	220V

Note: Not all details of our specifications are binding. We reserve the right to make changes in the interests of technical progress.

Our sales partner

HOMAG ANDERSON
 Add: No. 418, Fang-Ta North Road
 Songjiang County, Shanghai, China
 TEL: +86 21 57740970
 FAX: +86 21 57740977
 P.C.: 201613