

power control system PC22

Optimum programming and operation

The power control system PC22 permits efficient operation and simple machine programming. Production faults are reliably detected and can be quickly remedied.

Efficient programming with woodCommander

In woodCommander, the application parameters of the various units are entered and stored in the form of programs. woodCommander is characterised by the following performance features:

- Graphic support wherever possible. each parameter is explained in graphic terms.
- Simple navigation and menu prompting
- Graphic preview during program selection
- For improved program management,

files are shown with long names and stored on the PC hard disk together with a commentary

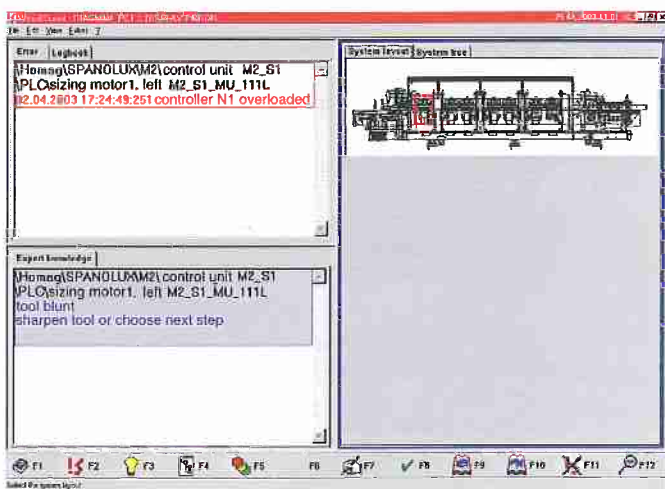
- Summary of parameters in macros, e.g. for effective tool management
- Display of parameter status, e.g. axis status, makes for greater transparency
- Operator prompting system to indicate necessary manual adjustments in non-automated units
- Bar code control possible (option)
- Integration possible in production line control system
- Tooling data offset when changing tools

High productivity with woodScout

PLC programming in accordance with IEC61131, the only available world-wide standard

The machine's logic is based on the IEC61131 standard, ensuring maximum servicing convenience due to the international availability and development of know-how in this field.

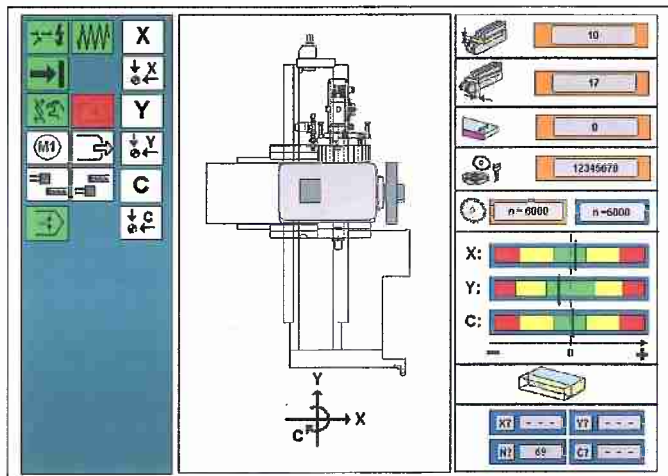
- Defined by PLC-Open, an organization unaffiliated to any product or manufacturer
- Web-Link: <http://www.plcopen.org/>
- Included in the standard EN 660204-1 "Electrical equipment of machines" as the basis for the CE mark of approval.



Diagnostic system woodScout

This system provides a user-friendly display of error messages and a graphic visualisation of machine statuses. The woodScout system permits systematic troubleshooting and results in substantially increased system availability.

- Easily understandable error messages in plain text
- Prevention of follow-up error messages
- Clear localisation of faults
- Learning capability due to assignment of causes and actions taken in response to faults (user and expert knowledge)
- Increased productivity due to systematic troubleshooting
- Visualisation of machine status, as well as sensor and actuator activity on different levels



woodScout with graphic PLC diagnostics:

e.g. sizing motor

- Graphic depiction of plant and machine statuses
- Indication of all important sensor and actuator statuses
- Optimum support for the elimination of machine standstill => enhanced plant availability
- Display of all important unit statuses
- Display of tool no., speed, tolerance fields of axis values etc.

- Intuitive bottom-up navigation by mouse click

The aim of woodScout is to allow the machine operator to independently and effectively remedy faults, reducing the need to call on support from the service hotline.

Online language changeover

The PC22 control system is now available in many different national languages. Alongside the European languages, Chinese and Japanese are also supported. Changeover from one language to another is possible in running operation by pressing a button. This is an enormously useful function for our service technicians.

PC22 hardware: intelligent PCs

Alongside the real-time components of the modular power control functions, a high-performance industrial PC is available as a hardware platform for PC22. As well as performance, particular importance is attached here to efficient data backup. The control system PC22 comes with two hard discs of which at least one is integrated in a changeover frame. The machine works with one hard disk, while the other is used for data backup and kept in the safe. As data backup is performed using an identical medium, 1:1 backup is possible. This method, known as "cloning", ensures that in the event of damage to the first hard disk, the machine can simply continue to operate using the second back-up disk. This back-up strategy is unique in the woodworking machinery sector. The PC22 control system also features an uninterruptible power system (UPS) as standard. The industrial PC's software also provides optimum preparation for assistance by means of remote servicing, with the whole range of remote diagnostic functions available from remote control through to data transmission.



Homag Holzbearbeitungssysteme AG

Homagstraße 3-5
72296 SCHOPFLOCH
GERMANY

Tel.: +49 (74 43) 13-0
Fax: +49 (74 43) 13 23 00
E-Mail: info@homag.de
Internet: www.homag.com