

Briquette Press

Anti-pollution System
Efficiency, Reliability and High Performance



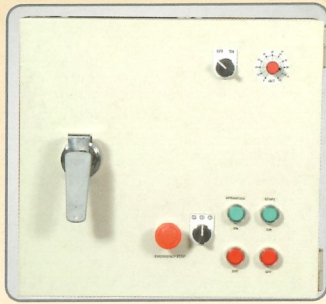
BP-500



Holytek's latest patented product, the BP-500 Briquette System is an efficient and cost-saving way of dealing with wooden chips or fine dust. The machine will form briquettes from your waste materials and not only save storage space but also create an economical heating product. The BP-500 is extremely easy to use and also reduces air pollution, the best re-cycle system from waste material.

HOLYTEK

HOLYTEK Innovative Briquette Press



Switch Control Panel



PLC Digital Controller

ADJUSTABLE 3 SPEEDS FOR DIFFERENT MATERIAL



1. Speed One: For Fine Dust. Dust from Sanding Machines, Crushing Machines and Panel Saws.



2. Speed Two: For Large Chips. Chips from Planers, Moulders, Shapers and Routers

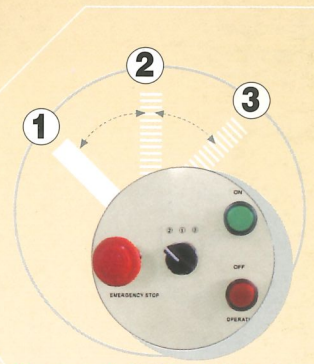


3. Speed Three: For Mixed Dust, i.e. Fine Dust and Chips.



Special Patented Design

Before being pressed, all the wood material should be dry to reduce the humidity of the wood chips. This design ensures a more efficient briquetting process.



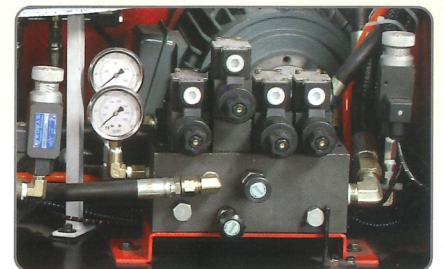
3-speed Adjustable for Different Materials



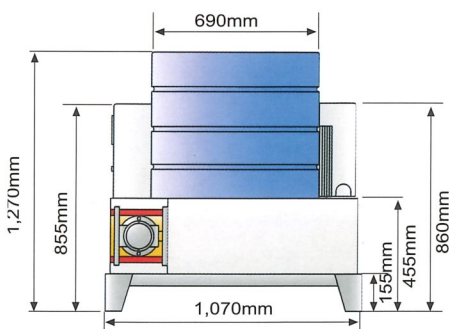
- Heavy-duty Motor for Hydraulic Pump
- Auto-electrical Control System



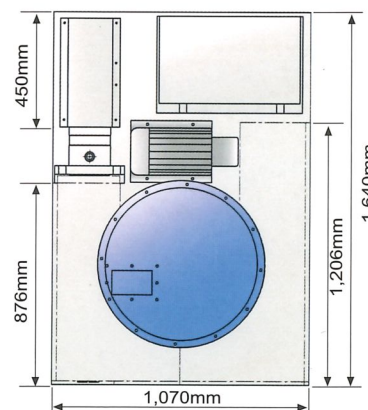
- Air Cooling Fan to Control the Temperature of the Hydraulic Oil.



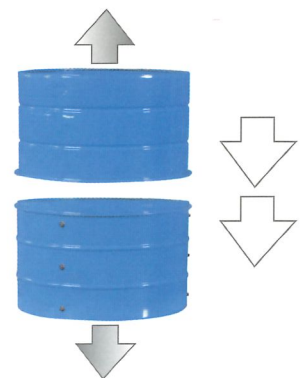
- Hydraulic Transmission
- Closed Circuit Oil Cooling System



Side View



Top View



- Space Saving Design.

There is a separate tank to reduce the packing size. This is half the size of other manufacturers thereby saving your shipping costs.

Specifications:

Production	30 ~ 60 kgs/hr.
Hydraulic Pump Motor	7-1/2 HP.
Briquette Diameter	65 mm.
Capacity	8 cycles/min.
Press power rate	about 700 kg.cm ²
Packing size	1,655 x 1,170 x 1,030 mm.
Net weight	750 kgs.
Gross weight	870 kgs.

HOLYTEK

HOLYTEK INDUSTRIAL CORP.

9F-1, NO. 400, SEC. 1, CHANG PING RD., TAICHUNG, TAIWAN, R.O.C.

TEL: 886-4-2245-2818 (REP.) FAX: 886-4-2243-6928

E-mail: holytek@ms13.hinet.net

http://www.holytek.com.tw

CAT NO:200105-1