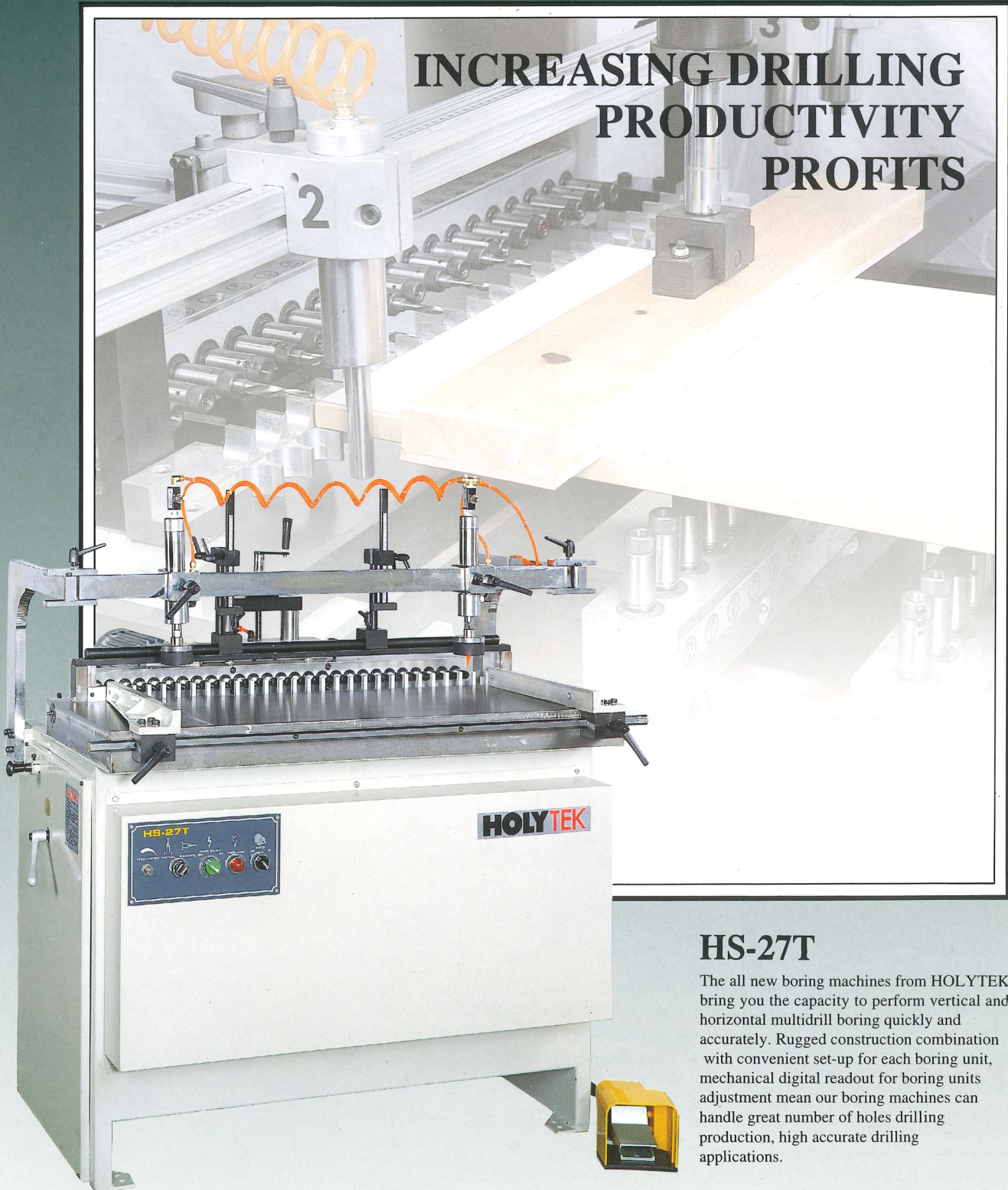


Multi  
Drill

# Boring Machine

INCREASING DRILLING  
PRODUCTIVITY  
PROFITS

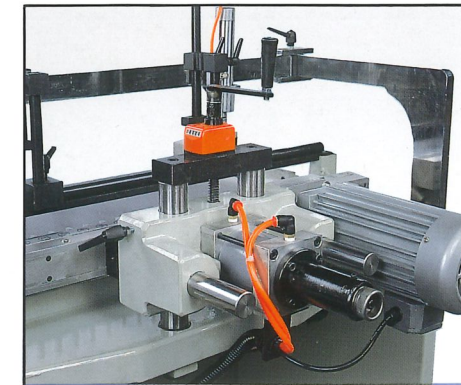


## HS-27T

The all new boring machines from HOLYTEK bring you the capacity to perform vertical and horizontal multidrill boring quickly and accurately. Rugged construction combination with convenient set-up for each boring unit, mechanical digital readout for boring units adjustment mean our boring machines can handle great number of holes drilling production, high accurate drilling applications.

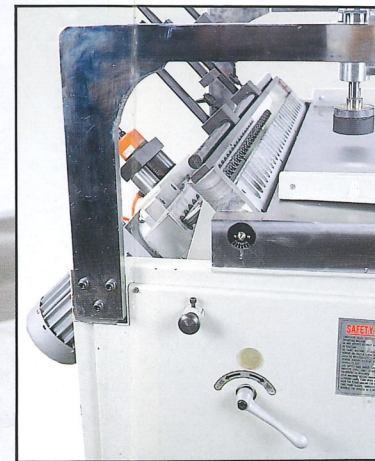
**HOLYTEK**

## HS-27T (27 spindles) HS-35T (35 spindles)



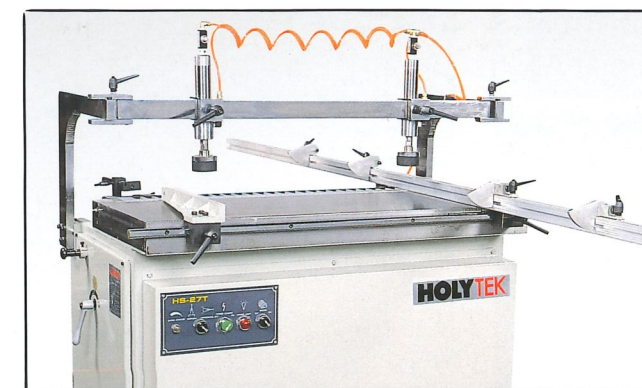
### Accurate adjustment of boring unit

- \* The boring depth can be micrometrically adjusted.
- \* A speed stabilizer (option) is available for smooth boring head feeding against the workpiece.
- \* The boring unit can be adjusted vertically. A mechanical digital readout is provided for accurate adjustment.



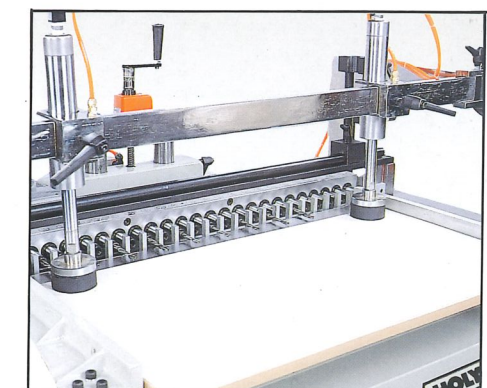
### Tilting boring unit

- \* The boring unit can be tilted to 45° for angular boring operations.



### Fences

- \* Two fences are provided for drilling small and big panels.
- \* The rule gauge is equipped with adjustable stop for repetitive drilling operations.
- \* The rule gauge is set crosswisely for cross drilling operations.



### Adjustable boring unit

- \* The boring unit can be changed from horizontal to vertical drilling by pneumatic setting.
- \* The boring unit is standardly equipped with a 27-spindle boring head.

**MAXIMIZE YOUR BORING OPERATION WITH THE PERFORMANCE PROVEN BORING MACHINES.**

### FEATURES

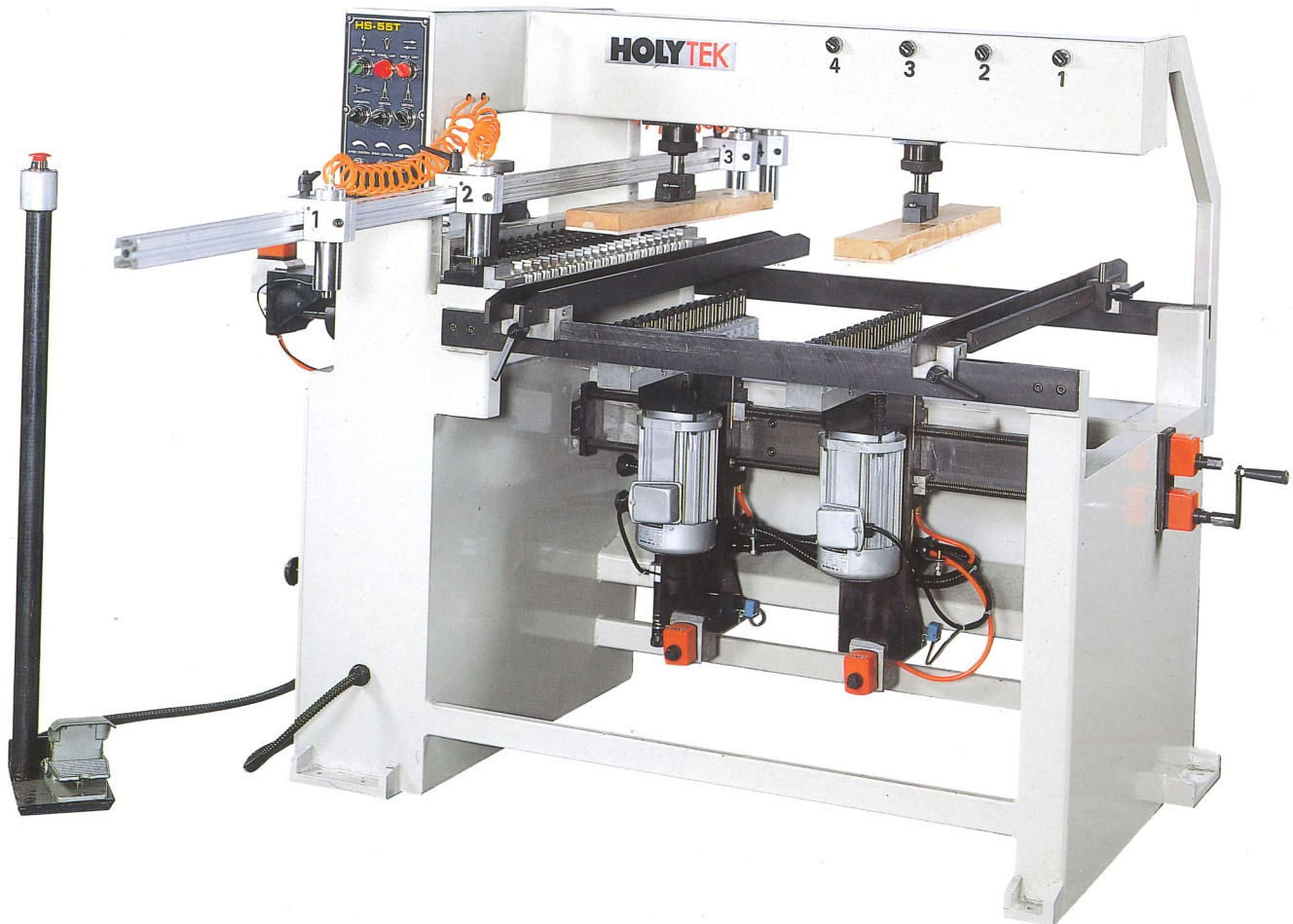
- \* The machine is constructed of single line horizontal boring unit.
- \* The boring unit can be changed from horizontal to vertical drilling by pneumatic setting.
- \* The boring unit can be tilted manually for angular drilling.
- \* Entire boring cycle can be fast and conveniently accomplished by pressing on the foot switch.
- \* Drilling feed speed can be conveniently adjusted on control panel.
- \* Standardly furnished with 27-spindle boring head (HS-27T), or 35-Spindle boring head (HS-35T), 32mm center distances are available.
- \* Two fences provide convenient positioning of the workpiece.

### SPECIFICATION

MODEL	HS-27T	HS-35T
Max. distance between center	32mm	32mm
Number of spindle per boring head	27	35
Max. drilling depth	80mm	80mm
Max. height of bore	65mm	65mm
Table size	1052 × 500mm	1450 × 500mm
Spindle speed	2800rpm	2800rpm
Motor	2.5HP	2.5HP × 2
N.W./G.W	400kgs/480kgs	550kgs/680kgs
Machine size	1220 × 820 × 1370mm	1470 × 920 × 1250mm
Packing size	1320 × 920 × 1370mm	1570 × 920 × 1370mm

\* All specifications, dimensions and design and design characteristics in this catalogue are subject to change without notice.

# **HS-55T** (21 spindles on horizontal boring unit, each 17 spindles on two vertical boring unit)

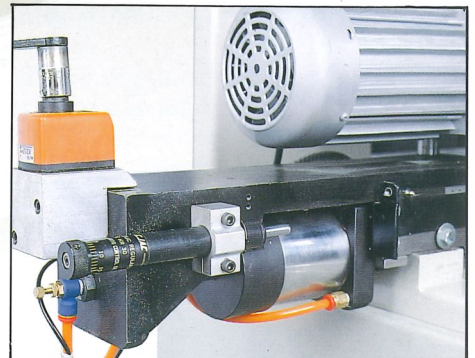


*NEW DEVELOPMENT FROM HOLYTEK SPEEDS UP YOUR LINE ON DRILLING OPERATIONS.*

## **FEATURES**

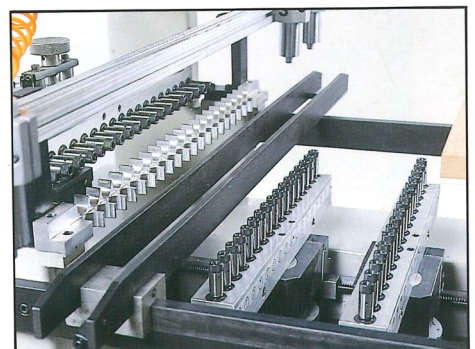
- \* Combining single horizontal and two vertical boring units in a machine for high efficient drilling operations.
- \* The vertical boring units can be set at 90° for cross drilling operations.
- \* Boring units can be operated simultaneously or individually.
- \* Entire boring cycle can be fast and conveniently accomplished by pressing on the foot switch.
- \* Standardly furnished with 21-Spindle on horizontal boring head, and each 17-Spindles on the two vertical boring heads.
- \* Mechanical digital readouts are provided for each boring unit, providing accurate adjustment.
- \* A speed stabilizer (option) is available for providing smooth feeding against the workpiece.
- \* The air operated stoppers provide conveniently repetitive drilling operations.
- \* Fast connector provides convenient fitting and dismantling.
- \* Fitted with emergency stop bar for safety guard.

# HS-55T



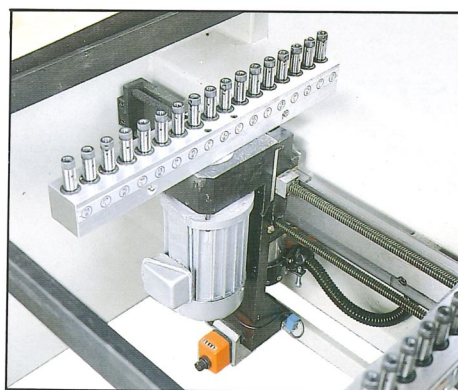
## Horizontal boring unit

- \* The horizontal boring unit can be adjusted in upward/downward, direction.
- \* A mechanical digital readout is provided for accurate depth adjustment.
- \* A speed stabilizer is provided for smooth feeding. (option)



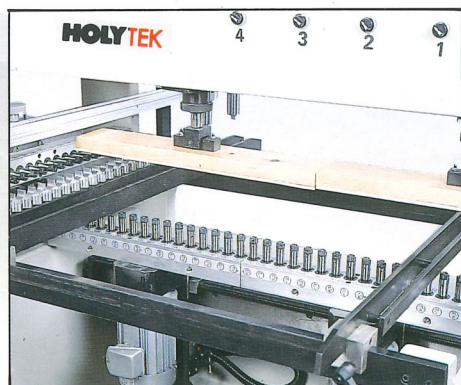
## A combination of vertical and horizontal boring units

- \* Separately powered for simultaneous or individual operations.
- \* Standardly furnished with 21-Spindle on horizontal boring head, and each 17-Spindles on the two vertical boring heads.



## Vertical boring unit

- \* The vertical boring units can be set at 90° for crosswise boring operations.
- \* Distance between both boring units can be adjusted, with mechanical digital readout for accurate adjustment.
- \* Simultaneous or individual operation for both heads.



## Longitudinal boring

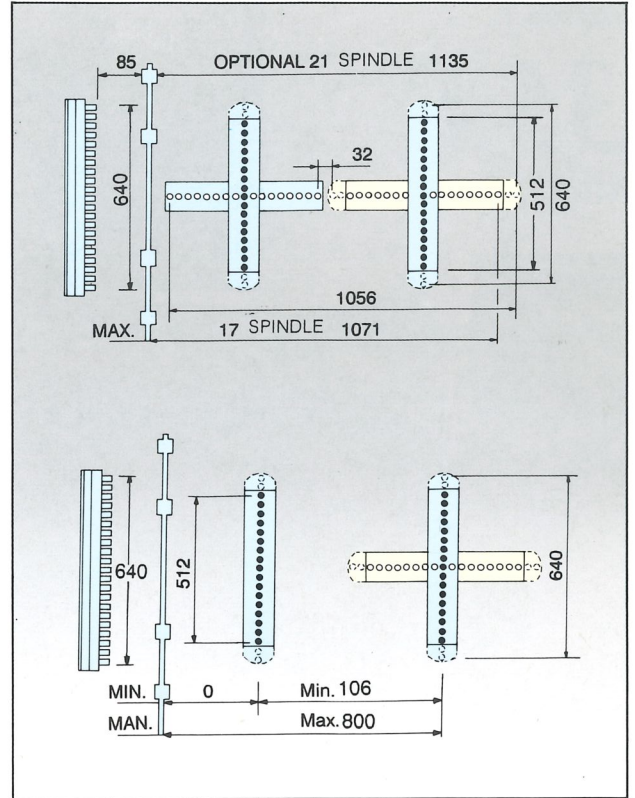
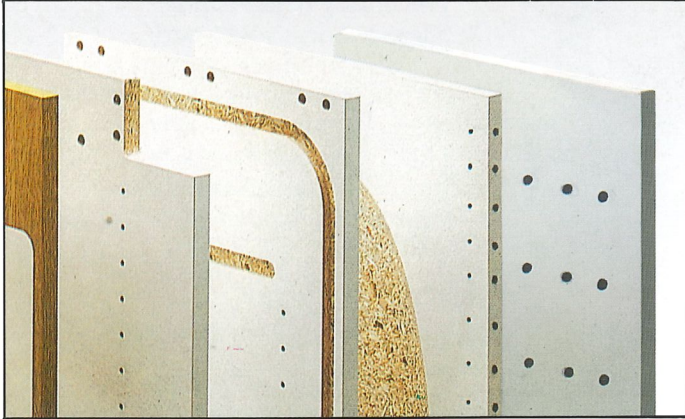
- \* The vertical boring heads are set at 90° for longitudinal drilling.



## Adjustable stoppers

- \* Air controlled stoppers provide conveniently repetitive drilling.
- \* Separate control for each stopper.

# HOLYTEK



## SPECIFICATION

MODEL	HS-55T
Max. distance between centers	32mm
Number of spindle per boring head	21 + 17 + 17 (21 + 21 + 21 Optional)
Max. boring depth	80mm
Total motor power	1.5HP × 3
Spindle speed	2800rpm
N.W./G.W.	750kgs/850kgs
Machine size	1800 × 1200 × 1320mm
Packing size	1900 × 1320 × 1480mm

\* All specifications dimensions and design characteristics in this catalogue are subject to change without notice.

# HOLYTEK

**HOLYTEK INDUSTRIAL CORP.**

NO. 132, LIU YANG W. RD., PEITUN DIST., TAICHUNG, TAIWAN, R.O.C.  
 TEL: 886-4-2323453 (REP.) FAX: 886-4-2336928