

From now on sawing will be fun.

T75 PreX

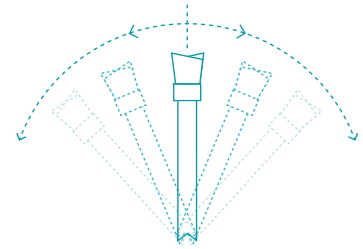
MARTIN



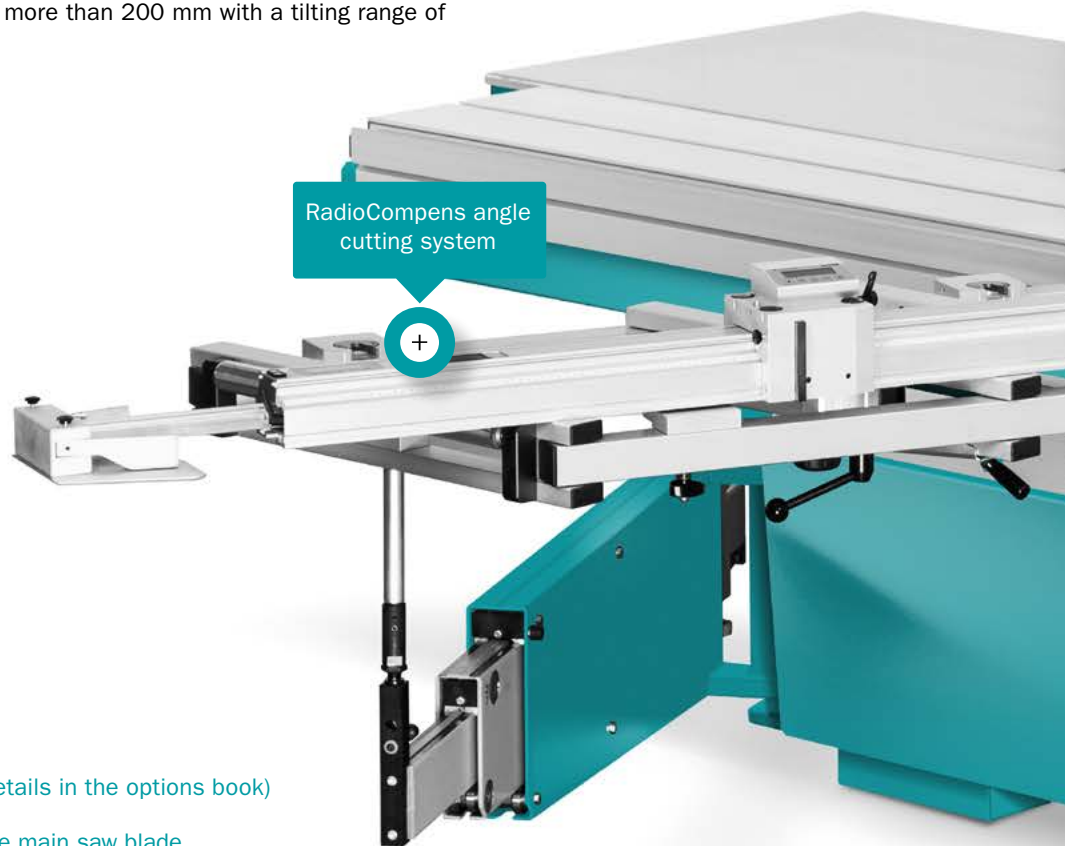
T75 PreX

When you want to bequeath a classic to the next generation today.

We have built a lot of innovations into this premium machine, so that you have complete freedom. With the T75 PreX, for example, you have the freedom to perform each angle cut on the cross-cut fence and rip fence exactly as required for your tasks and the workpiece being machined. You can do this because for the first time we have combined a cutting height of more than 200 mm with a tilting range of 2 x 46°.



Saw blades tiltable to both sides



T75 PreX with accessories (further details in the options book)

T7502 | Infinitely variable speed for the main saw blade

T7509/3 | Cutting width 1,350 mm

T7511 | Electric motor positioning of the rip fence

T7513 | Additional guard 60 mm

T7523 | Electrically adjustable scoring-saw unit (3 axes)

T7550 | RadioCompens angle cutting system

T7574 | Rip fence pneumatically lowerable

Increased time savings and greater convenience when working.

The T75 PreX supports you with its modern 10.4" touchscreen control system of the highest performance level. This modern machine operation ensures the machine is simple to use and helps you to calculate workpiece dimensions or angles, for example.



Operation by
touchscreen

+

Freely combinable
guards

+

Sliding table
with replaceable
table lip

+

Dual
tilting drive

+

MARTIN

T75


Perfect precision in one cut.

The powerful cut
up to 204 mm height.

A powerful, continuously adjustable speed-controlled 7.5 kW motor option ensures that the remarkable cutting height can also be used effectively. Even at 11 kW motor rating, the saw blade is adjusted to an accuracy of 0.01° – just as you would expect from a MARTIN. The T75 PreX offers a tilting range of 92° , which can be used accurately, reliably and quickly thanks to the new DualDrive system.



The unique
MARTIN DualDrive
delivers incomparable
precision.



Saw blade pivoting on both sides

Quick, precise, flexible. The rip fence.



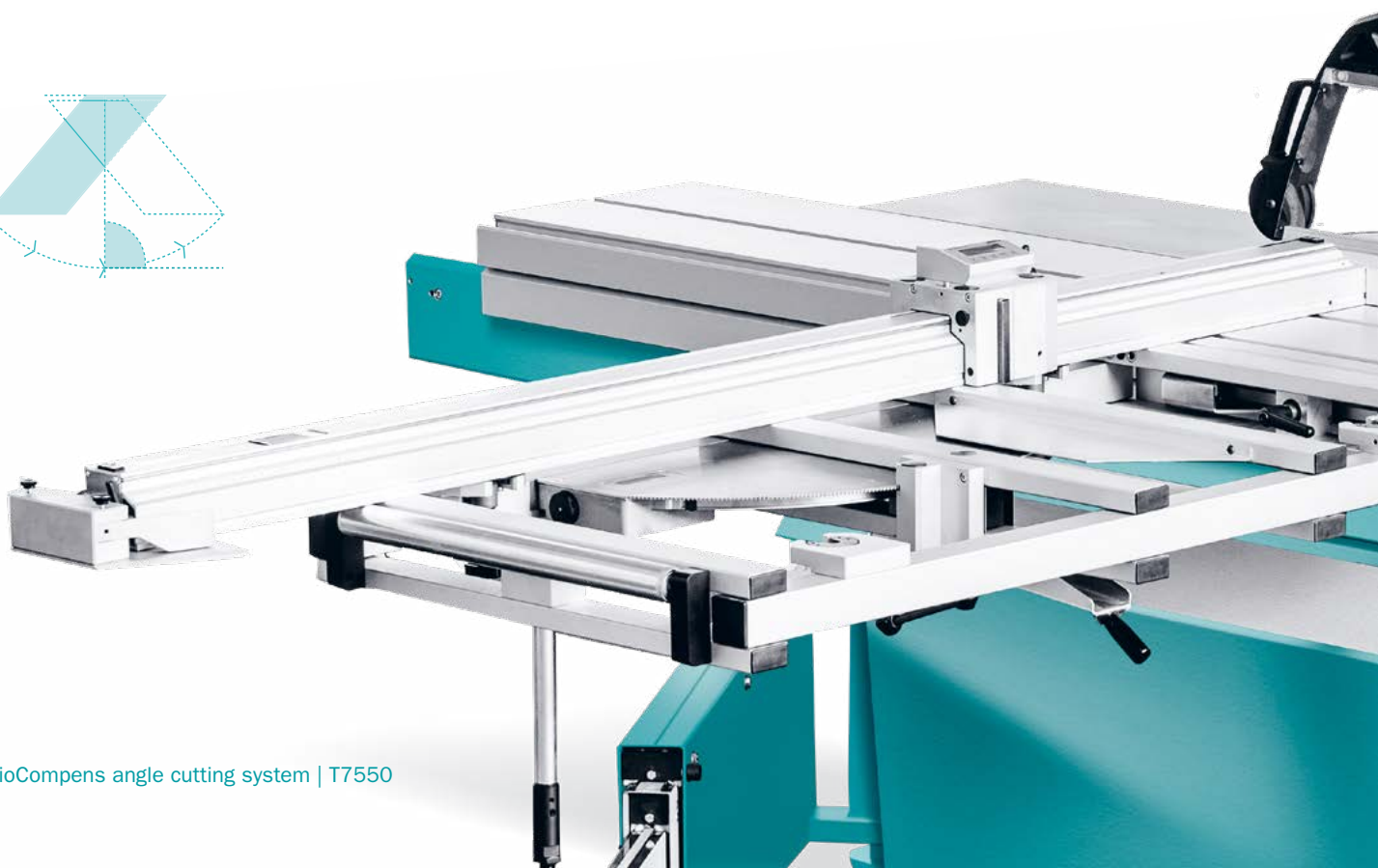
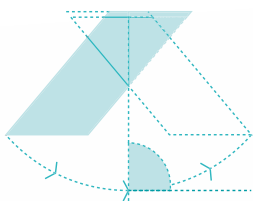
Rip fence guide | Standard



Lowerable rip fence | T7574

In order to be able to move the fence of the T75 PreX quickly and easily, you only need to press a button on the fence and easily move it to the desired position based on the digital display. However, we recommend equipping the T75 with the optionally controlled rip fence, which effectively supports the cutting width through quick and accurate positioning. The intuitive operation via the touchscreen control system reduces

dimensional errors and contributes significantly to perfect cutting results. The fence is intricately and accurately guided by four solid grooved ball bearings. This design ensures maximum durability and thus angular accuracy with constantly smooth running. The stable fence moves freely over the table without support and remains unaffected by dirt and chips on the table.



RadioCompens angle cutting system | T7550

Cross-cut fence with 2-point system.

All T75 PreX machines are fitted with the proven MARTIN 2-point cross-cut fence as standard, which allows workpieces to be aligned at two points along the fence extrusion. This is the only way to cut precise angles on slightly concave sections due to tensions in the panel. Thanks to the easy-to-read scale (due to built-in magnifier), and standard fine adjustment function for the inner stop element, cutting lengths of 255 – 2,025 mm can be set quickly and extremely precisely. Using the quick clamp you can quickly switch between measures and using the pull-out fence you can cut lengths up to 3,365 mm. If you prefer working with digital readouts, the T7540 digital cross-cut fence may be the right choice for you. Both the inner and outer stop use separate measuring devices and can be adjusted independently of each other to within a tenth of a millimetre. Read-outs can be switched to a relative measurement mode, which is especially helpful when making incremental cuts.

RadioCompens | T7551



Angle cutting system RadioCompens.

The RadioCompens innovative, patented angle cutting system vastly extends the possibilities of the mitre cross-cut table. The radio-based communication between cross-cut table, controller and stop elements reduces time-consuming setup times for angle cuts by up to 80%. You simply set the mitre cross-cut table to the desired angle and the electronic cutting length displayed on the cross-cut fence immediately shows you the correct length. Even the saw blade thickness is automatically taken into account and you always cut perfectly.



Sliding table | T7508/3



The T75 PreX sliding table.

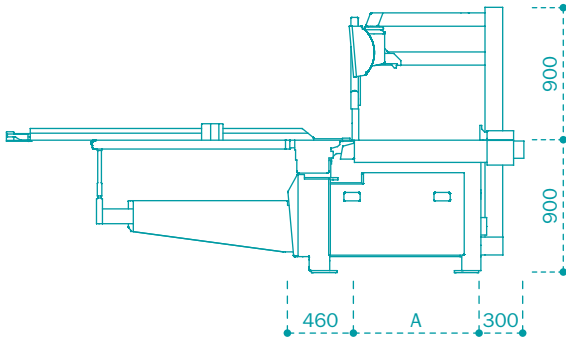
The MARTIN hardened steel guide system has been used as the sliding table guide since 1959. The unbeatable technical advantage of this system is the permanent smooth and precision guidance of the table. Some in our industry view the fact that the hardened steel guide strips are permanently lubricated in oil to be a disadvantage. On the contrary, it is a mark of quality as it is the only way to make sure that the surfaces are unaffected by dust and chips. The hardened guide strips are cleaned every time the operator strokes the table and is the only way to permanently ensure a smooth and easy movement of the sliding table over time. The table lip that is bolted to the main sliding table extrusion makes it easy to repair damage caused by deflected saw blades. The table can be locked down every 20 mm along the length of the machine.



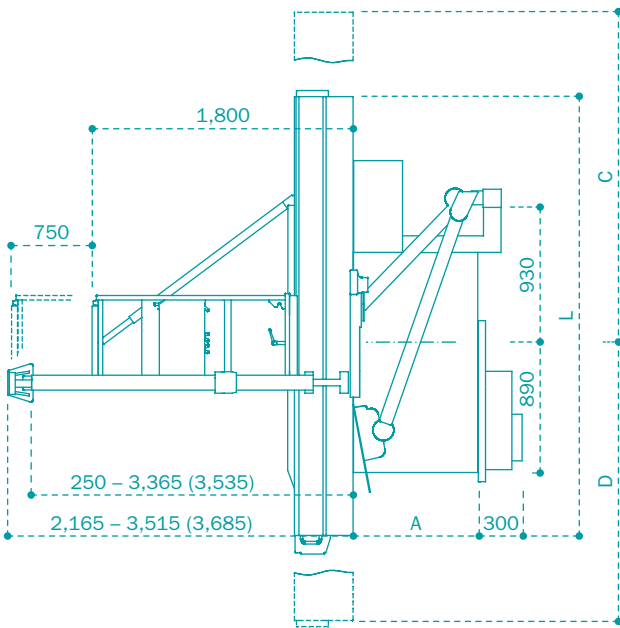
T75 PreX cross-cut fence with blow-out block.

The cross-cut fence of the T75 PreX was barely affected by doubling the tilting angle of the saw blade to 92°. You receive a high-quality cross-cut fence that can be pushed back to a safe position when you tilt the saw blade to the left. This way it makes room for the blade guard that now protects this space. Thanks to the clever design of the extension mechanism, its blow-out block can be used as backing plate regardless of where the fence is positioned. The T75's cross-cut fence has a perfect contact surface for short workpieces even if it is pushed back into the safety position. This way your cutting results are always perfect.

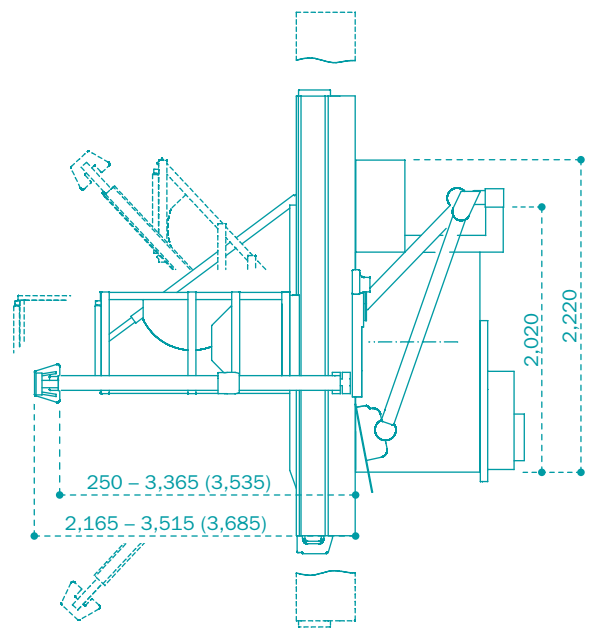
T75 PreX



T75 | Side view



T75 | Plan view



T75 | Plan view

A Cutting width

850
1,100
1,350
1,600

L Sliding-table length

1,900
3,000
3,300
3,700
4,300

Sliding cut

1,900 x 1,900
3,000 x 3,000
3,300 x 3,300
3,310 x 3,700
3,310 x 3700

C | D Movement range

2,500 | 2,400
3,600 | 3,500
3,900 | 3,800
4,300 | 4,200
4,900 | 4,800

Technical data	T65	T70	T75 PreX
Motor power optional	5.5 kW 7.5 kW 11.0 kW	5.5 kW 7.5 kW 11.0 kW	7.5 kW 9.5 kW 11.0 kW
Cutting height	204 mm	204 mm	204 mm +45°: 134 mm - 45°: 125 mm
Saw blade tilting range	46°	46°	± 46°
Saw blade diameter	550 mm	550 mm	550 mm
Speed optional	2,800 4,000 5,000 rpm –	2,800 4,000 5,000 rpm –	3,800 rpm 2,000 – 6,000 rpm continuous
Main saw blade change	ProLock	ProLock	ProLock
Blade thickness	max. 6 mm special tools up to 20.0 mm (0°)	max. 6 mm special tools up to 20.0 mm (0°)	max. 6 mm
Cutting width optional	850 mm 1,100 1,350 1,600 mm	850 mm 1,100 1,350 1,600 mm	850 mm 1,100 1,350 1,600 mm
Sliding table length optional	3.0 m 1.9 3.3 3.7 4.3 5.1 m	3.0 m 1.9 3.3 3.7 4.3 5.1 m	3.0 m 1.9 3.3 3.7 4.3 5.1 m
Control	5.7" touchscreen	10.4" touchscreen	10.4" touchscreen
Display resolution	0.1 mm 0.1°	0.1 mm 0.01°	0.1 mm 0.01°
Control panel	at eye level, inclined, 2x rotation	at eye level, inclined, 2x rotation	at eye level, inclined, 2x rotation
Cutting angle/height	controlled	controlled	controlled
Cutting width	manually, by scale with fine adjustment optionally by hand wheel including digital dimension indicator, controlled	controlled	manually, by scale including digital dimension indicator optionally controlled
Extraction connection	120 mm on frame 100 mm on guard	120 mm on frame 100 mm on guard	120 mm on frame 100 mm on guard
Weight	approx. 1,600 – 2,100 kg	approx. 1,600 – 2,100 kg	approx. 1,600 – 2,100 kg

The machines generate very little dust as per BGI 739-1 Annex 1.

All dimensions in millimetres. Manufactured in Germany.

Dimensions and specifications subject to technical innovation and may be changed without notice.

Illustrations may differ from the original. The binding technical features and equipment are given in the applicable price list.



Visit us at:

Website



Facebook



Instagram



YouTube



Brochure



Contact us at:

+49 (0) 8332 911 - 0

sales@martin.info

MARTIN