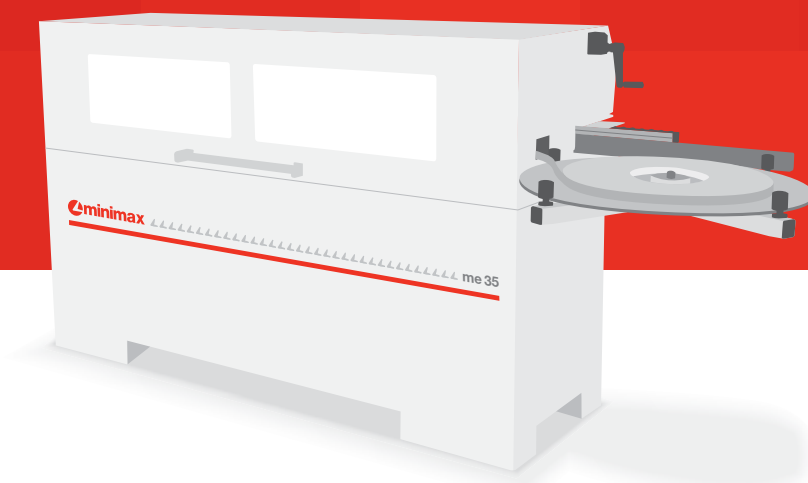




me 35

automatic **edge bander** with glue pot



me 35

automatic edge bander with glue pot

Ease-of-use with all inclusive equipment: me 35, with gluing of the panel edge, also with edging solid wood strips up to 5 mm thickness, offers the “very best” performance in edge banders at this level.

The features, coupled to its ease-of-use, makes it the perfect edge bander for small woodworking, furniture and panel processing companies.



EDGE BANDER		ME 35
Rollfeed edge thickness	mm	0,4 ÷ 3
Max. thickness of edges in strips	mm	5
Min. ÷ max. panel height	mm	8 ÷ 50
Min. panel length/width with rollfeed edges	mm	190/110
Feed speed	m/min	7

- design
- cutting
- edge banding**
- boring
- sanding
- assembling

me 35

technological advantages



toptech

PANEL MOVEMENT SYSTEM: DESIGNED FOR A PERFECT FINISH

The very best finishing of the panel edge is also guaranteed by the panel conveying track (exclusive solution), which prevents the panel having the feed affected by the typical pulses generated by the pinion of a traditional feed track and ensures a smooth and linear panel movement.



toptech

GLUING UNIT: SUPERIOR PERFORMANCE WHEN APPLYING ALL SOLID WOOD EDGES

It allows to apply all edges on panels with height from 8 to 50 mm: a real record in its category!



toptech

HIGH FREQUENCY MOTORS: MAXIMUM RELIABILITY AND PRECISION

These motors provide an optimal finishing level of the applied edge. Also, the absence of belts or other conventional driving systems prevents any vibration, making the units reliable and with high precision overtime.



“TOP” OF THE RANGE DEVICES

Exhaust outlets dedicated to: operating units for an optimal finish, glue pot unit for the best cleaning.

EXCEPTIONAL ACCESS

to all the operating units with the effective and noiseless protection hood.

PRECISION AND EASE-OF-USE:

a single handwheel with a numerical readout raises and lowers the pressure beam allowing the automatic positioning of the operating units according to the panel thickness.



CONTROL SYSTEM: SIMPLE AND INTUITIVE USE OF THE MACHINE

Error-free machining is ensured by the control positioned on the front of the machine, that allows an easy selection of all the main functions, among them, the operating units switching on and off. The PLC guides the operator during maintenance, cleaning, diagnostic operations, etc.



PANEL EDGE TRIMMING UNIT (ME 35 T): A PERFECT EDGE JOINT LINE

Panel edge surface without any imperfections before the gluing operation.

Utilises 2 tools with opposing rotation and timed intervention that, through the removal operation, corrects any panel imperfections caused by the saw cutting process and panel storage. The independent exhaust system and the air blowing device removes dust and chips from the panel.

- Widia cutters available as standard feature; diamond cutters available as optional device.
- N.4 different thickness removals: 0,5 / 1 / 1,5 / 2 mm.



GLUING UNIT: IDEAL EDGE APPLICATION

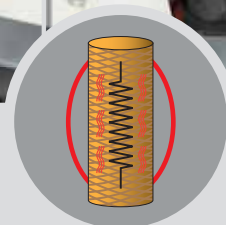
The glue is heated rapidly and evenly by the resistances.

The automatic lowering of the glue temperature after a temporary halt in production when using the machine avoids burning of the glue.

Two rollers press the edge banding evenly and efficiently on to the panel edge.



The glue spreading roller with electrical resistance inside provides a **uniform glue spread and always at the maximum working temperature** even on panels at the maximum working height.



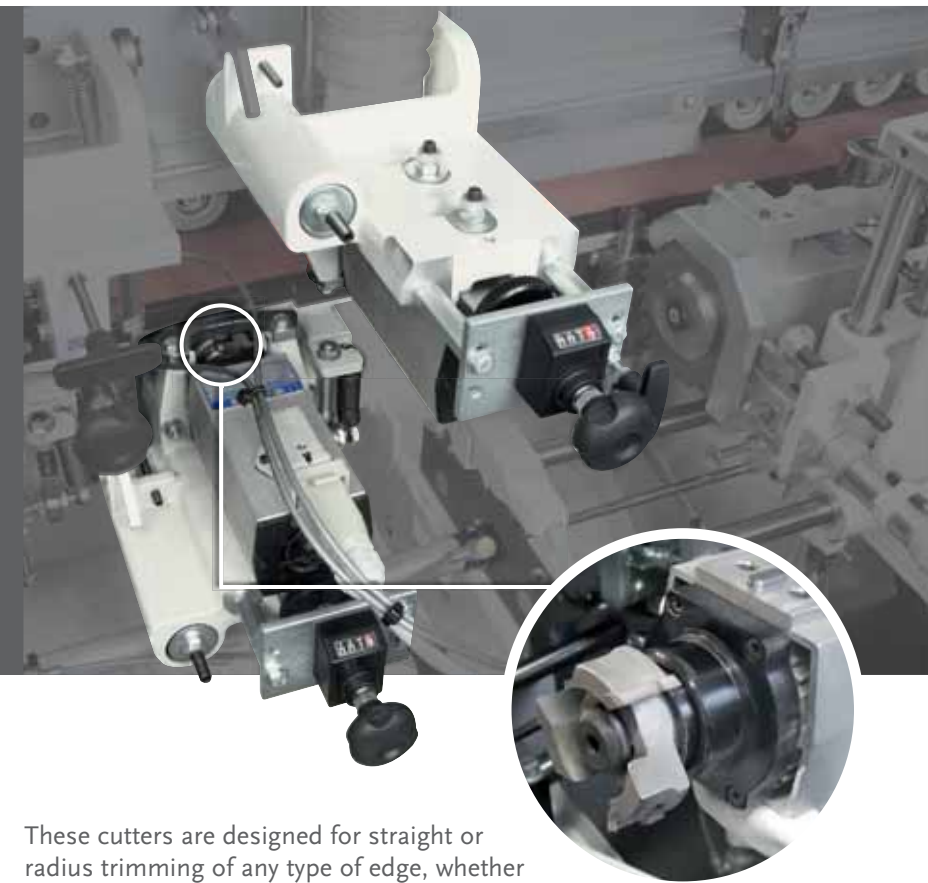
END CUTTING UNIT: ALWAYS PRECISE WHEN CUTTING

The unit is equipped with a blade and a high frequency motor to provide the **best finishing quality of the machined edge**. Furthermore, the absence of belts or other driving systems prevents any vibration assuring the **best results at all times**.



TRIMMING UNIT: QUALITY FINISH AND VERSATILITY

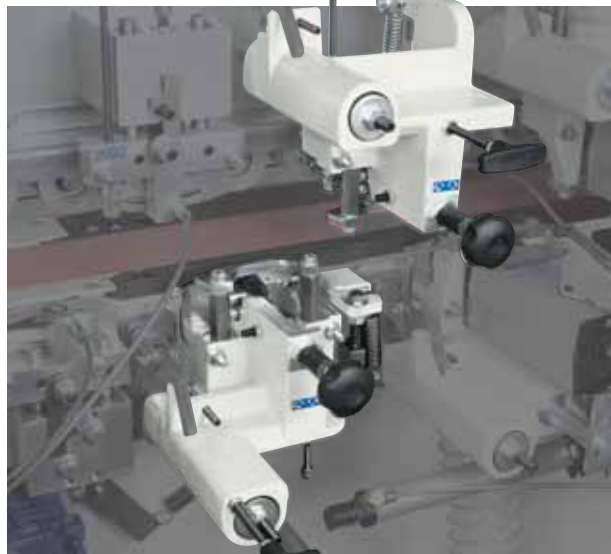
Very high edge quality finish with the front and vertical copying pads. The high frequency motors generate high cutter rotating speeds **reducing to a minimum any marks left from trimming** and guarantees the absence of vibration.



These cutters are designed for straight or radius trimming of any type of edge, whether it is thick or thin, made of PVC, ABS, melamine, laminate or wood. The edge thickness is easily set by means of two numerical readouts.

me 35

operating units and optional devices



EDGE SCRAPING UNIT: FOR A PERFECT RADIUS ON PVC/ABS EDGES

High finishing quality of plastic material edges due to the radius knives that ensure the complete elimination of any marks left from the trimming unit tools.

- User-friendly device for exclusion of the unit when it is not in use.



GLUE SCRAPING UNIT: PERFECT EDGE CLEANING

It eliminates any excess glue on the panel/edge joint.



BRUSHING UNIT

with tilted, vertically adjustable motors to optimise the cleaning/polishing action on the panel edge.



AUTOMATIC LOADING FOR EDGES IN STRIPS

The solid wood strips are automatically loaded and synchronised with the introduction of the panels into the machine.



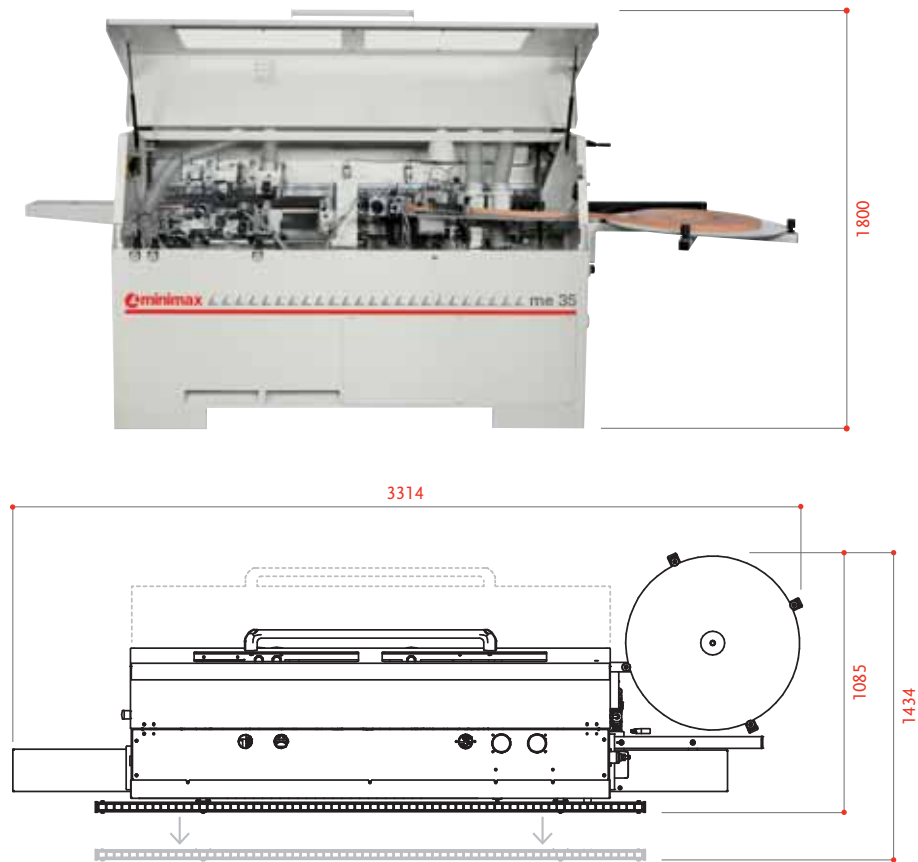
technical features

EDGE BANDER		ME 35
Worktable dimensions	mm	3000 x 525
Worktable height	mm	904
Rollfeed edge thickness	mm	0,4 ÷ 3
Max. thickness of edges in strips	mm	5
Min. ÷ max. panel height	mm	8 ÷ 50
Min. panel length/width with rollfeed edges	mm	190/110
Min. panel length cut only on the front	mm	120
Feed speed	m/min	7
Feed motor power (S1)	kW	0,55
Pneumatic operating pressure	bar	6,5
Operating temperature	°C	190
GLUE POT UNIT		
Motor power (S1)	kW	0,18
Glue capacity	kg	~ 0,8
Exhaust outlet diameter	mm	60
END CUTTING UNIT		
Motor power	kW	0,19
End cutting blade diameter (Z20)	mm	125
Blade rotation speed	rpm	12.000
TRIMMING UNIT		
Upper / lower motors power	kW	2 x 0,35
Widia cutters diameter (Z3)	mm	55,3
Cutters rotation speed	rpm	12.000
N. 2 exhaust outlets diameter	mm	60
PANEL EDGE TRIMMING UNIT (ME 35 T)		
Motor power (S1)	kW	2,2
Cutters rotation speed	rpm	9.000
Cutters diameter	mm	80
Cutters height	mm	56
Removal	mm	0,5/1/1,5/2
N. 2 exhaust outlets diameter	mm	80
BRUSHING UNIT (OPT.)		
Motors power (S1)	kW	2 x 0,14
Brush rotation speed	rpm	2800

me 35

ME 35

dimensions



ME 35

available compositions

ME 35	1/2	1					
ME 35 T	1/2	1					

1/2 free space for glue scraping unit or brushing unit
1 free space for edge scraping unit or glue scraping unit

NOTE: It is not possible to install simultaneously 2 glue scraping units

Noise level according to the reference standard
EN 1218-4:2004 A2:2009.

The motors powers in this catalogue are expressed in S6-40%, except where otherwise specified. In this catalogue, machines are shown in CE configuration and with options. We reserve the right to modify technical specifications without prior notice, provided that such modifications do not affect safety as per CE norms.



- scm**
- minimax**
- scm tecmatic**
- scm**
- routech**
- celaschi**
- dmc**
- superfici**
- sergiani**
- gabbiani**
- morbidelli**
- mahros**
- stefani**
- cpc**
- sag**
- scmgroup engineering**
- delmac engineering**
- scmfonderie**
- steelmec**
- hiteco**
- es**
- csr**
- CMS Cms wood technology**
- CMS Cms advanced materials technology**
- CMS Brembana stone technology**
- CMS Brembana glass technology**
- CMS CmsPlast plastic technology**
- CMS Tecnocut waterjet technology**
- CMS Balestrini**

1 large integrated group
18 production sites
27 specialist brands
20 foreign branches
more than 50 years in business
80% exports
350 agents and distributors
390 registered patents
500 engineers
3.000 square metres showroom
10.000 classical and professional machines made per year
240.000 square metres of production space

scmgroup
passion **technology** performance



www.scmgroup.com/qrcode/v1/



www.scmgroup.com/it/mission_minimax



**SCM INDUSTRIA SPA
PROFESSIONAL WORKSHOP MACHINERY**

via Valdicella, 7 - 47892 Gualdicciolo - Repubblica San Marino

sales dept. Italy:

tel. +378 0549 876911 - fax +378 0549 999604

foreign sales dept.:

tel. +39 0541 674111 - fax +39 0541 674273

minimax@scmgroup.com

COMPANY OF THE SCM GROUP

registered office:

via Emilia, 77 - 47921 Rimini - Italia

tel. +39 0541 700111 - fax +39 0541 700232

sales office:

via Casale, 450 - 47826 Villa Verucchio (Rimini)

tel. +39 0541 674111 - fax +39 0541 674273

scmgroup@scmgroup.com



00L0175245B