

• OUR MANUFACTURING PROGRAM •

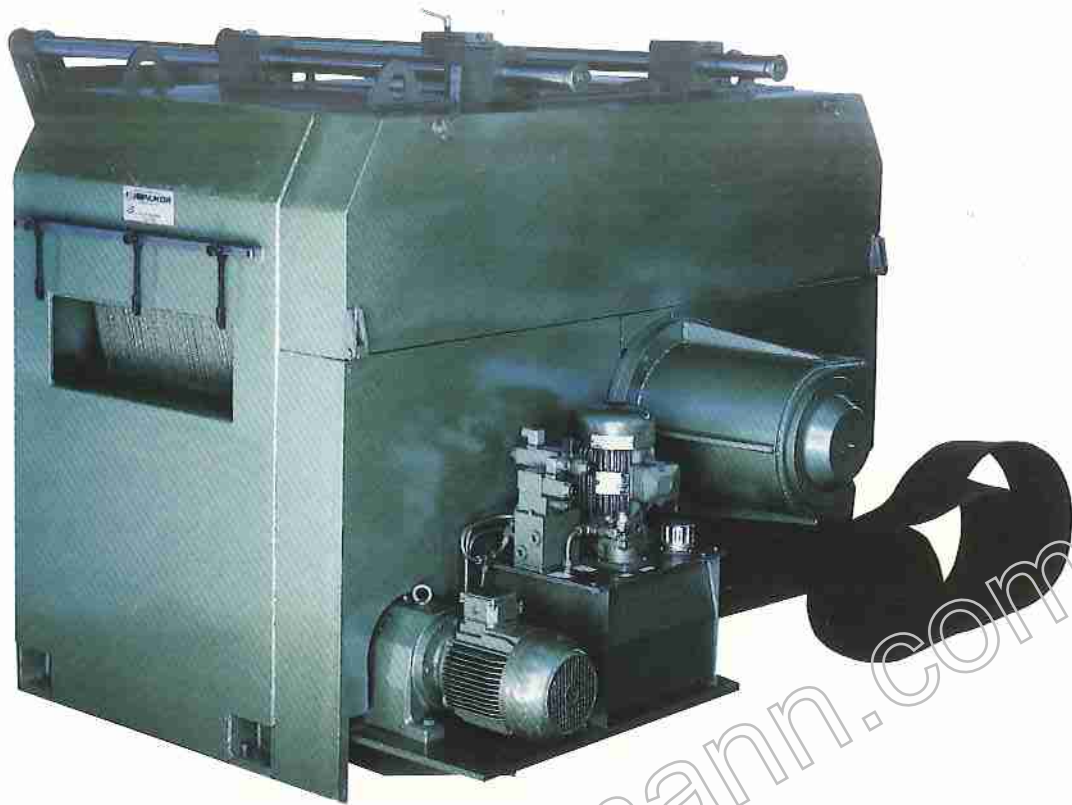
HEAVY DUTY SINGLE ARBOR MULTIRIP SAW NMR 60/18

- Robust construction
- Trouble free operation
- Totally enclosed execution
- Top roller lift remote controlled by single lever switch
- Top roller lift electro hydraulically operated
- Controlled top roller pressure
- Heavy duty anti-kickback device
- Built on saw sleeve extraction unit

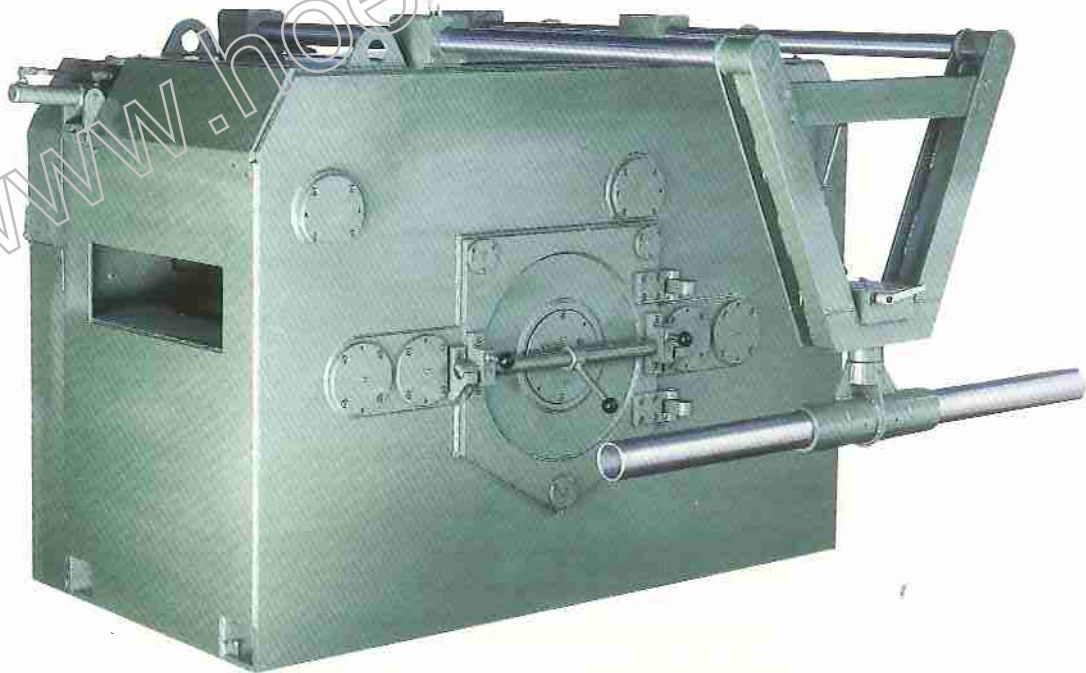
A MEMBER OF THE NUKOR GROUP

 **NUKOR** SAWMILLING
(PTY) LTD

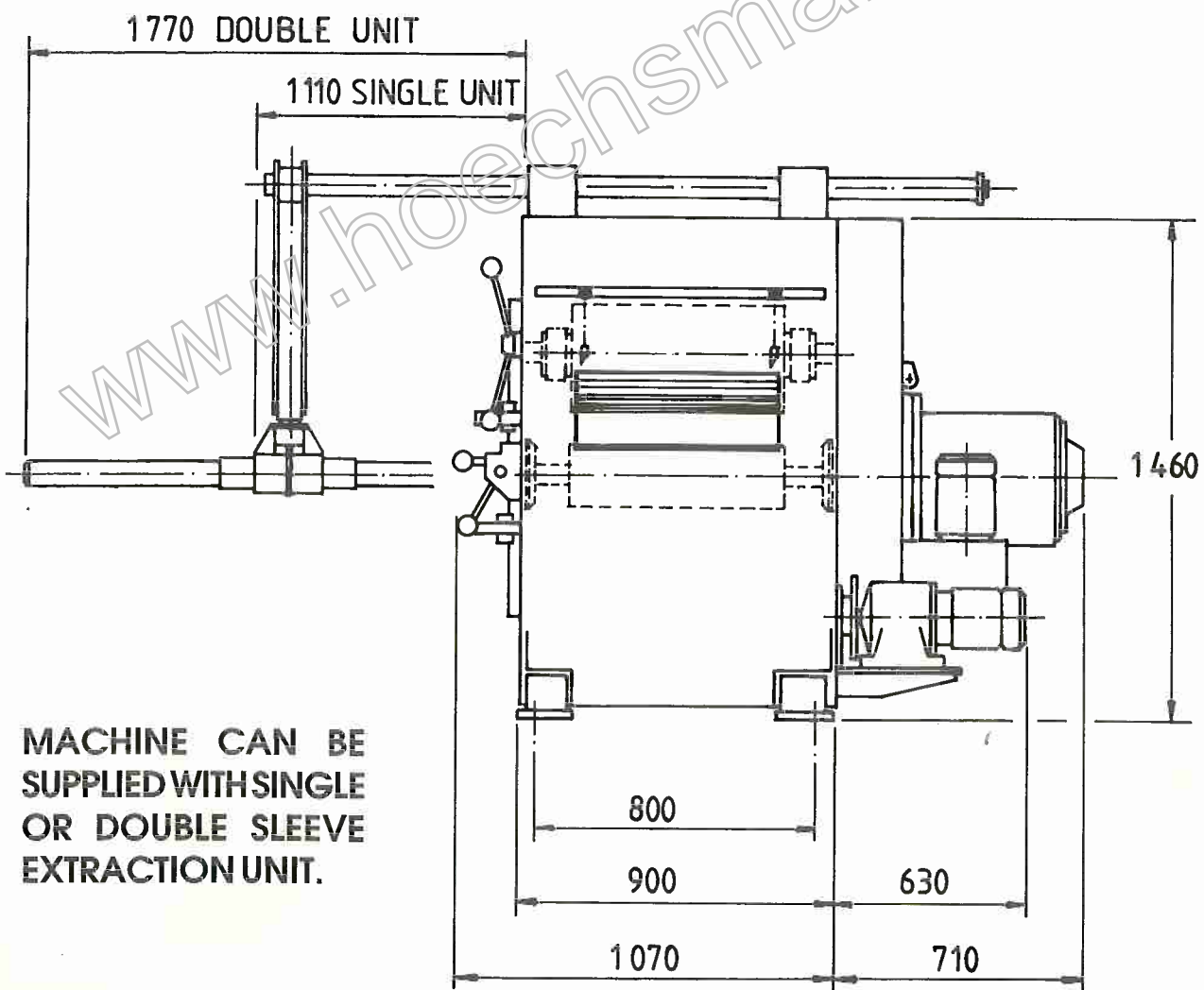
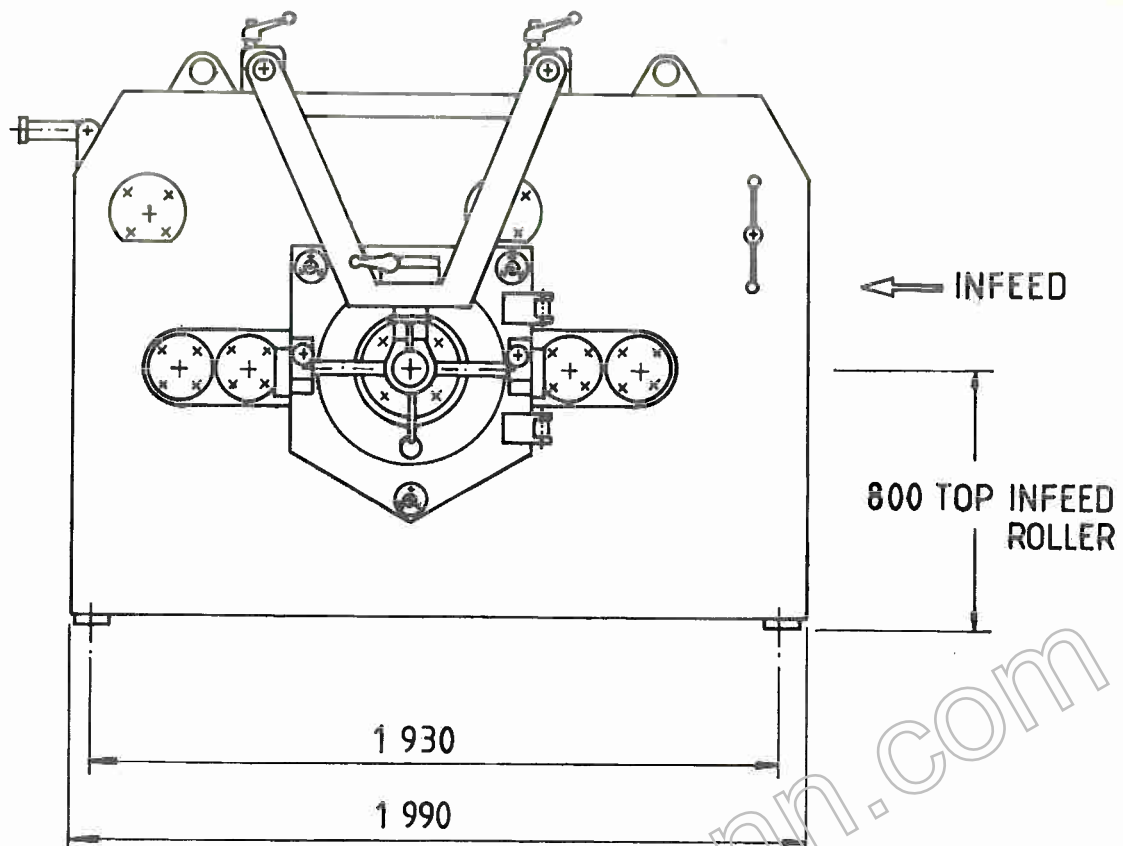
Nukor House, 92 Op de Bergen Street, Fairview, Johannesburg • P.O. Box 3456, Johannesburg 2000.
Telephone (011) 624-1500/9 • Telex 4-85625 SA • Fax (011) 614-2848



Drive arrangement



Access door with tapered sleeve.



MACHINE CAN BE SUPPLIED WITH SINGLE OR DOUBLE SLEEVE EXTRACTION UNIT.

SPECIFICATION

Max cutting width	500 mm
Max. sawblade dia.	600 mm
Max. cutting depth	180 mm
Max. passage width	600 mm
Weight	3700 kg
Hydraulic roller pressure	1,5 kW power pack
Drive motor (optional) up to	200 kW max.
Feed drive	4 kW
Feed speed	30 or 40 m/min (or on application)

This brochure shows authentic photographs of Nukor equipment.
However Nukor reserves the right to change the design
and technical data.

The machine illustrated in this brochure is a right hand machine.