

7 great reasons to invest in the future - the panel rip and crosscut saw V91 twin II



Tilt: -45.5° up to + 45.5°

Positive and negative angle can be carried out using the PANHANS V 91 twin II in a fixed workpiece position. The wood does not need to be reversed, saving time and effort.

The visible side of the workpiece remains on top, independent of the inclination the blade is following.

This guarantees tear-free work in every case. Compound cuts become child's play.



Guide: maintenance-free double sliding table principle

Two interlocking thick-walled aluminium profiles distinguish the PANHANS sliding table. Exactly worked and tension-free screwed, hardened and polished steel guides guarantee a maximum ease of motion and precision.

Premium components are exactly matched.

The PANHANS aluminium double sliding table principle works reliably without oil film or other high-maintenance functioning parts.

The encapsulated construction and functional wiper on the guide rod shade from dust.



Swiveling: no hood change - only swivel

The PANHANS V 91 twin II needs no hood magazine! The standard protective hood can be swung easily and can thus be adjusted to different saw blade positions.

Shifted protective hoods are a thing of the past.



Control: the centre of power

A 17" touch screen monitor and a few overseeable operating buttons control all functions.

The Windows-based software is up to date and is constantly updated.

The simple, intuitive menu guidance largely excludes improper operation.



Motion: vibration-free tilt drive

A powerful motor, a precise spindle drive and hardened, precisely working guides position the saw unit exactly in the desired position.

Belts, chains, and other elements that could have too much play have no place here.

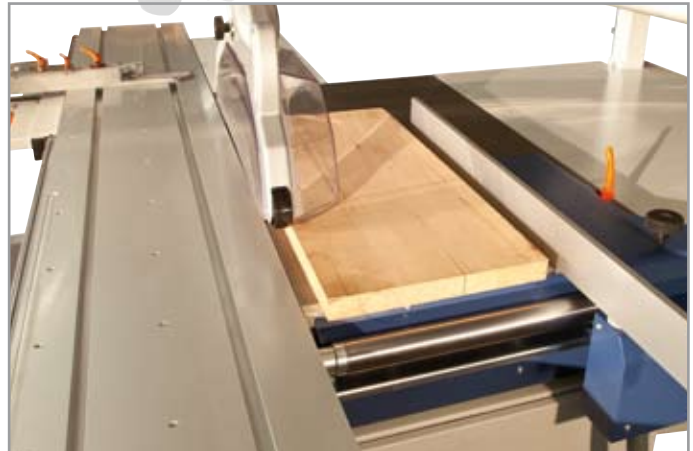
The PANHANS principle cannot be beat with its accuracy and is absolutely maintenance-free.



Rotation: stepless speed

The drive of the V 91 twin II makes speeds from 1000 to 6000 rpm in the standard version.

Clean and highly precise cuts for all material combinations and blade designs are guaranteed.



Protection: Safety-System at the rip fence

Safety is a large factor in the rip fence. The electronically controlled drive motor recognizes persons or objects between the stop and the machine table and stops adjustment processes during risk.

Injuries or damages to the machine and workpiece are excluded.

V 91 twin II Panel rip and crosscut saw



The saw blade tilts - the workpiece does not turn

When working with the panel saw V 91 Twin II, the user does not need to adjust to the workpiece; the machine does that itself. Its solid construction and powerful motor once again underscore the PANHANS brand's competence in the panel saw area. The cutting height in the 0° position of the saw blade (90°) is 172.5 mm and even in its oblique position, cutting heights from 90mm (at -45.5°) and 120 mm (at +45.5°) are possible. Workpieces in compound cuts can therefore be processed easily. Additional devices are therefore only required in exceptional cases.

Standard at no extra charge

„Work carefully, efficiently, and safely“ - the philosophy of Hokubema designers. Corresponding qualities and functional parts are therefore also included in the V 91 twin II.



Rotatable multifunction protective hood, patented

Simply turn, no rebuilding or replugging



17" colour touch screen

with Windows operating system and intuitive operation



APA-saw blade quick-clamping system

on the main saw blade

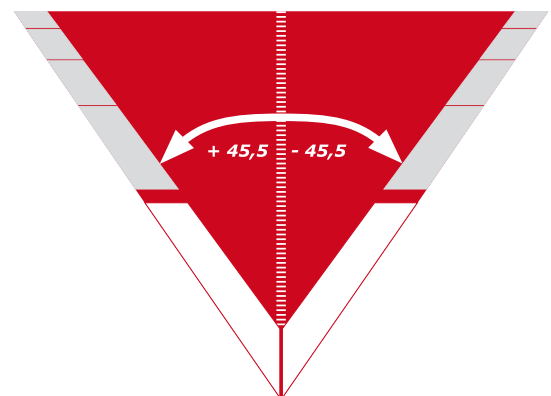
The panel saw with a wide range of uses

The panel saw V 91 twin II is predestined for comfortable and economical work on the basis of its characteristics.

Twin II is a comprehensively equipped user package with controlled parallel stops and perfect mitre cut-length-compensation (Super-Gehrfix) as well as stepless speed regulation.



Mitre fence and longitudinal fence SUPER-GEHRFIX I
with autom. length equalization



Comfort clamping for crosscut fence
self-stopping, tool-less connector system



Mitre auxiliary stop
the problem solver when creating sharp and blunt mitres

V 91 twin II Panel rip and crosscut saw



Mitre fence and longitudinal fence SUPER-GEHRFIX II
 Unique stop, developed with practitioners
 Infinitely variable degree settings 1/100° using an LCD display
 Enable the finest miters with automatic length compensation.



Tele-Digit
 digital, wireless measurement indicator for crosscut fence
 Advantages: switchable displays for both flip stops

Upon request - even more power

Additional functioning parts and devices are available optionally for PANHANS V 91 twin II.

They are carefully adapted for the panel saw.



Swing away device for crosscut table
 Fast and ergonomic sliding into the park position



Scoring unit with electronic parking system AUTO-EPS
 no contamination of the scoring saw blade in the park position, easy installation of main saw blades > 350 mm with installed scoring saw blade



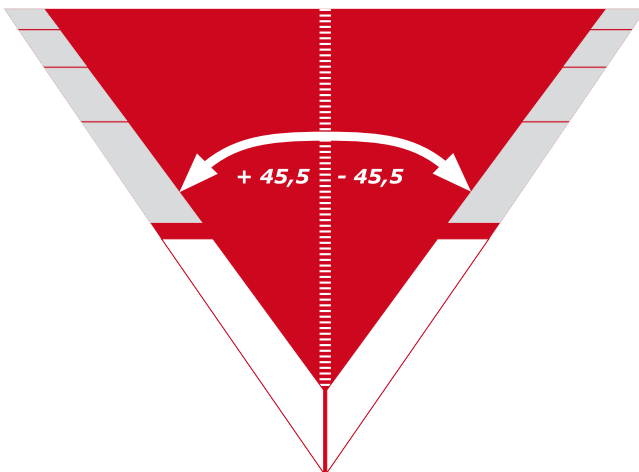
QuickStep scoring saw blade
 tool-free adjustment of the scoring width in the 0.05 mm grid system



Parallel stop left from the saw blade
to cut long and narrow pieces



Additional support for large panels



Si-Tec offers even more

Si-Tec is in the PANHANS program for functional and accessory parts, which make standard machines by Hokubema and other manufacturers more economic and, above all, safer.

The products available for the V 91 twin II can be viewed in the separate brochure Si-Tec - Safety Technology.



Remote stop for sliding table



Laser light

V 91 Twin II

Technical data

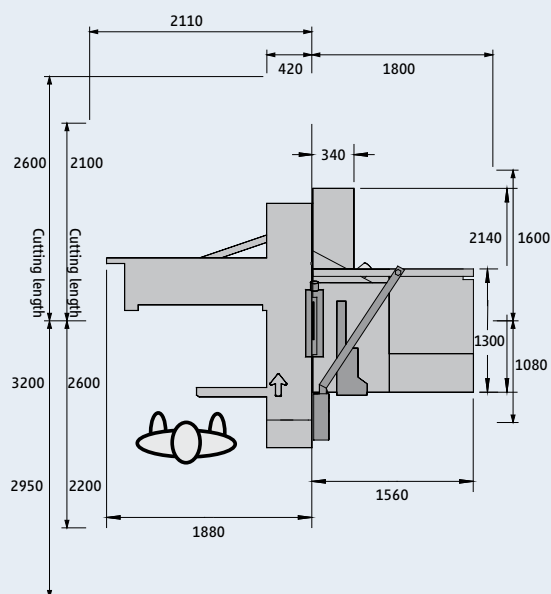
• Tilting range	+45.5 / -45.5°
• Saw blade diameter max.	500 mm
• Cutting height max.	172.5 mm
• Speed	steplessly adjustable
• Cutting length	3200 mm
• Cutting width right from the saw	1250 mm
• Motor power	7.5 kW
• Voltage	400 V / 50 Hz
• Main saw blade sitting ø	30 mm
• Table dimensions	685 x 1200 mm
• Table height	875 mm
• Length stop extendable to	3100 mm
• Suction hood	120 / 80 mm
• Space requirement	5700 x 5500 mm
• Net weight	1300 kg

The technology

- Stepless speed regulation 1000 - 6000 rpm
- 17" touch screen positioning control
 - for electric height and tilt adjustment as well as electronically positionable rip fence
 - in the overhead switch cabinet, including swiveling circular saw protective guard and comfort table extension
- Calibration device for the automatic calibration of the digital display for height adjustment, for the quick adjustment of the cutting height
- Super-Gehrfix I, mitre fence and longitudinal fence with autom. length compensation
- Mitre auxiliary stop
- APA saw blade-quick clamping system
- Comfort clamping for crosscut fence
- Height adjustment via a double column guide
- Crosscut table with extendable fence (usable on both sides)
- Table extension
- Automatic soft start via the star-delta drive
- Automatic motor brake

Other versions are available on request under Technical Changes.

Dimensions mm



- The control software for the format circular saw V 91 twin II is being constantly developed and expanded.

Updates will be available at regular intervals.
The updates will occur on-site, directly on the machine, via a USB interface.

The figures also show special accessories that are not included in standard delivery. Standard equipment is in accordance with the valid price list.

Drilling

Sawing

Shaping

Planing

HOKUBEMA

HOKUBEMA
Maschinenbau GmbH

Anton-Günther-Straße 3 - 7
D-72488 Sigmaringen

Phone +49 7571 755-0
Fax +49 7571 755-222

www.hokubema-panhans.de
info@hokubema-panhans.de