

## RS 2000

## Universal Tool and Cutter Grinder

- Economical
- Versatile
- Sturdy
- Transportable
- Easily convertible
- High accuracy
- Low service requirements
- Easy handling



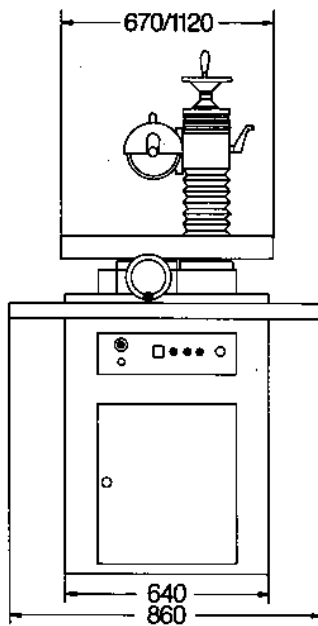
### Grinding machine with steel frame

RS 2000/1 with clamping table 670 mm  
 RS 2000/2 with clamping table 1120 mm  
 Weight: approx. 400 kgs

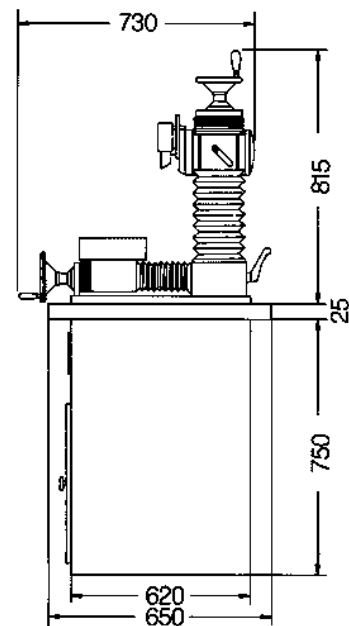
**Motor:** Max. rpm. 2710  
 0,9 kW, 230/400 VAC, 50 Hz  
 Rotation right and left  
 Motor pivoted 90-0-90°  
 Vertically adjustable 350 mm

### Work table:

Longitudinal slide: 300 mm or 640 mm  
 Cross slide: 180 mm  
 Vertical column turns 360°



Front view



Side view

## RS 2000

## Standard Accessories

RS 2000/060	Sleeve 40/30 mm
RS 2000/061	Sleeve 50/30 mm
RS 2000/200	High-grade corundum grinding disc Ø 150 mm
RS 2000/131	Lubricant grinding unit
RS 2000/130	Counterbearing

RS 2000

Optional [accessories](#)

For the grinding of	
<a href="#">RS 2000/080</a>	Grooving cutters in sets, face and top
<a href="#">RS 2000/080</a>	Cutters for slots and tenons
<a href="#">RS 2000/080</a>	Cutters with counterbearing (mini finger joint cutters)
<a href="#">RS 2000/100</a>	TCT sawblades Ø 100 - 500 mm manual
<a href="#">RS 2000/101</a>	TCT sawblades Ø 120 - 500 mm automatic
<a href="#">RS 2000/103</a>	TCT sawblades with hollow teeth
<a href="#">RS 2000/070</a>	Planerknives up to 640 mm in length
<a href="#">RS 2000/046</a>	Planerheads w/o dismantling the knives
<a href="#">RS 2000/110</a>	Doweldrills, single and double flute routercutters
<a href="#">RS 2000/120</a>	Mortise chains all pitches
<a href="#">RS 2000/090</a>	Profiling blank knives
<a href="#">RS 2000/141</a>	Transmission for 7000 rpm.
<a href="#">RS 2000/113</a>	Helicoidal boring bits with v-point
<a href="#">RS 2000/134</a>	Hook and cutting angle gauge

RS 2000

Detail picture

